

7

6

5

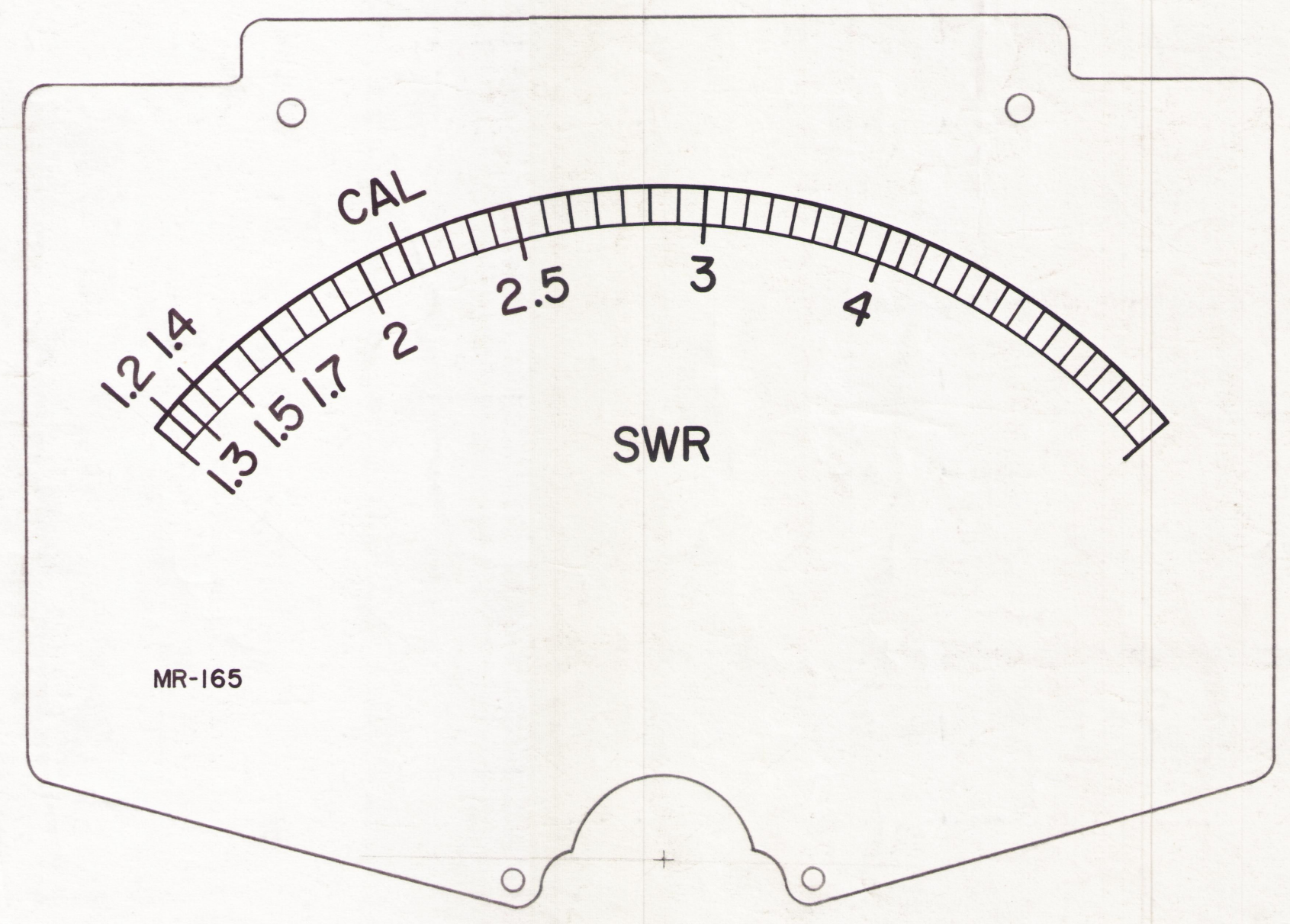
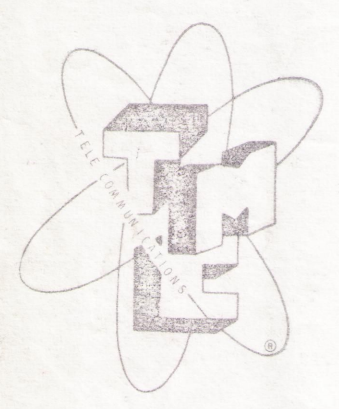
4

3

2

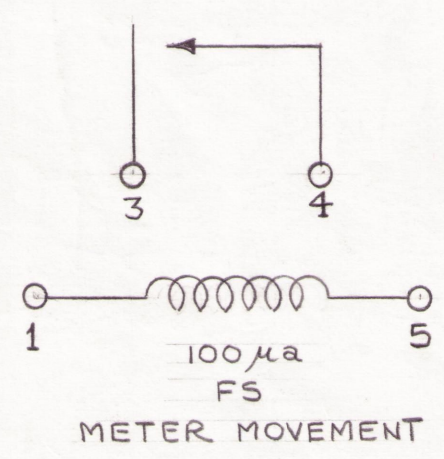
1

REVISIONS						
ZONE	SYM	DESCRIPTION	DATE	E.M.N. NO.	DRAFT	CHKD
#	O	ORIGINAL RELEASE FOR PRODUCTION	5/27/64	0	A.M.	
C6	A	CIRCUIT DIAGRAM WITH NOTES 1 & 2 ADDED	7.30.64	11984	WB	WB
C4	B	ON NOTE 1, TERMINALS WERE 2 & 3	10.26.64	12772	WB	WB
C5	C	ADDED "MAX CONTACT RATING" TO NOTE 1	8/24/64	16796	ED	ED

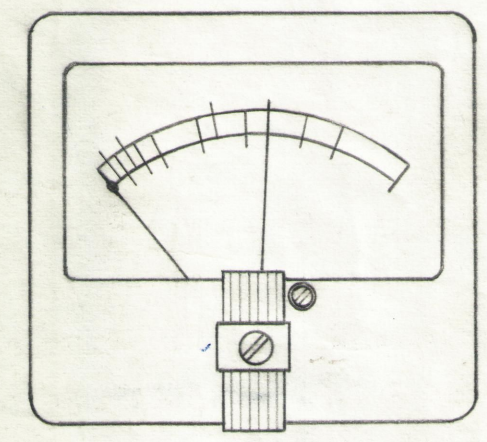
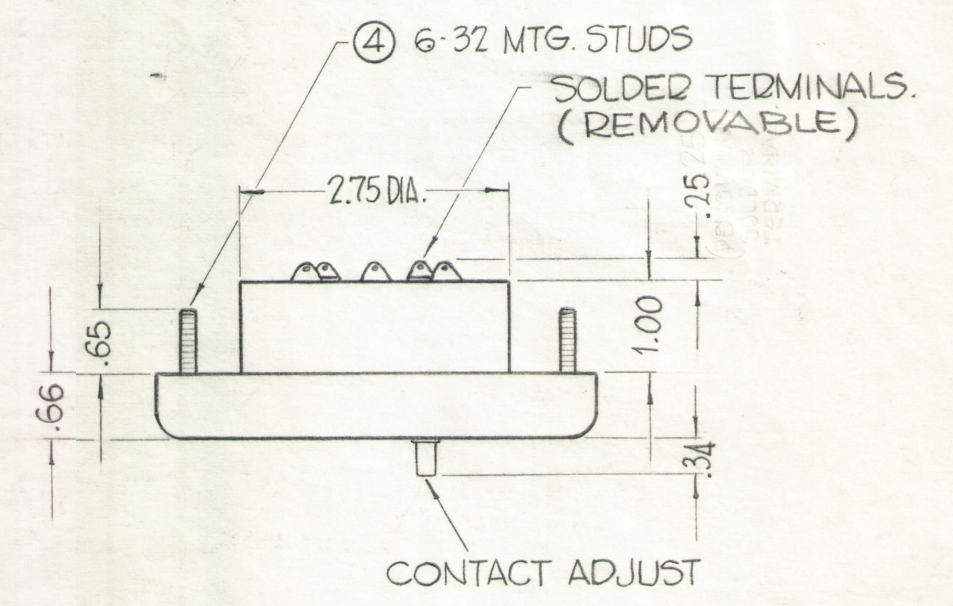
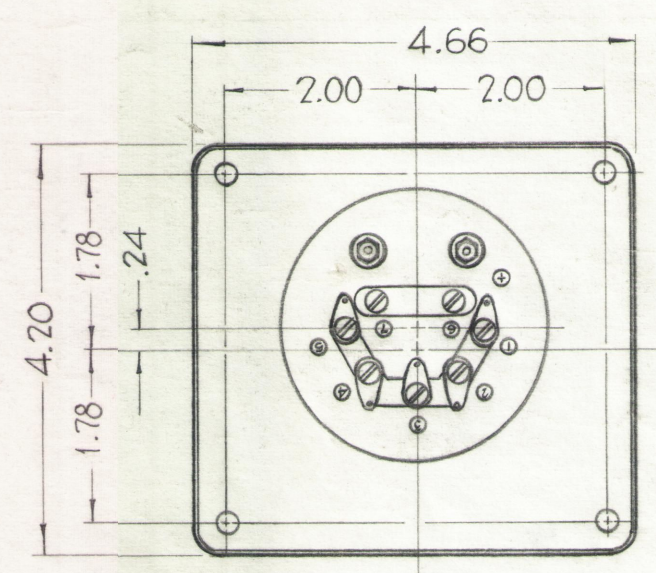


INSERT TMC INSIGNIA, (NP-117) IMMEDIATELY BELOW WORD "SWR", CENTERED TO BOTTOM.

SCALE = 2X



- NOTE:**
- ① CIRCUIT BETWEEN TERMINALS 3 & 4 SHOULD CLOSE WHEN BLACK POINTER TOUCHES RED POINTER. MAXIMUM CONTACT RATING: 15VDC @ 10MA RESISTIVE OR DIODE PROTECTED INDUCTIVE LOAD
 - ② THERE SHOULD BE AN OPEN CIRCUIT IN ALL POSITIONS BETWEEN TERMINALS 3 & 1 OR 5.



CASE - STANDARD COMMERCIAL RECTANGULAR 4-1/2".
 FINISH - GLOSSY BLACK. MODEL - NO. 29XA.
 MOVEMENT - 0-100 MICROAMPS. DC
 APPROXIMATE RESISTANCE - 1800 Ω
 POINTEDS - SPADE TYPE, KNIFE EDGE.
 ADJUSTMENT - UPPER CONTACT ADJUSTMENT.

HARDWARE - ④ LOCKWASHERS, ④ 6-32 HEXAGON NUTS, FOR MTG. (SUPPLIED BY MFG.)

REQ'D.	ITEM	PART NUMBER	DESCRIPTION	SYMBOL
F. BUDETTI LIST OF MATERIAL				
MATERIAL			THE TECHNICAL MATERIEL CORP. MAMARONECK, NEW YORK	
FINISH			TITLE METER, RELAY SWR	
UNLESS OTHERWISE SPECIFIED DIMENSIONS ARE IN INCHES AND INCLUDE CHEMICALLY APPLIED OR PLATED FINISHES			DRAWN John C. Biele DATE 12-10-62	
DECIMALS .X ± .05 .XX ± .01 .XXX ± .005			CHECKED aa DATE 3/21/64	
FRACTIONS ± 1/64 ANGLES ± 0° 30'			ELECT. DES. WB DATE 3/21/64	
TOLERANCES			MECH. DES. WB DATE 3/21/64	
THE CONTENTS OF THIS DRAWING ARE THE EXCLUSIVE PROPERTY OF THE TECHNICAL MATERIEL CORP. ITS UNAUTHORIZED USE OR REPRODUCTION IN WHOLE OR IN PART IS STRICTLY FORBIDDEN.			FINAL APPROVAL RJC DATE 3/21/64	
NOTES			SHEET MR-165 C	
			REV. LTR.	

MD-165 0