

7

6

5

4

3

2

1

H

G

F

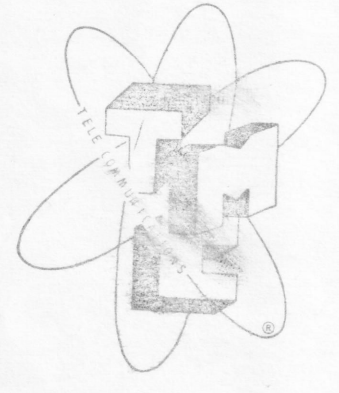
E

D

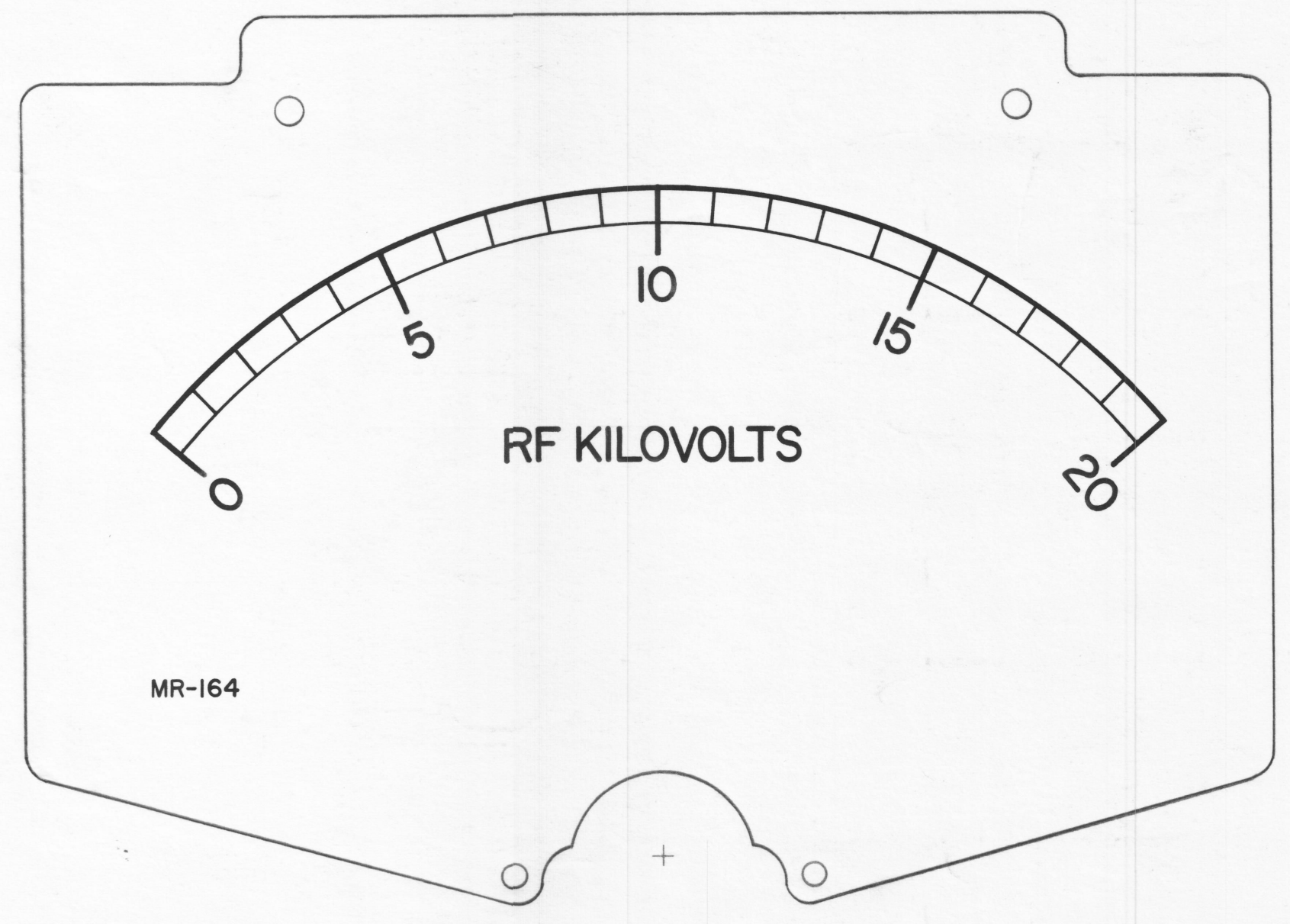
C

B

A



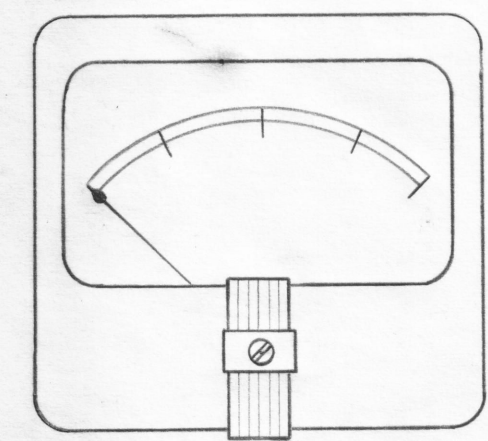
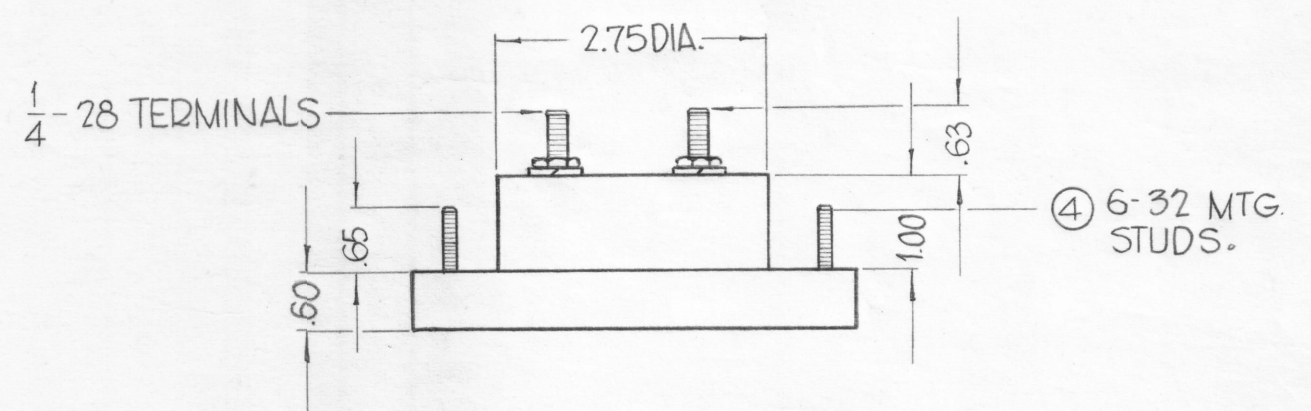
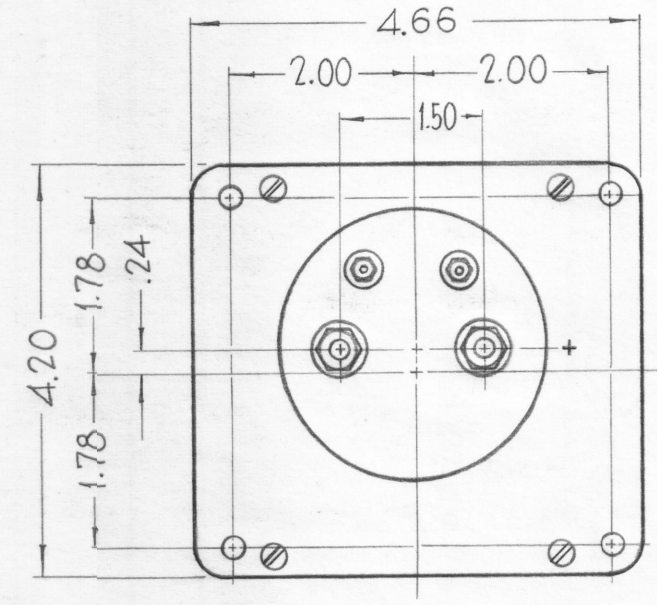
INSERT TMC INSIGNIA,  
(NP-117) IMMEDIATELY  
BELOW WORDS "RF KILOVOLTS"  
CENTERED TO BOTTOM.



SCALE = 2X

ORIGINAL ARTWORK TO BE SUPPLIED BY TMC  
FOR PHOTOGRAPHING (SCALE AS NOTED)

REVISIONS							
ZONE	SYM	DESCRIPTION	DATE	E.M.N. NO.	DRAFT	CHKD	APPD
	0	ORIGINAL RELEASE FOR PROD	5/12/64				



MR-164 0

CASE - STANDARD COMMERCIAL RECTANGULAR 4-1/2".  
FINISH - GLOSSY BLACK.  
MOVEMENT - 0-200 MICRO-AMPS DC  
APPROXIMATE RESISTANCE - 1000 Ω  
POINTED - SPADE TYPE

HARDWARE - ④ LOCKWASHERS, ④ 1/4-28 HEXAGON NUTS, FOR TERM.  
④ LOCKWASHERS, ④ 6-32 HEXAGON NUTS, FOR MTG.  
(SUPPLIED BY MFG.)

1	GPT-200K	AM-118
Q'TY./UNIT	MODEL USED ON	ASS'Y. NO.
SCALE	CODE	
AS NOTED	A	

THE CONTENTS OF THIS DRAWING ARE THE EXCLUSIVE PROPERTY  
OF THE TECHNICAL MATERIEL CORP. ITS UNAUTHORIZED USE OR  
REPRODUCTION IN WHOLE OR IN PART IS STRICTLY FORBIDDEN.

REQ'D.	ITEM	PART NUMBER	DESCRIPTION	SYMBOL
F. BUDETTI LIST OF MATERIAL				
MATERIAL			THE TECHNICAL MATERIEL CORP. MAMARONECK, NEW YORK	
FINISH			TITLE VOLTMETER, PLATE RF	
UNLESS OTHERWISE SPECIFIED DIMENSIONS ARE IN INCHES AND INCLUDE CHEMICALLY APPLIED OR PLATED FINISHES		DRAWN John C. Biele	DATE 12-12-62	FINAL APPROVAL RDE
DECIMALS .X ± .05 .XX ± .01 .XXX ± .005		CHECKED	DATE	
FRACTIONS ± 1/64 ANGLES ± 0° 30'		ELECT. DES. JCB	DATE 4/8/64	MR-164
TOLERANCES		MECH. DES. RDE	DATE	0
			SHEET	REV. LTR.

NOTES