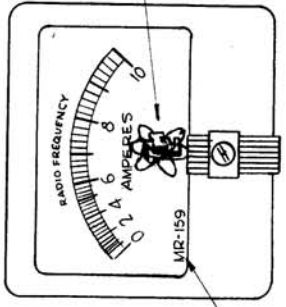
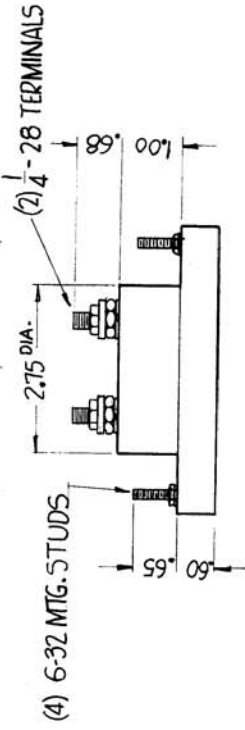
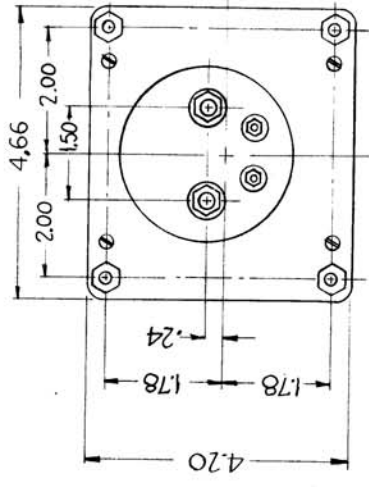


THE CONTENTS OF THIS DRAWING ARE THE EXCLUSIVE PROPERTY OF THE TECHNICAL MATERIEL CORP. ITS UNAUTHORIZED USE OR REPRODUCTION IN WHOLE OR IN PART IS STRICTLY FORBIDDEN.



MR-159

NOTES

CASE ~ STANDARD COMMERCIAL RECTANGULAR 4 1/2" CASE SIZE #39 w/ INTERNAL THERMOCOUPLE.
 FINISH ~ GLOSSY BLACK
 RANGE ~ 0-10 AMPERES RF
 MATCHED WITHIN 2%
 POINTER ~ SPADE TYPE
 HARDWARE ~ (2) FLAT WASHERS, (4) 1/4-28 HEXAGON NUTS FOR TERMINALS, (2) LOCKWASHERS, (4) 6-32 HEXAGON NUTS & (4) 6-32 SLIT LOCKWASHERS SUPPLIED BY MANUFACTURER.

(4) 6-32 MTG. STUDS

(2) 1/4-28 TERMINALS

INSERT TMC
 IN SIGNIA (NP-117)
 (BLACK) IMMEDIATELY
 BELOW WORD "AMPERES"

TMC PART NUMBER

PROPERTY OF THE TECHNICAL MATERIEL CORPORATION

PROPERTY RIGHT IN THE MATERIAL DISCLOSED HEREON. THIS DRAWING IS ISSUED IN CONFIDENCE FOR ENGINEERING INFORMATION ONLY AND MAY NOT BE REPRODUCED OR USED TO MANUFACTURE ANYTHING OTHER THAN HEREON WITHOUT PERMISSION FROM THE TECHNICAL MATERIEL CORPORATION TO THE AGENY. THIS DRAWING IS LOANED FOR MUTUAL ASSISTANCE AND IS SUBJECT TO RECALL AT ANY TIME.

Property of:

THE TECHNICAL MATERIEL CORPORATION
 MAMARONECK, NEW YORK

SYM	DESCRIPTION	DATE	CH. NO.	DRAFTS	CHECKER	ENG. APP.
	UNLESS OTHERWISE SPECIFIED: DIMENSIONS ARE IN INCHES TOLERANCES ON FRACTIONS ± 1/64 DECIMALS ± .005 ANGLES ± 1/2°					
	SCALE: DO NOT SCALE MAXIMUM ALLOWABLE TOLERANCES HAVE BEEN DETERMINED AND ANY DEVIATIONS WILL BE CAUSE FOR REJECTION. REMOVE ALL BURRS AND SHARP EDGES					

2	TMA-40K	1-3-62
REQ. PER UNIT	MODEL	DATE
	SECTION	
	ASSTY. NO.	
USED ON		

REQ. ITEM	PART NO.	DESCRIPTION	SYMBOL
	STOCK SIZE	THE TECHNICAL MATERIEL CORP. MAMARONECK, NEW YORK	
	MATERIAL	METER, RF, 0-10 AMPERES	
	TYPE & TEMPER	DRAWN: R. J. ZED	FINAL APPROVAL: S.F.M.
	HEAT TREAT. SPEC.	CHECKED: S.B.S.	
	FINISH & SPEC. NO.	ELEC. DES. APP. MECH. DES. APP.	MR-159