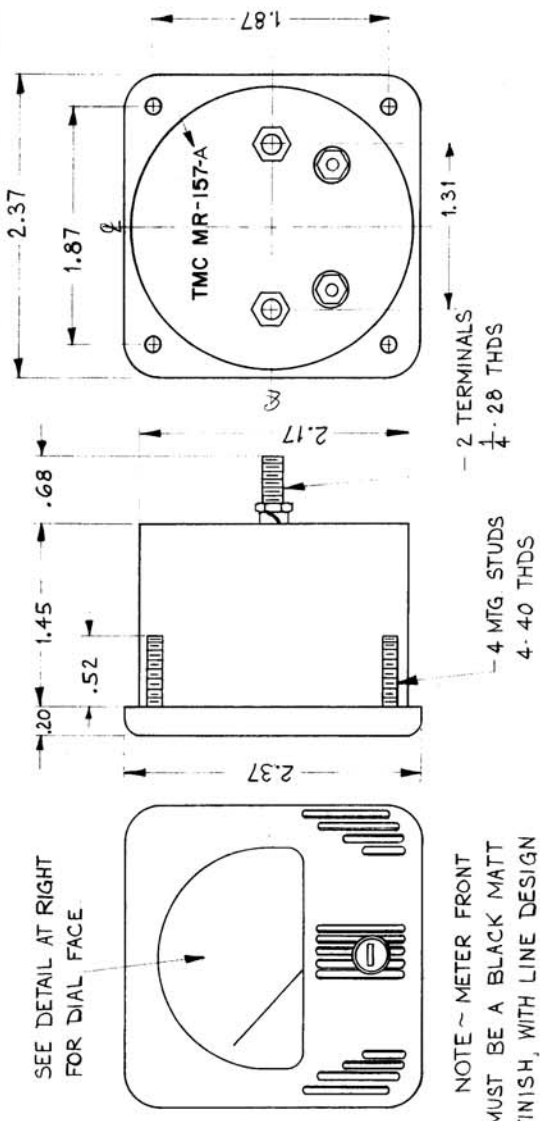


MR-157

SEE DETAIL AT RIGHT FOR DIAL FACE

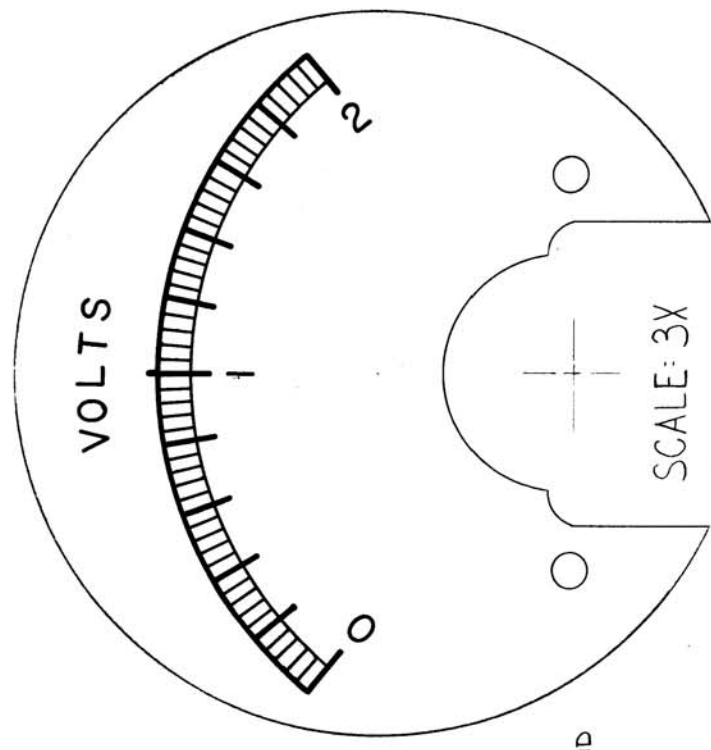


NOTE ~ METER FRONT MUST BE A BLACK MATT FINISH, WITH LINE DESIGN AS SHOWN.

SPECIFICATIONS:

CASE ~ STANDARD SIMPSON N^o 127
 MOVEMENT ~ 0-50 μ A
 APPROX. RESISTANCE ~
 POINTER TYPE ~ KNIFE EDGE
 ALL NECESSARY MOUNTING & TERMINAL HARDWARE SUPPLIED BY MFG

— STAMP CASE AS SHOWN



CALIBRATION MARKS & NUMERALS TO BE IN BLACK.
 WHITE BACKGROUND
 TMC INSIGNIA (BLACK).

USED ON

SYM	DESCRIPTION	DATE	CH. NO.	DRAFTS	CHECKER	ENG. APP.
A	MTG. STUDS WERE 4-36 THD	6-19-63	5243			

UNLESS OTHERWISE SPECIFIED:
 DIMENSIONS ARE IN INCHES
 TOLERANCES ON FRACTIONS $\pm 1/64$ DECIMALS $\pm .005$ ANGLES $\pm 1/2^{\circ}$

MAXIMUM ALLOWABLE TOLERANCES HAVE BEEN DETERMINED AND ANY DEVIATIONS WILL BE CAUSE FOR REJECTION. REMOVE ALL BURRS AND SHARP EDGES

REQ. ITEM	PART NO.	DESCRIPTION	SYMBOL
		M. GELLMAN	
		THE TECHNICAL MATERIEL CORP. MAMARONECK, NEW YORK	
		METER, OUTPUT INDICATOR	
		DRAWN	
		CHECKER	
		TYPE & TEMPER	
		HEAT TREAT. SPEC.	
		FINISH & SPEC. NO.	
		MR-157	A