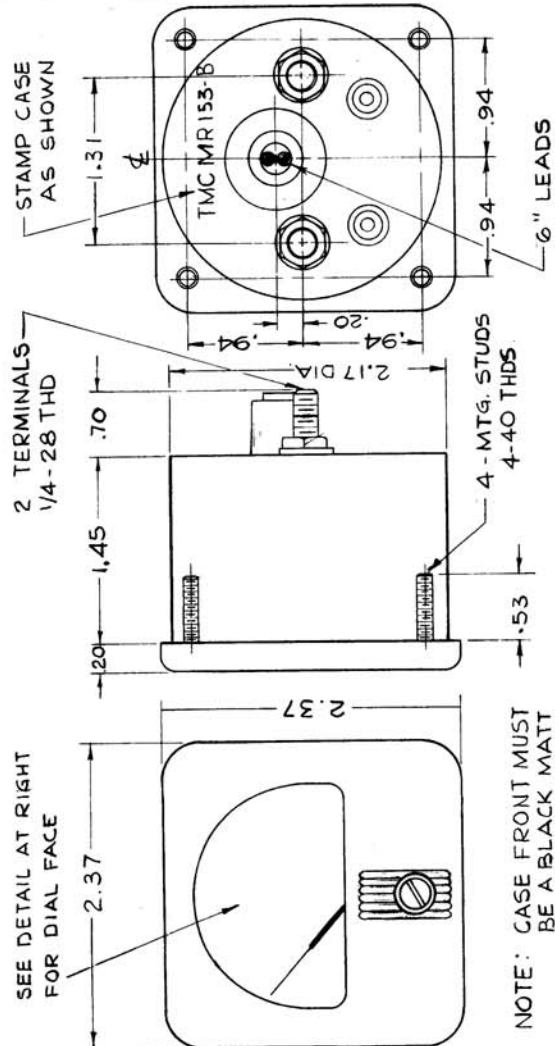


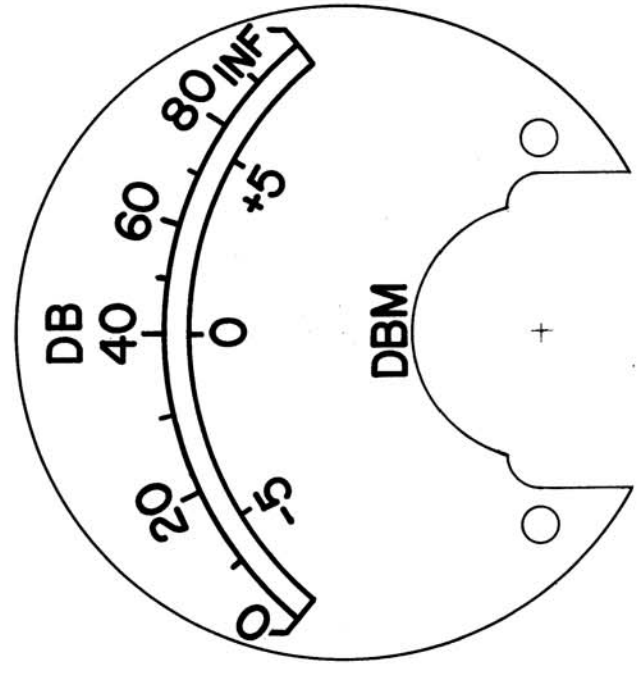
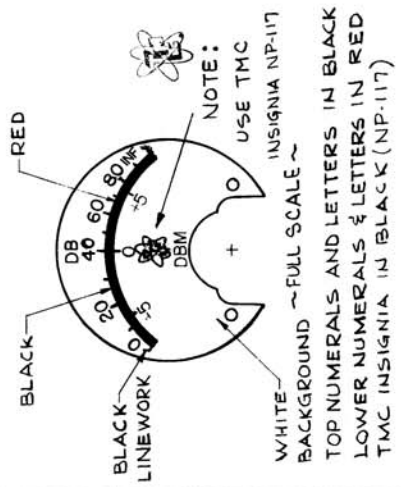
SYM		DESCRIPTION		REVISION		DATE	E.M.N. NO.	DRAFT	CHKD	APPRD
A		ON SPECS; CASE NO. WAS 127C, INSIGNIA CLARIFIED		1-25-63	8087					
B		MTG STUDS WERE 4-36 THD		6-19-63	9243					

MR-153



NOTE: CASE FRONT MUST BE A BLACK MATT FINISH WITH LINE DESIGN AS SHOWN

— SPECIFICATIONS —  
CASE - STANDARD SIMPSON NO. 127 B  
LUCITE ILLUMINATED.  
MOVEMENT: 0-1 MA.  
APPROX. RESISTANCE: 46 Ω  
POINTER TYPE: KNIFE EDGE  
ALL NECESSARY MOUNTING & TERMINAL HARDWARE TO BE SUPPLIED BY MANUFACTURER



SCALE: 3X

REQD.	ITEM	PART NUMBER	DESCRIPTION	SYMBOL
		STRUMER	LIST OF MATERIAL	
MATERIAL				
FINISH				
TITLE				
THE TECHNICAL MATERIEL CORP. MAMARONECK, NEW YORK				
METER, "S" & "VU"				
DRAWN	DATE	FINAL APPROVAL	DATE	DATE
T. RAMIREZ	12-7-62	BP	12-7-62	12-12-62
CHECKED	DATE		DATE	
	12-8-62			
ELE. DES.	DATE			
WORKING	DATE			
MR-153	1-12-63			
				REV. ITR.
				B

UNLESS OTHERWISE SPECIFIED DIMENSIONS ARE IN INCHES AND INCLUDE CHEMICALLY APPLIED OR PLATED FINISHES

FRACTIONS ± 1/64 ANGLES ± 0° 30' TOLERANCES ± 0° 30'

NOTES

THE CONTENTS OF THIS DRAWING ARE THE EXCLUSIVE PROPERTY OF THE TECHNICAL MATERIEL CORP. ITS UNAUTHORIZED USE OR REPRODUCTION IN WHOLE OR IN PART IS STRICTLY FORBIDDEN.