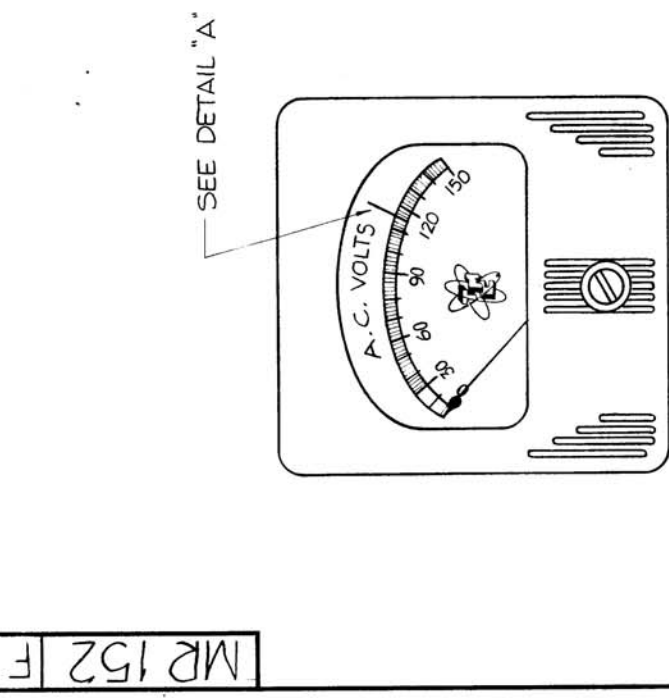
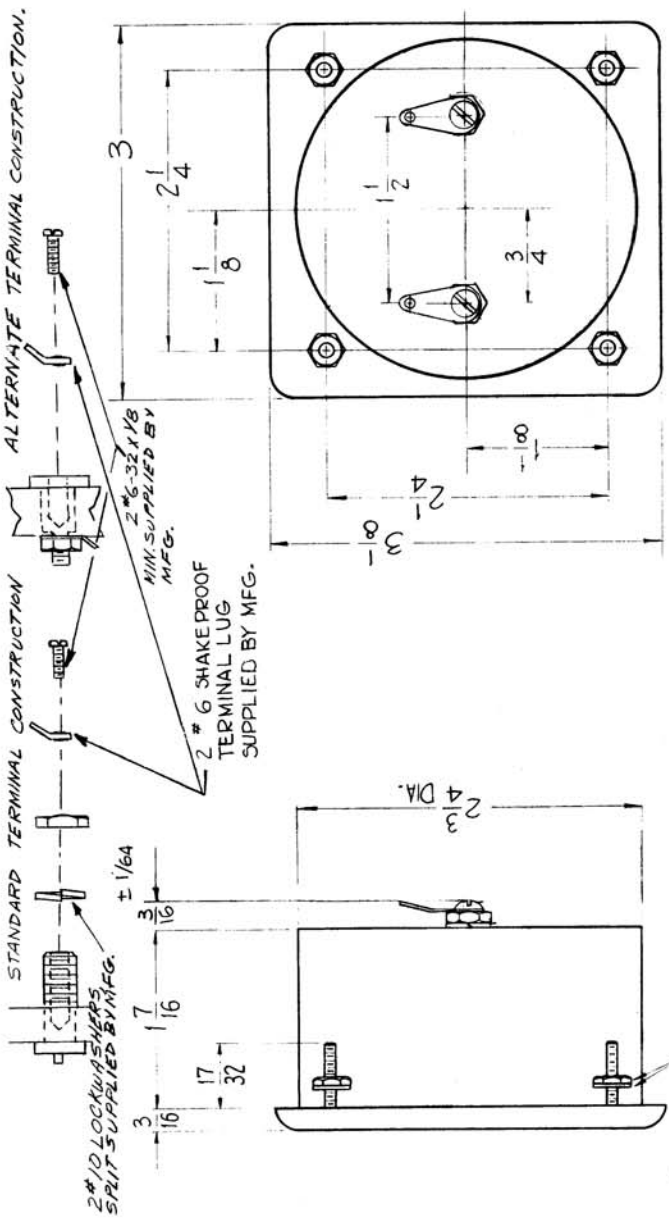
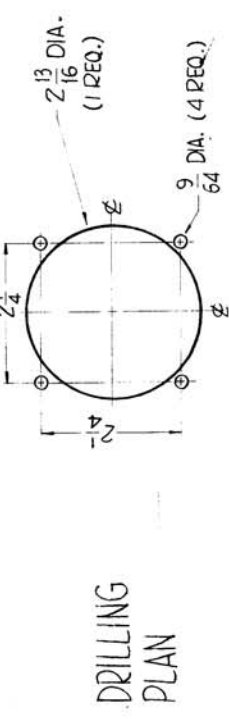
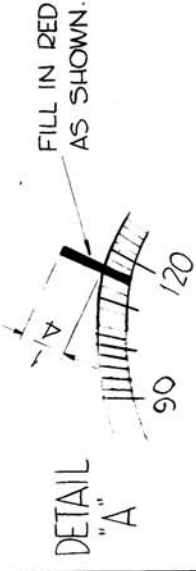


MR 152 F



④ 4-40 HEX. NUTS, ④ FLAT WASHERS SUPPLIED BY MFG.

RECTIFIER TYPE.
 ACCURACY AT FULL SCALE $\pm 3\%$.
 CALIBRATED FOR NON MAGNETIC PANEL.
 CASE FRONT, BLACK MATTE FINISH, WITH LINE DESIGN AS SHOWN.
 SPADE TYPE POINTER.



SYM	DESCRIPTION	DATE	CH. NO.	DRAFTS	CHECKER	ENG. APP.
F	(2 TYPE 5) ZERO CONSTRUCTION AND STUDS DIM'S. WEIR 1/4" - 1/8"	9-23-68	10 002	G-DL		
E	HARDWARE (2) # 6-32 SCREWS (2) # 10 LOCK WASHER SHIT & (2) SHAKE PROOF LUGS ADDED	1-16-63	9 1557			
D	NOTES COMPLETELY CLARIFIED	12-19-61	6096			
C	4-40 Hex. Nuts Were 4-36. Note, Ad 4.4	1-15-61	5899	RU		
B	2 # 6 SHAKE PROOF LUGS DELETED	9-29-61	5632	SP	WB	RK
A	1/4 DIM. WAS .312					

NOTE
 THE AREA BETWEEN CALIBRATION POINTS 114 & 116 IS TO BE RED FILLED AS SHOWN.

REQ. ITEM	PART NO.	DESCRIPTION	SYMBOL
		THE TECHNICAL MATERIEL CORP. MAMARONECK, NEW YORK	
		VOLTMETER, AC (MODEL - PS-4A)	
		J.C. Biele	
		RK	
		MR 152 F	