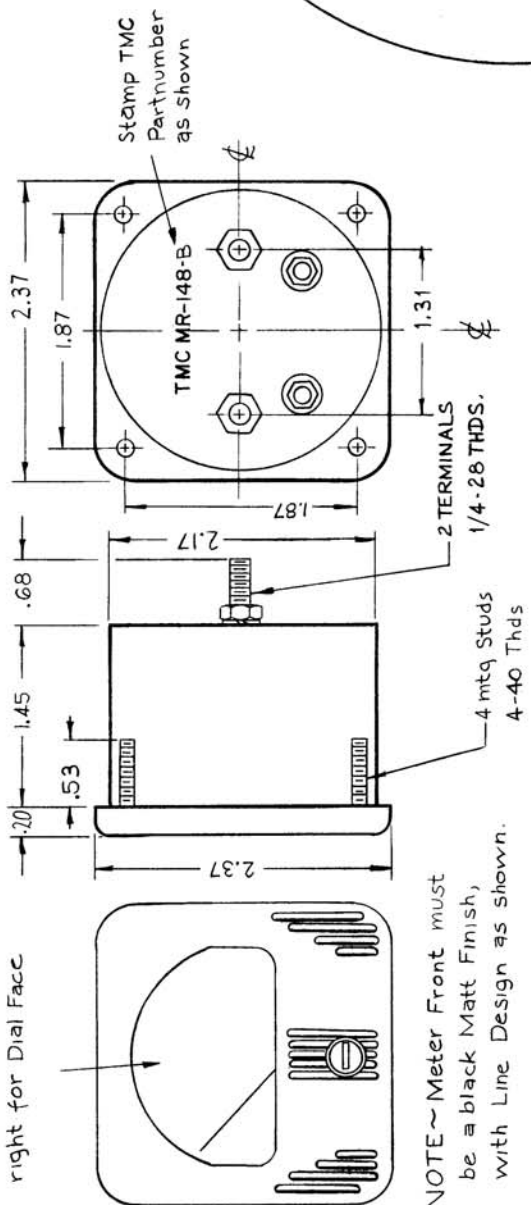


MR-148 B

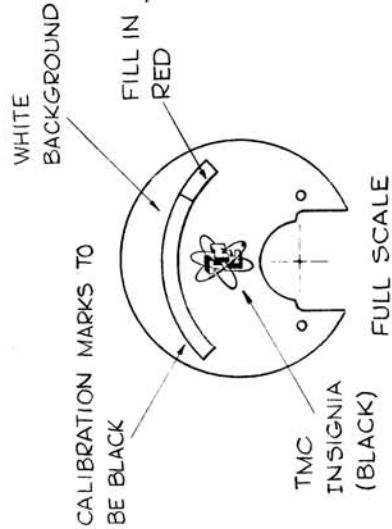
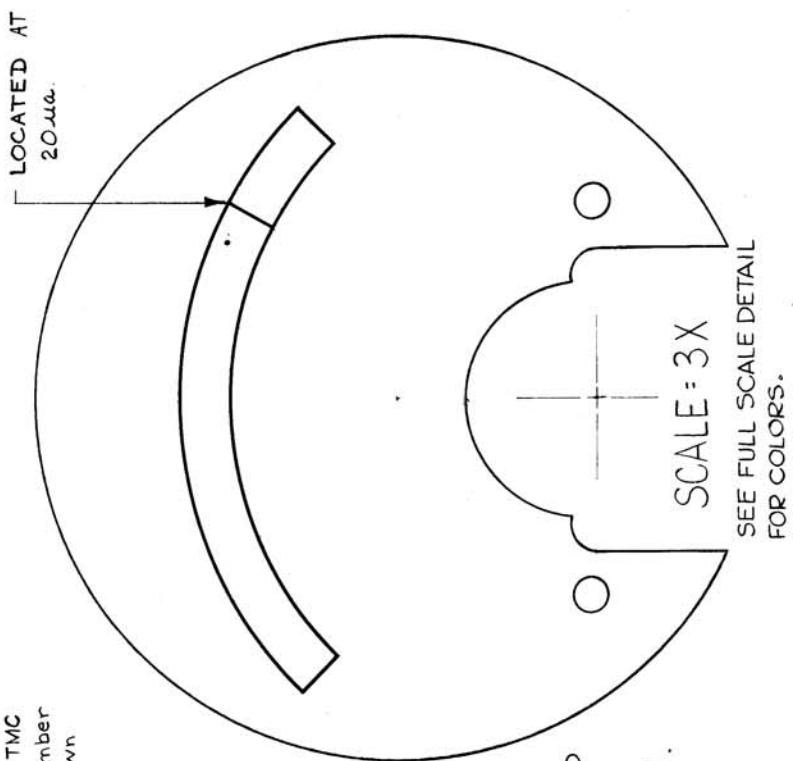
See details at right for Dial Face



NOTE ~ Meter Front must be a black Matt Finish, with Line Design as shown.

SPECIFICATIONS ~

Case ~ standard Simpson No 127  
 Movement ~ 0-25  $\mu$ A  
 Approx ~ resistance-2200 ohms  
 Pointer Type ~ Knife edge.  
 All necessary mounting terminal hardware supplied by mfg.



SYM	DESCRIPTION	DATE	CH. NO.	DRAFTS	CHECKER	ENG. APP.
B	MTC STUDS WERE 4-36 THD	6-10-63	9243			
A	DIM 1.31 WAS 1.00 DIM .53 WAS .54 2 TERMS 1/4-28 THD WAS 2 STUDS 8-32 THD. ON SCALE .3X ADDED LOCATED AT 20-46	4-10-60	4556			

UNLESS OTHERWISE SPECIFIED:  
 DIMENSIONS ARE IN INCHES  
 TOLERANCES ON FRACTIONS  $\pm 1/64$  DECIMALS  $\pm .005$  ANGLES  $\pm 1/20$

REQ. UNIT	CHG	MODEL	SECTION	ASBY. NO.	DATE
1					11-19-60

REQ. ITEM	PART NO.	DESCRIPTION	SYMBOL
		THE TECHNICAL MATERIEL CORP. MAMARONECK, NEW YORK	
	STOCK SIZE	METER, MF TUNING	
	MATERIAL		
	TYPE & TEMPER	DRAWN	
	HEAT TREAT. SPEC.	CHECKER	
	FINISH & SPEC. NO.	BLDG. DES. APP. MECH. DES. APP.	
		MR-148	B