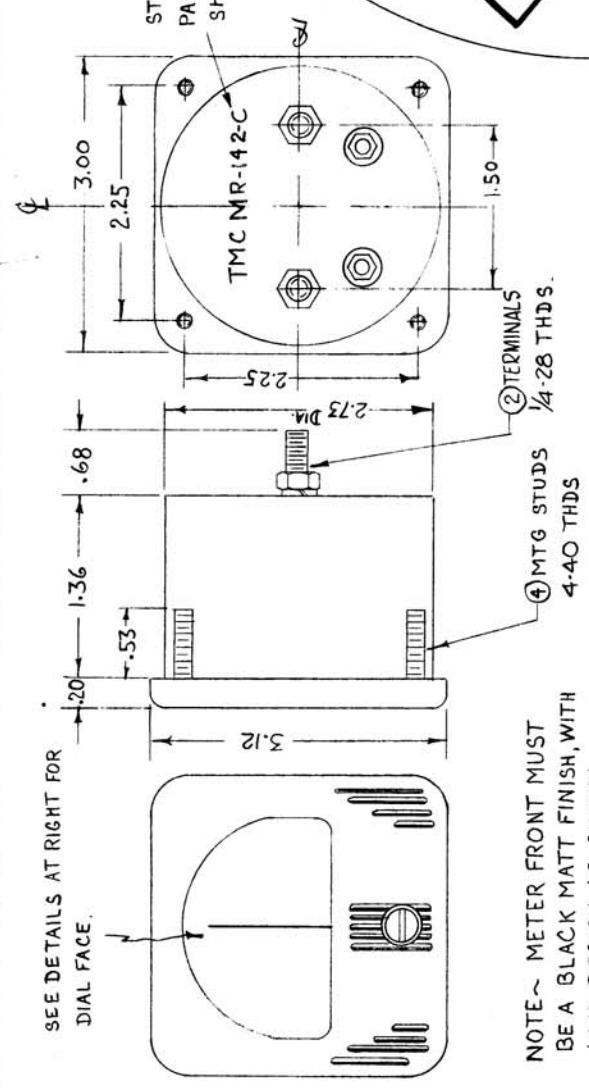


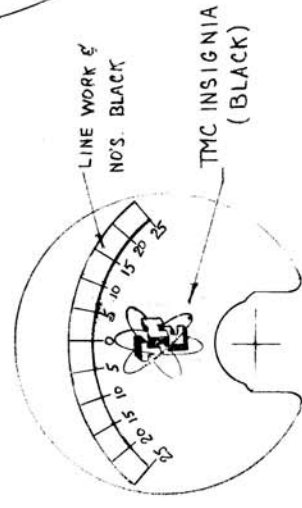
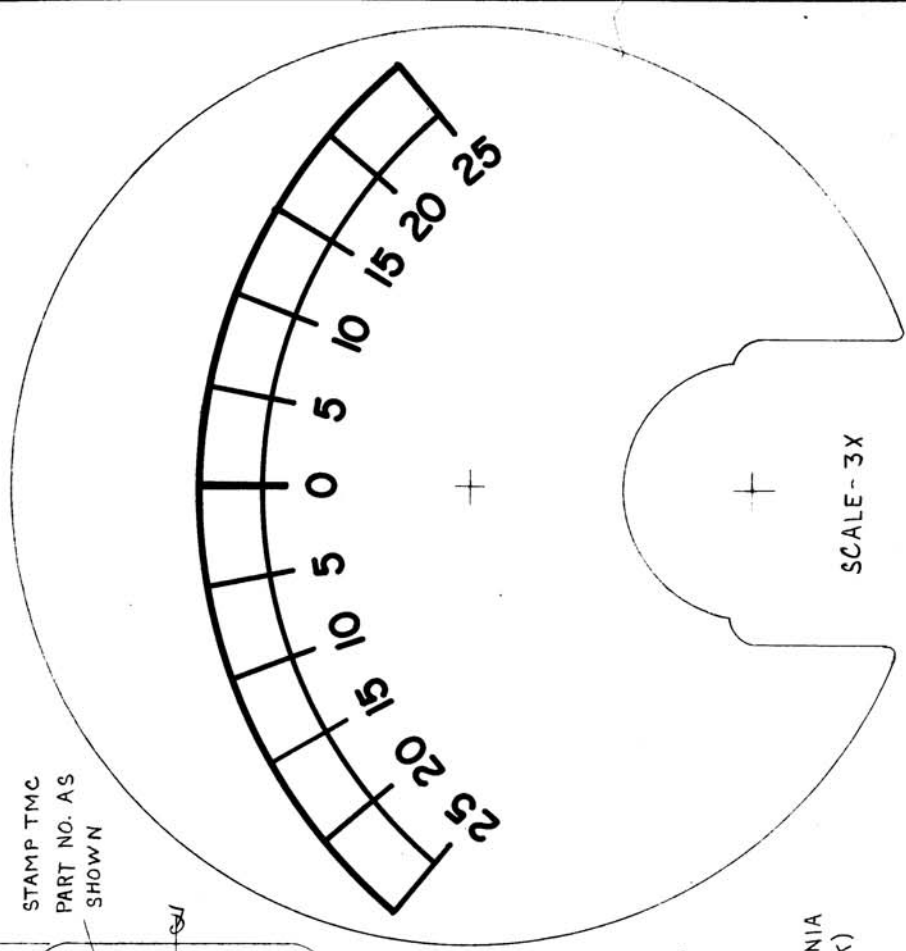
MR-142

SEE DETAILS AT RIGHT FOR DIAL FACE.



NOTE - METER FRONT MUST BE A BLACK MATT FINISH, WITH LINE DESIGN AS SHOWN

SPECIFICATIONS:
CASE - STANDARD SIMPSON No 27
MOVEMENT - 25-0-25 MICRO-AMP
APPROX. RESISTANCE - 2000 Ohms.
POINTER TYPE - SPADE EDGE
ALL NECESSARY MOUNTING & TERMINAL HARDWARE SUPPLIED BY MFG.



REQ. ITEM	PART NO.	DESCRIPTION	SYMBOL
		THE TECHNICAL MATERIEL CORP. MAMARONECK, NEW YORK	
	STOCK SIZE	METER, PHASE, COMPARTOR	
	MATERIAL	DC. MICRO AMPS	
	TYPE & TEMPER	HEAT TREAT. SPEC.	DRAWN
	FINISH & SPEC. NO.		CHECKED
			FINAL APPROVAL
			MR-142
			C

REQ. UNIT	PROJECT NO.	DATE
CSS		4-18-60
MODEL	ASSY. NO.	
	USED ON	

ISSUE ITEM	CHANGED FROM	DATE	CH. NO.	DRAFTS	CHECKER	ENGR. APP.
C 1	ON DIAL FACE, POSITION OF POINTER, CHANGED	7-26-63	9653	AE	gpr	gpr
B 1	MTG STUDS WERE 4-36 THD	6-18-63	9243	gpr	gpr	gpr
A 1	2 TERMINALS 1/4-28 THDS & 2 STUDS 8-32 THDS.	4/3/61	4538	gpr	gpr	gpr

TOLERANCES:
DEC. DIM. ±
FRAC. DIM. ±
ANGULAR DIM. ±

MAXIMUM ALLOWABLE TOLERANCES HAVE BEEN DETERMINED BY ANALYSIS AND WILL BE CAUSE FOR REJECTION.
REMOVE ALL BURRS AND SHARP EDGES