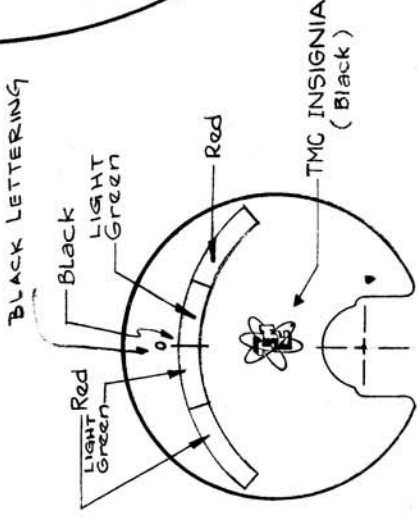
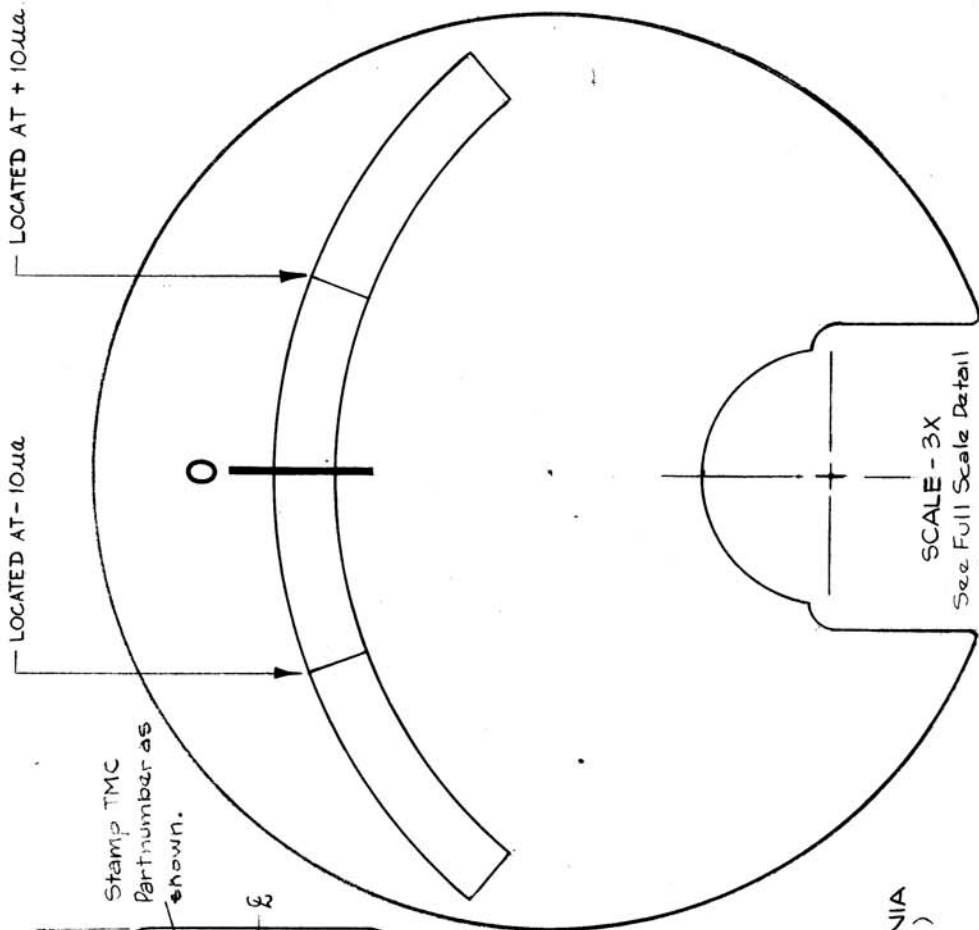
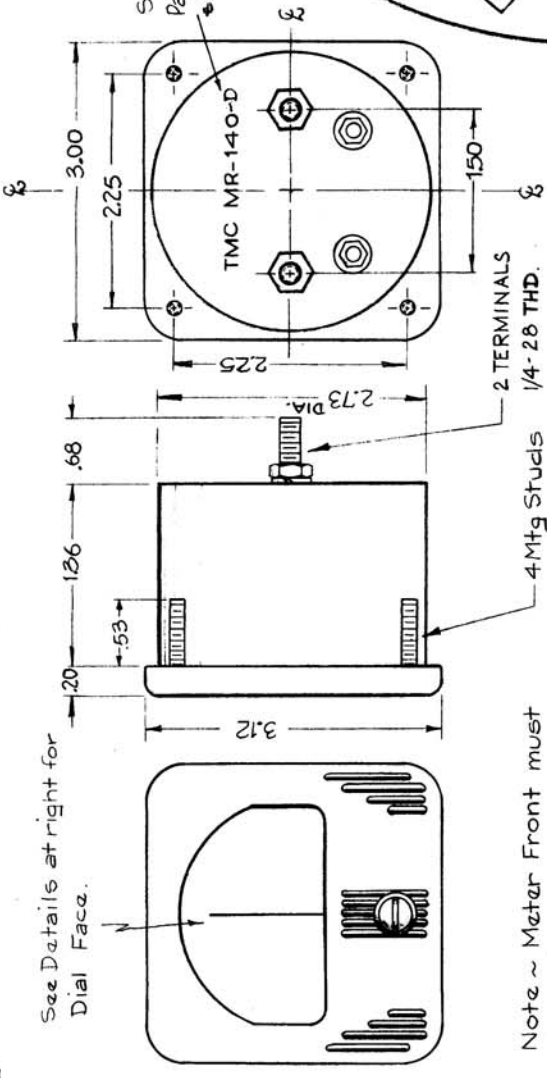


LOCATED AT - 10.0u

LOCATED AT - 10.0u

See Details at right for Dial Face.



Note ~ Meter Front must be a black Matt Finish, with Line Design as shown.

SPECIFICATIONS:

Case - Standard Simpson No 27.
 Movement - 25-0-25 Micro-Amp.
 Approx. Resistance - 2000 ohms.
 Pointer Type - knife Edge.
 All necessary Mounting & Terminal Hardware Supplied by Mfg.

DEC. DIM. ±	FRAC. DIM. ±	ANGULAR DIM. ±	ISSUE ITEM	CHANGED FROM	DATE	CH. NO.	DRAFTS	HECKER	ENR. APP.
			1	POINTER POSITION CHANGED	1/22/63	3453	AS		
			2	MFG STUDS WERE 1/4-28 THD	6/18/63	3243	AS		
			B	2 TERMINALS WERE ADDED TO CASE ON SCALE - 3X LOCATED AT - 10.0u ±	4-6-61	4556	MA		
			A	1 - 10.0u ± + 10.0u ADDED TO DIAL	6/8/60	-	DA		
				LIGHT GREEN WAS GREEN					

STOCK SIZE	MATERIAL	TYPE & TEMPER	HEAT TREAT. SPEC.	DRAWN	CHECKED	FINISH & SPEC. NO.
				AR.F.		MR-140 D

PROJECT NO.	ASBY. N.	DATE
CMO-2		4-7-60
CMO-1		4-7-60

THE TECHNICAL MATERIEL CORP.
 MAMARONECK, NEW YORK
 METER, SYNTHESIZER,
 DC. MICRO AMPS