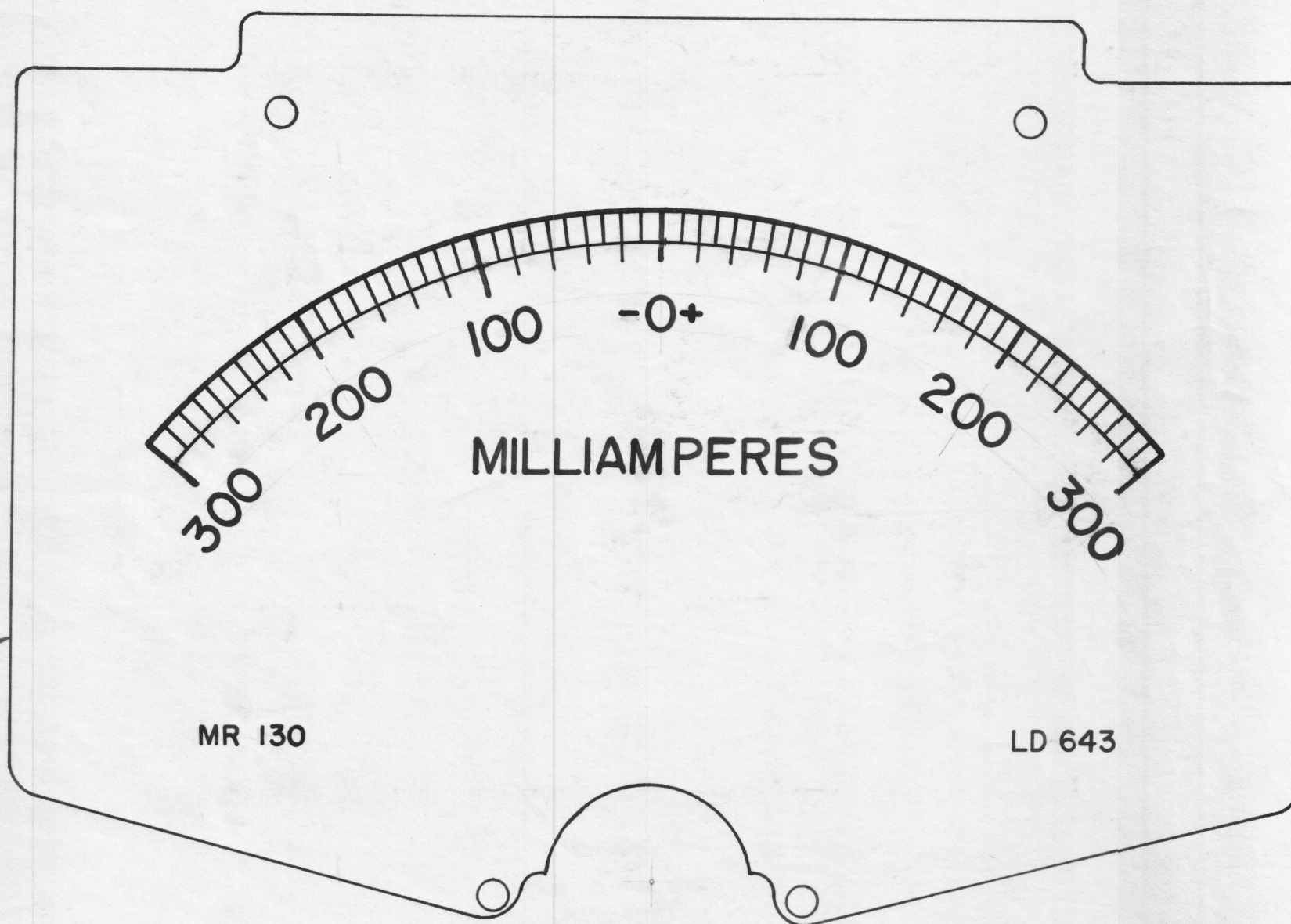
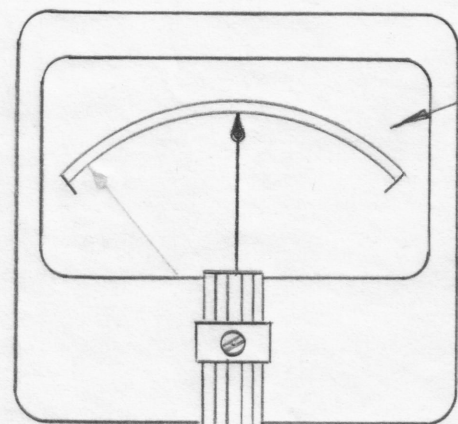
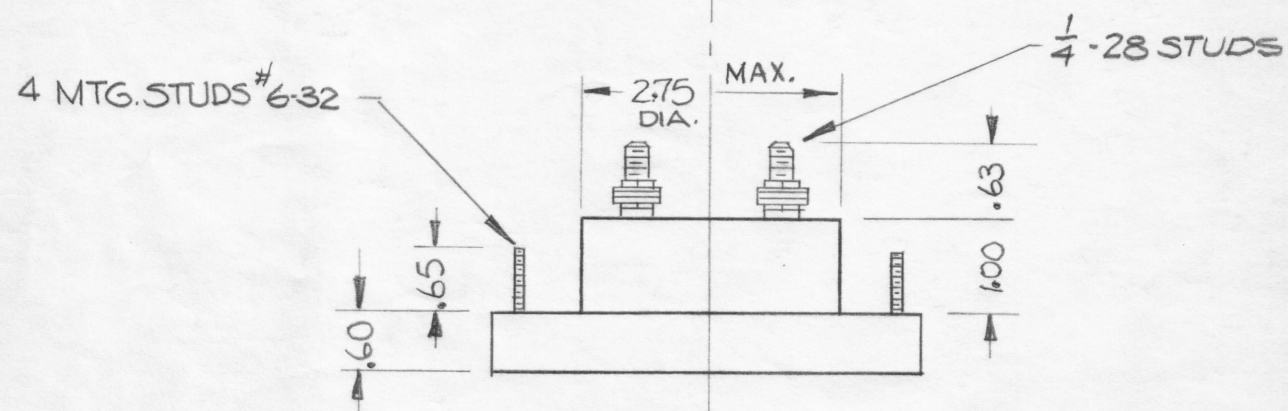
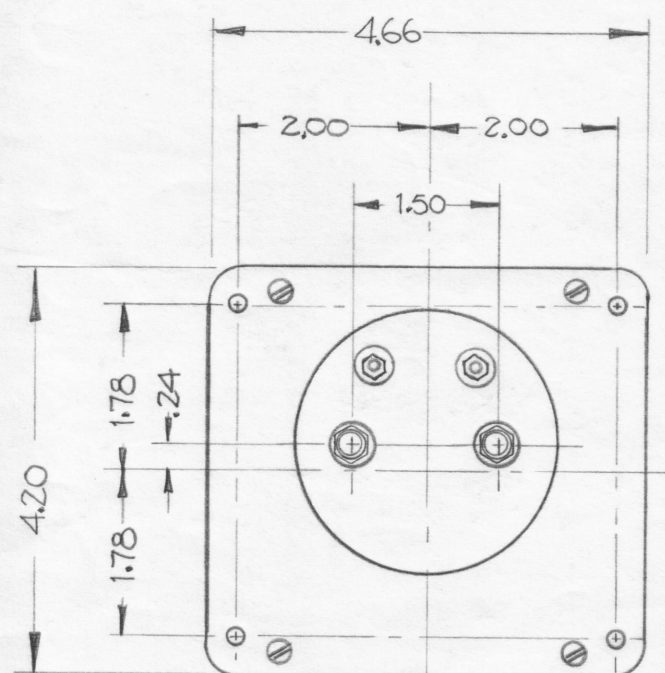
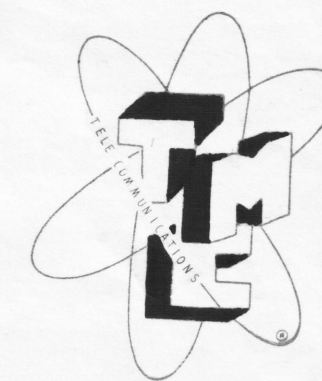


IF IT IS FOUND DESIRABLE TO CHANGE ANY TOLERANCE OR OTHER DETAIL SPECIFIED ON THIS DRAWING NOTIFY THE PURCHASER PROMPTLY.

MAXIMUM ALLOWABLE TOLERANCES HAVE BEEN DETERMINED AND DEVIATIONS WILL BE CAUSE FOR REJECTION. REMOVE ALL BURRS AND SHARP EDGES.



SCALE = 2X

REFS NP-117
INSERT TMC INSIGNIA
IMMEDIATY BELOW WORD
MILLIAMPERES CENTERED
TO BOTTOM.

MR 130 A

NOTES:

- CASE - STANDARD COMMERCIAL 4 1/2 RECTANGULAR
- FINISH - GLOSSY BLACK
- MOVEMENT - 300-0-300 MILLI-AMP.
- APPROX. RESISTANCE 1 OHM.
- POINTER - SPADE TYPE
- HARDWARE - TWO FLAT WASHERS AND TWO 1/4-28 HEX NUTS FOR TERMINALS, FOUR LOCKWASHERS AND FOUR 6-32 HEX NUTS FOR MOUNTING SUPPLIED BY MFG.

NOTICE TO PERSONS RECEIVING THIS DRAWING

THE TECHNICAL MATERIEL CORPORATION claims proprietary right in the material disclosed hereon. This drawing is issued in confidence for engineering information only and may not be reproduced or used to manufacture anything shown hereon without permission from THE TECHNICAL MATERIEL CORPORATION to the user. This drawing is loaned for mutual assistance and is subject to recall at any time.

Property of:
THE TECHNICAL MATERIEL CORPORATION
MAMARONECK, NEW YORK

NOTICE TO PERSONS RECEIVING THIS DRAWING

THE TECHNICAL MATERIEL CORPORATION claims proprietary right in the material disclosed hereon. This drawing is issued in confidence for engineering information only and may not be reproduced or used to manufacture anything shown hereon without permission from THE TECHNICAL MATERIEL CORPORATION to the user. This drawing is loaned for mutual assistance and is subject to recall at any time.

Property of:
THE TECHNICAL MATERIEL CORPORATION
MAMARONECK, NEW YORK

A	1	SPADE TYPE POINTER RELOCATED	4.65					
ISSUE	ITEM	CHANGED FROM	DATE	CH. NO.	DRAFTS	CHECKER	ENG. APP.	
TOLERANCES			SCALE:					
ALL OTHERS	DEC. DIM. ±	DRILL, PUNCH, COMMERCIAL STOCK SIZES AND MANUFACTURERS TOLERANCES ARE NOT INCLUDED.						
	FRAC. DIM. ±							
	ANGULAR DIM. ±							

1	GPT-40K	AX-173		11-11-59
REQ. PER UNIT	MODEL	PROJECT NO.	ASSY. NO.	DATE
USED ON				

REQ. ITEM	PART NO.	DESCRIPTION	SYMBOL
THE TECHNICAL MATERIEL CORP. MAMARONECK, NEW YORK			
STOCK SIZE			
MILLIAMETER GRID CURRENT			
MATERIAL	WEIGHT PER CP.		
TYPE & TEMPER		DRAWN	ELEC. DES. APP. MECH. DES. APP.
HEAT TREAT. SPEC.		CHECKED	FINAL APPROVAL
		MR 130 A	