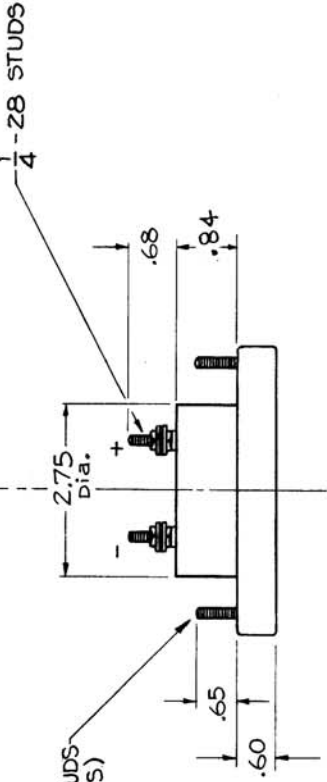
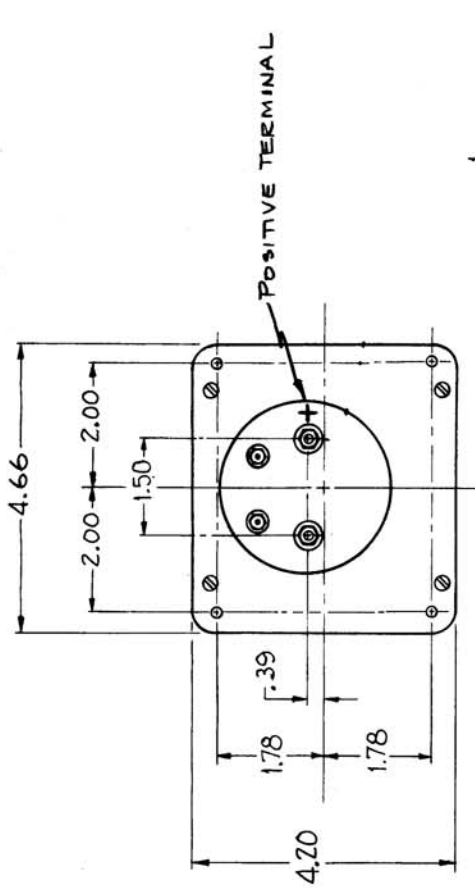


MR-126



4 MOUNTING STUDS
(6-32 THREADS)

NOTICE TO PERSONS RECEIVING THIS DRAWING

THE TECHNICAL MATERIEL CORPORATION claims proprietary right in the material disclosed hereon. This drawing is issued in confidence for engineering information only and may not be reproduced or used to manufacture anything shown hereon without permission from THE TECHNICAL MATERIEL CORPORATION to the user. This drawing is loaned for mutual assistance and is subject to recall at any time.

Property of:

THE TECHNICAL MATERIEL CORPORATION
MAMARONECK, NEW YORK

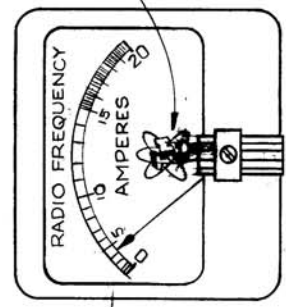
ISSUE ITEM	CHANGED FROM	DATE	CH. NO.	DRAFTS	CHECKER	ENG. APP.
F	ADDED REF. DWG. NO. 12-43	7-12-43	9562	A.K.		
E	ADDED NOTE: DIAL FACE TO BE CALIBRATED BY T.M.C. USE	6-28-42	6793	V.R.R.		
D	Added 1/4" to Terminal on Rear. (Revised schematic)	11/1/59	1545	16		
C	1.84 was 1.00 - 35 was 24	9/2/59	1305	10		
B	In schematic SAC-105 was 338uh	9/7/59	1244	16		
A	Note No. 2 was Calibrated for 6 Leads of max. line res. 10. 633/leg on Schematic Radio Frequency added	6/1/59	1075	J.C.B.		

DEC. DIM. ±
FRAC. DIM. ±
ANGULAR DIM. ±

TOLERANCES

SCALE: 1/4" = 1" (#17 MOD. 89)

MAXIMUM ALLOWABLE TOLERANCES HAVE BEEN DETERMINED AND ANY DEVIATIONS WILL BE CAUSE FOR REJECTION. REMOVE ALL BURRS AND SHARP EDGES



TMC INSIGNIA
REF. TMC DWG. NP-117

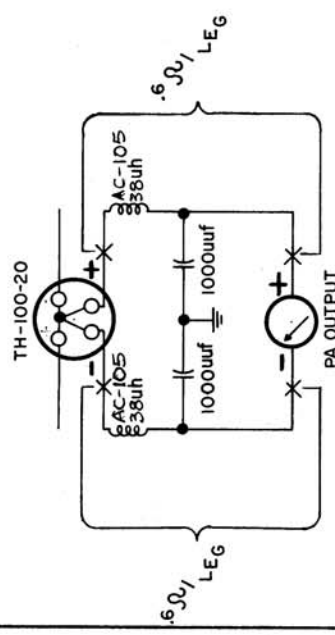
NOTE:
DIAL FACE TO BE CALIBRATED BY MANUFACTURER FOR USE W/TH-100-20

NOTES:

- 0-20 R.F. Ammeter with external thermocouple.
- Thermocouple to withstand maximum current of 55 amps for 15 seconds.
- Calibrated for coil and 1 ads .6 ohm/leg ACCURACY AT FULL SCALE ± 3%
- Designed for use with thermocouple TH-100-20.
- CALIBRATED FOR NON-MAGNETIC PANEL.

SPECIFICATIONS:

- Case-standard commercial rectangular 1/2
- Finish - Glossy black.
- Movement - 3.00 ma.
- Approximate Resistance - 11 ohms.
- Pointer - Spade type.
- Hardware - Two flat washers and two 1/4-28 hex mts for terminals. Four lockwashers and four 6-32 hex mts for mounting, supplied by mfg.
- Dial Face - **NOTE** 0-20 R.F. AMP-Expanded scale. With TMC Insignia as shown.
- Meter Resistance - 3.8 ohms



REQ. ITEM	PART NO.	DESCRIPTION	SYMBOL
		THE TECHNICAL MATERIEL CORP. MAMARONECK, NEW YORK	
		AMMETER, R.F. (PA OUTPUT)	
		J.C. BIELE	DESIGNED
		FILE	CHECKED
		AM	FINAL APPROVAL
		86	
		MR-126	F

TYPE & TEMPER. HEAT TREAT. SPEC.

FINISH & SPEC. NO.

USED ON

PROJECT NO.

ASBY. NO.

DATE

5-1-59