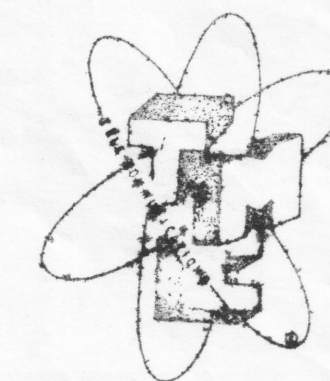


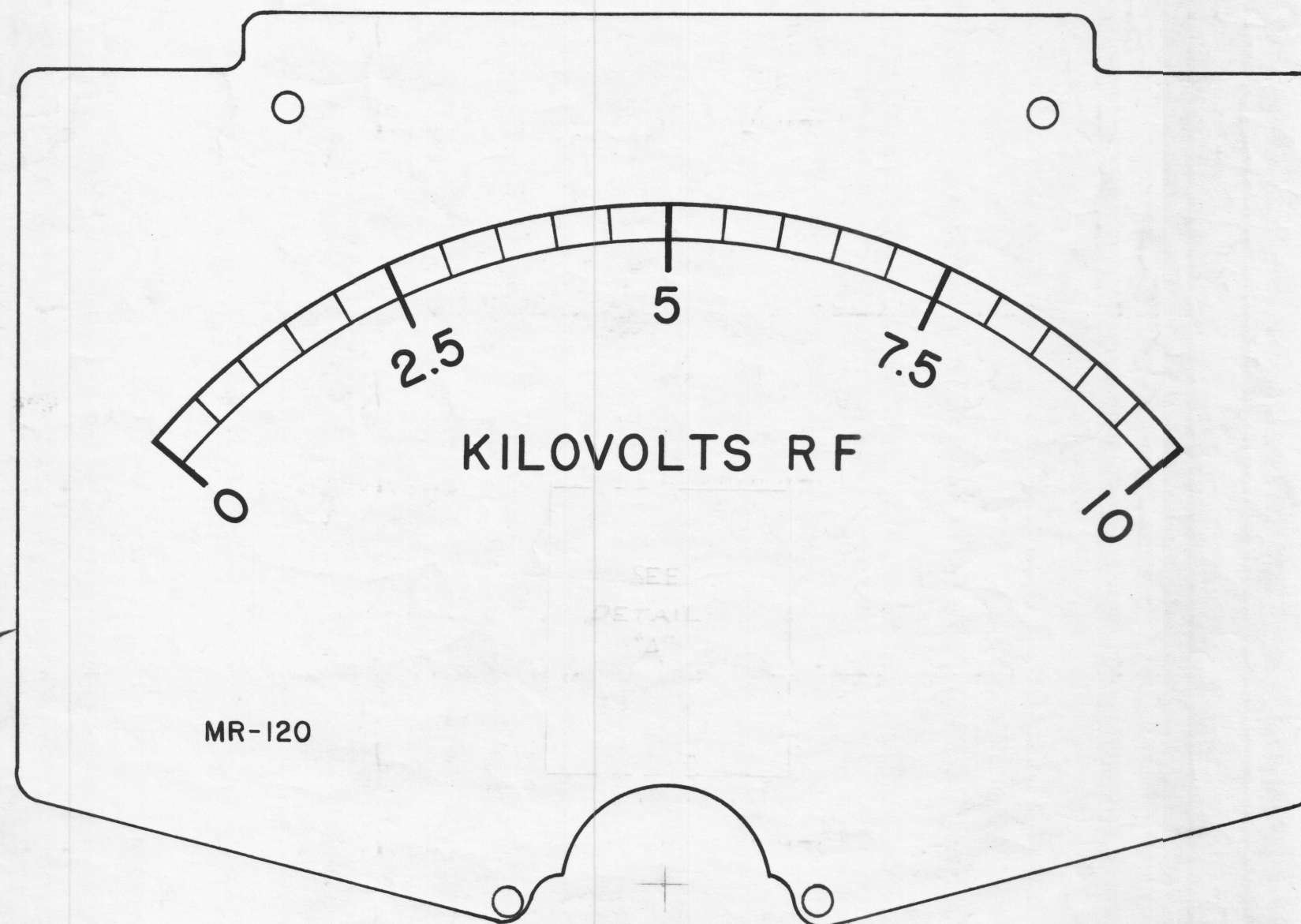
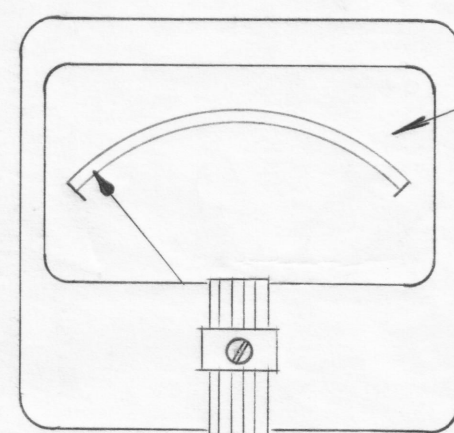
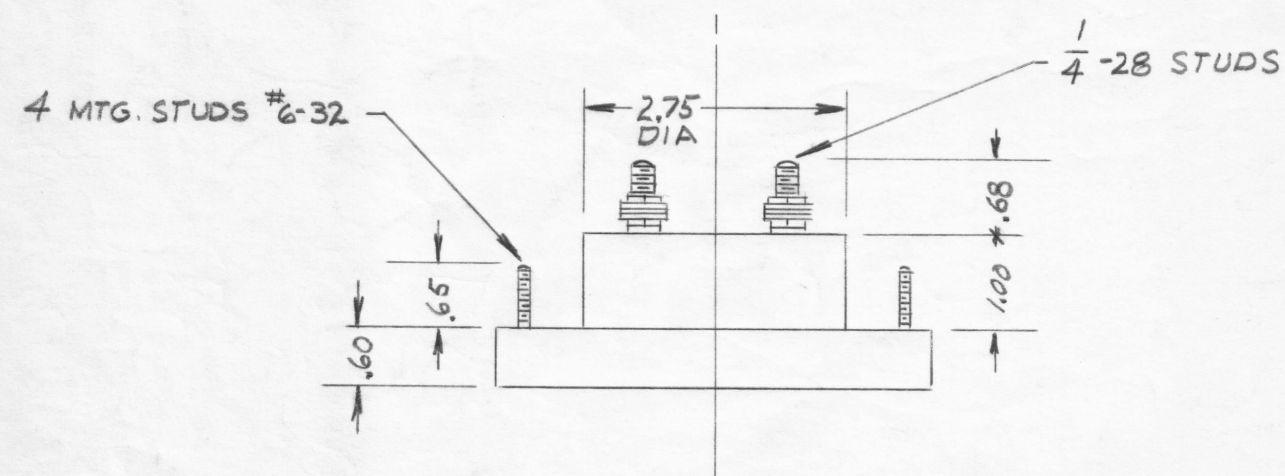
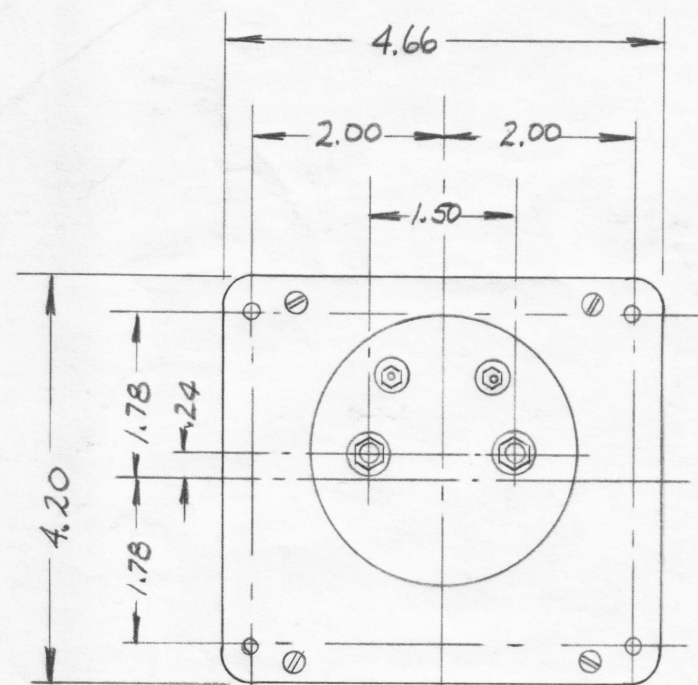
IF IT IS FOUND DESIRABLE TO CHANGE ANY TOLERANCE OR OTHER DETAIL SPECIFIED ON THIS DRAWING NOTIFY THE PURCHASER PROMPTLY.

MAXIMUM ALLOWABLE TOLERANCES HAVE BEEN DETERMINED AND DEVIATIONS WILL BE CAUSE FOR REJECTION. REMOVE ALL BURRS AND SHARP EDGES



"A"

INSERT TMC INSIGNIA IMMEDIATELY BELOW WORD "KILOVOLTS RF" CENTERED TO BOTTOM.



SCALE 2X

MR-120

NOTICE TO PERSONS RECEIVING THIS DRAWING

THE TECHNICAL MATERIEL CORPORATION claims proprietary right in the material disclosed hereon. This drawing is issued in confidence for engineering information only and may not be reproduced or used to manufacture anything shown hereon without permission from THE TECHNICAL MATERIEL CORPORATION to the user. This drawing is loaned for mutual assistance and is subject to recall at any time.

Property of:

THE TECHNICAL MATERIEL CORPORATION  
MAMARONECK, NEW YORK

NOTES

- CASE - STANDARD COMMERCIAL RECTANGULAR 4 1/2. CASE MODEL 29
- FINISH - GLOSSY BLACK
- MOVEMENT - 0-200 MICRO-AMPS
- APPROX. RESISTANCE - 1000 OHMS
- POINTER - SPADE TYPE
- HARDWARE - TWO FLAT WASHERS AND TWO 1/4-28 HEX NUTS FOR TERMINALS, FOUR LOCKWASHERS AND FOUR 6-32 HEX NUTS FOR MOUNTING SUPPLIED BY MFG.

NOTICE TO PERSONS RECEIVING THIS DRAWING

THE TECHNICAL MATERIEL CORPORATION claims proprietary right in the material disclosed hereon. This drawing is issued in confidence for engineering information only and may not be reproduced or used to manufacture anything shown hereon without permission from THE TECHNICAL MATERIEL CORPORATION to the user. This drawing is loaned for mutual assistance and is subject to recall at any time.

Property of:

THE TECHNICAL MATERIEL CORPORATION  
MAMARONECK, NEW YORK

ISSUE	ITEM	CHANGED FROM	DATE	CN. NO.	DRAFTS	CHECKER	ENG. APP.
TOLERANCES			SCALE: 3-401-44 (17-29)				
ALL OTHERS	DEC. DIM. ± .015	FRAC. DIM. ± 1/64	DRILL, PUNCH, COMMERCIAL STOCK SIZES AND MANUFACTURERS TOLERANCES ARE NOT INCLUDED.				

REQ PER UNIT	MODEL	PROJECT NO.	ASSY. NO.	DATE
1	GPT-10K	AX-173		10-31-58

REQ. ITEM	PART NO.	DESCRIPTION	SYMBOL
<b>THE TECHNICAL MATERIEL CORP.</b> MAMARONECK, NEW YORK			
STOCK SIZE			
VOLTMETER, KILD. RF, FINAL PLATE			
MATERIAL	WEIGHT PER PC.		
TYPE & TEMPER		LABILE	T.E.G. 20
HEAT TREAT. SPEC.		DRAWN	ELEC. DES. APP. MECH. DES. APP.
FINISH & SPEC. NO.		CHECKED	FINAL APPROVAL
MR-120			