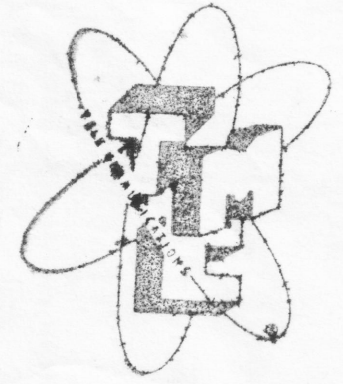


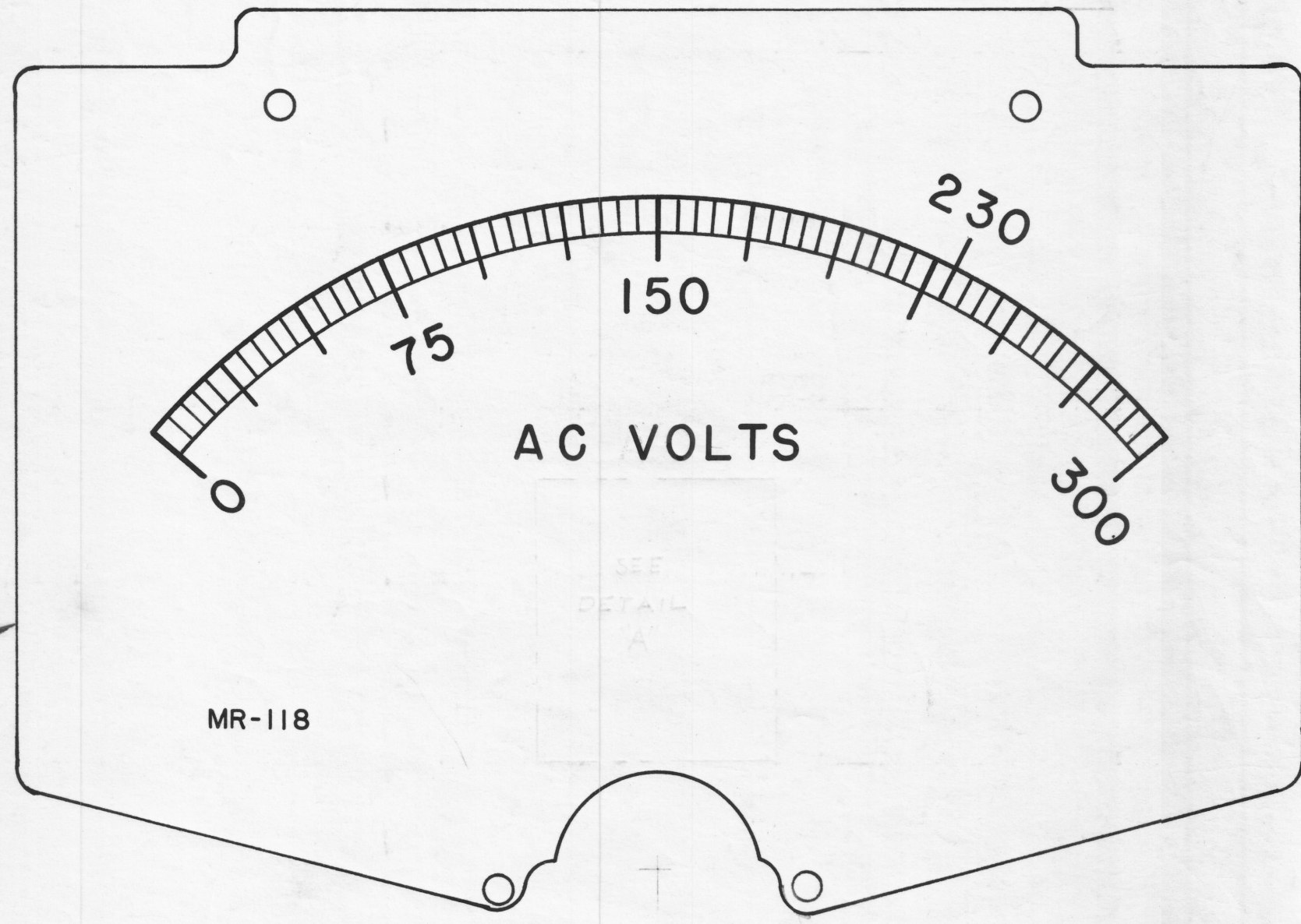
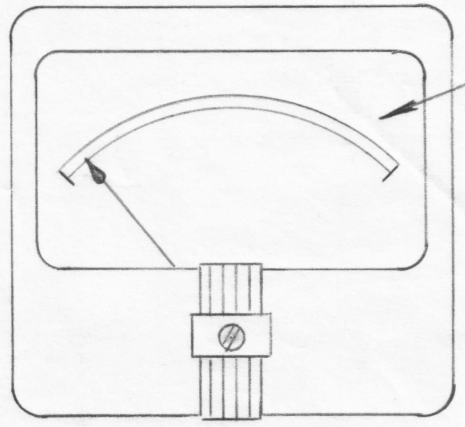
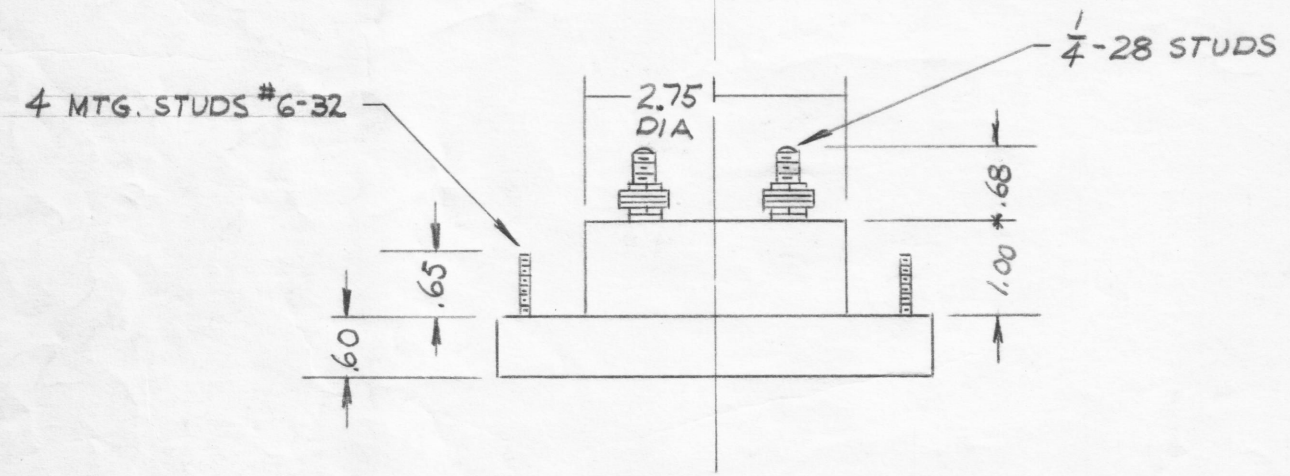
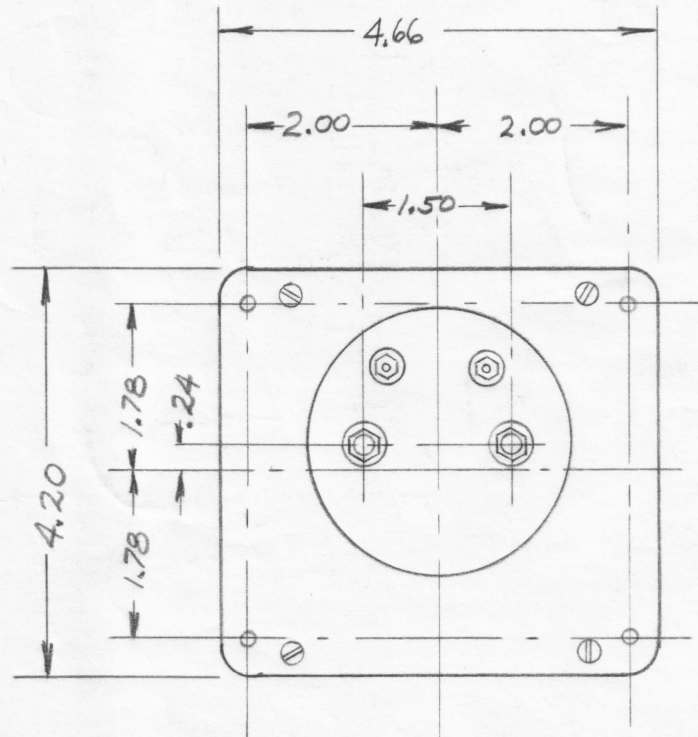
IF IT IS FOUND DESIRABLE TO CHANGE ANY TOLERANCE OR OTHER DETAIL SPECIFIED ON THIS DRAWING NOTIFY THE PURCHASER PROMPTLY.

MAXIMUM ALLOWABLE TOLERANCES HAVE BEEN DETERMINED AND DEVIATIONS WILL BE CAUSE FOR REJECTION. REMOVE ALL BURRS AND SHARP EDGES



"A"

INSERT TMC INSIGNIA IMMEDIATELY BELOW WORD "AC VOLTS" CENTERED TO BOTTOM.



SCALE 2 X

MR-118

NOTES:
CASE- STANDARD COMMERCIAL RECTANGULAR 4 1/2" CASE MODEL 49
FINISH- GLOSSY BLACK
MOVEMENT - 0-300 VOLTS
APPROX. RESISTANCE - 2000 OHMS/VOLTS
POINTER - SPADE TYPE
HARDWARE- TWO FLAT WASHERS AND TWO 1/4-28 HEX NUTS FOR TERMINALS, FOUR LOCKWASHERS AND FOUR 6-32 HEX NUTS FOR MOUNTING, SUPPLIED BY MFG.

NOTE: 230 MARKER TO BE RED

REF. SIM. FOUND CAT. NO. 7 MODEL 50

ISSUE	ITEM	CHANGED FROM	DATE	CN. NO.	DRAFTS	CHECKER	ENG. APP.
TOLERANCES		SCALE: 5-401-44 (17-49)					
ALL OTHERS	DEC. DIM. ± .015 FRAC. DIM. ± 1/64 ANGULAR DIM. ±	DRILL, PUNCH, COMMERCIAL STOCK SIZES AND MANUFACTURERS TOLERANCES ARE NOT INCLUDED.					

REQ PER UNIT	MODEL	PROJECT NO.	ASS'Y. NO.	DATE
1	GPT-10 KC	AX-178		10-31-58
USED ON				

REQ.	ITEM	PART NO.	DESCRIPTION	SYMBOL
			THE TECHNICAL MATERIEL CORP. MAMARONECK, NEW YORK	
STOCK SIZE			VOLTMETER, AC	
MATERIAL		WEIGHT PER PC.		
TYPE & TEMPER		TORILLO	T.F.G.	QAS
		DRAWN	ELEC. DES. APP.	MECH. DES. APP.
HEAT TREAT. SPEC.		CHECKED	QAS	
FINISH & SPEC. NO.			MR-118	