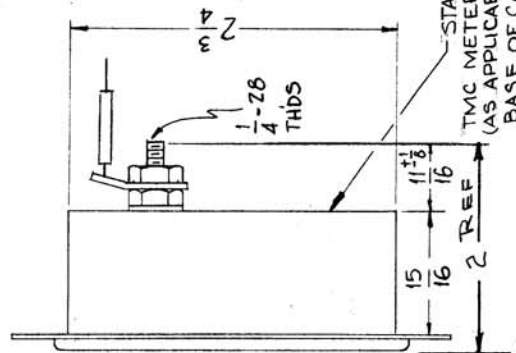
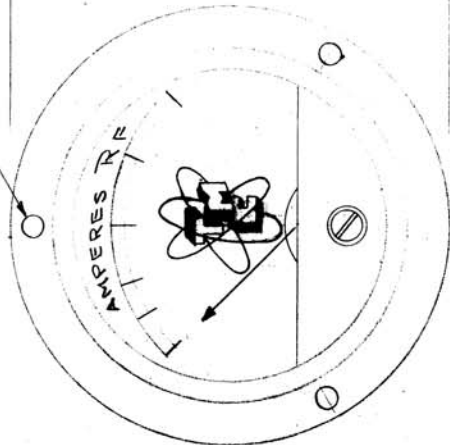


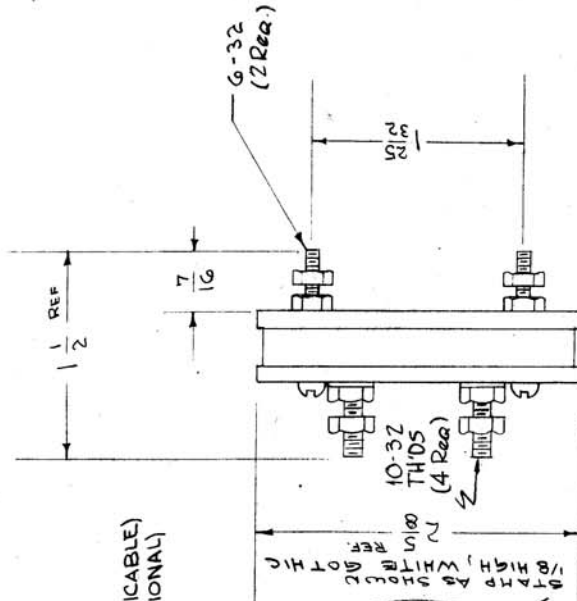
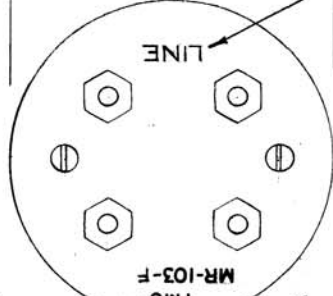
IF IT IS FOUND DESIRABLE TO CHANGE ANY TOLERANCE OR OTHER METAL SPECIFIED ON THIS DRAWING NOTIFY THE PURCHASER PROMPTLY.
 MAXIMUM ALLOWABLE TOLERANCES HAVE BEEN DETERMINED AND DEVIATIONS WILL BE CAUSE FOR REJECTION. REMOVE ALL BURRS AND SHARP EDGES

6-32 CLEARANCE (.150) DIA - 3 Req

METER



STAMP TMC NO. (AS APPLICABLE) AS SHOWN (POSITION OPTIONAL) THERMOCOUPLE



NOTICE TO PERSONS RECEIVING THIS DRAWING

The TECHNICAL MATERIEL CORPORATION claims proprietary right in the material disclosed hereon. This drawing is issued in confidence for engineering information only and may not be reproduced or used to manufacture anything shown hereon without permission from THE TECHNICAL MATERIEL CORPORATION to the user. This drawing is loaned for mutual assistance and is subject to recall at any time.

Property of:

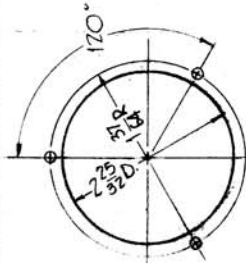
THE TECHNICAL MATERIEL CORPORATION
 MAMARONECK, NEW YORK

METER	USE THERMOCOUPLE (SEE NOTE)	METER SCALE RF AMPERE	METER MOVEMENT
MR-103-1	MR-103-2	0-3	14 MILLIVOLTS 5.5 MILLIAMPS
MR-103-3	MR-103-4	0-5	" " " "

NOTE:

MOUNTING HARDWARE & 2 LEADS (ONE BLACK, ONE RED/BLACK) FURNISHED BY MANUFACTURER.
 LENGTH OF LEADS (END OF LUG TO END OF LUG) IN INCHES INDICATED BY NUMBER AFFIXED TO PART NUMBER OF THERMOCOUPLE, E.G., MR-103-4-30.00-30" LEADS MR-103-4-7.75-7 3/4" LEADS

METER DRILLING PLAN



③ (.150) DIA. HOLES, EQUALLY SPACED 170" APART ON A 1-37/64 R.

REQ. ITEM	PART NO.	DESCRIPTION	SYMBOL
#	#	THE TECHNICAL MATERIEL CORP. MAMARONECK, NEW YORK	
MATERIAL	STOCK SIZE	METER, R.F.	
#	#	W/EXTERNAL THERMOCOUPLE	
TYPE & TENSILE	WEIGHT PER LB		
#	#		
DATE	DRWN	CHECKED	APPROVED
10-10-58	OPB	OPB	OPB
MR-103			

ISSUE ITEM	CHANGED FROM	DATE	CH. NO.	DRAFTS	ENGINEER	DRG. APP.
1	MTG. NOTE DELETED, TMC	8-20-63	9816	AK	OPB	OPB
2	FRAC. DIM. REVISED					
3	23 AND 52 DIMS TO THERMOCOUPLE					
4	DRILLING PLAN REVISED	3-31-61	4543	RM	OPB	OPB
5	170 DIA. DIM. TO 170	10/1/59	1324	DM	OPB	OPB
6	170 DIA. DIM. TO 170	7/2/58	1324	DM	OPB	OPB
7	170 DIA. DIM. TO 170	7/2/58	1324	DM	OPB	OPB
8	170 DIA. DIM. TO 170	7/2/58	1324	DM	OPB	OPB
9	170 DIA. DIM. TO 170	7/2/58	1324	DM	OPB	OPB
10	170 DIA. DIM. TO 170	7/2/58	1324	DM	OPB	OPB

DEC. DIM. ±	FRAC. DIM. ±	ANGULAR DIM. ±
ALL	OTHER	

REQ. ITEM	MODEL	PROJECT NO.	ABBY. NO.	DATE
2	TAC-1	1374	A-715	1-30-54

SCALE	SYMBOL
SCALE: 5:401- (341-T)	
BRILL PUNCH, COMMERCIAL STOCK SIZES AND MANUFACTURERS TOLERANCES ARE NOT INCLUDED.	