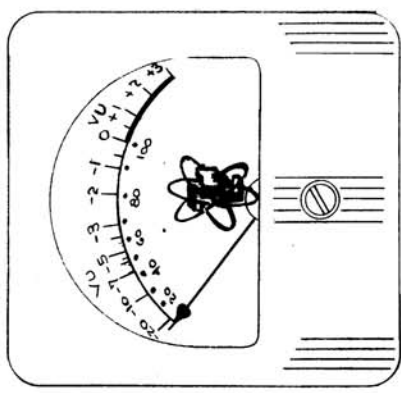


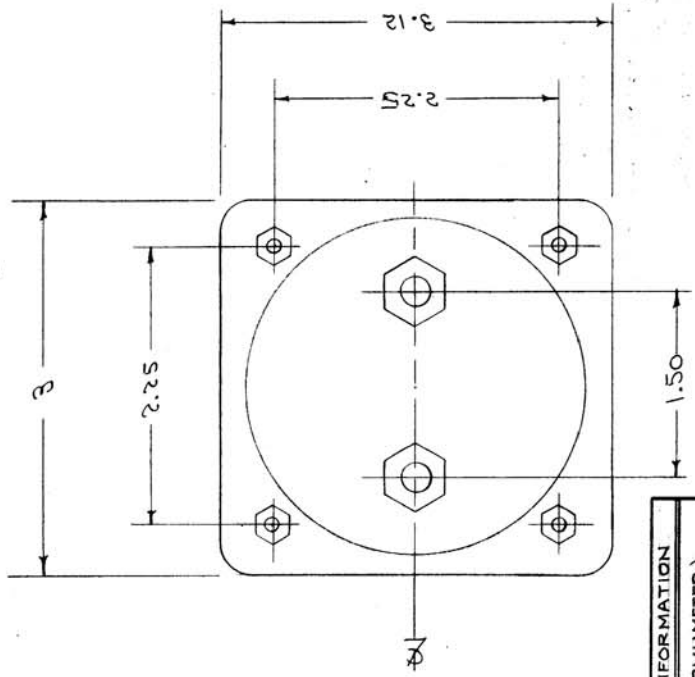
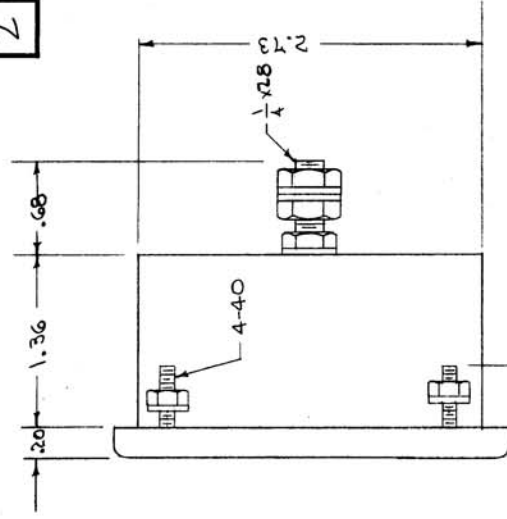
**STANDARD DRAWING**

MR-101 H

IF IT IS FOUND DESIRABLE TO CHAIN EASY TOLERANCE OR OTHER DETAIL SPECIFIED ON THIS DRAWING NOTIFY THE PURCHASER PROMPTLY.  
 MAXIMUM ALLOWABLE TOLERANCES HAVE BEEN DETERMINED AND INDICATED BY DIMENSION LINES. ALL CAUSES FOR REJECTION, REMOVE ALL BUMPS AND SHARP EDGES



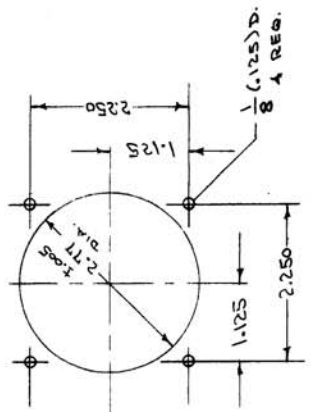
T.M.C. IN SIGNIA TO BE PRINTED ON FACE OF METER (REF: NP-117)



PURCHASING INFORMATION	
MR101-1	SIMPSON MODEL 47, (-20 TO +30V METER)
MR101-2	SAME AS ABOVE BUT SUPPLIED WITH LD-200
MR101-3	SAME AS ABOVE BUT SUPPLIED WITH LD-199

T.M.C. NO.	SIMPSON NO.	WESTON NO.	SCALE	REF. DWG. AS SHOWN	FIRST USED
MR-101-1	A7 "A" SCALE	301-30A	-20 to +3 dBm	LD-200	DCU
MR-101-2	A7 MODIFIED	301 MODIFIED	-20 to +3 dBm	LD-200	RSM-2
MR-101-3	A7 MODIFIED	301 MODIFIED	-20 to +3 dBm	LD-199	RSA-2

NOTE: CASE SIZE AS SHOWN. SCALE LENGTH 2.6". INTERNAL IMPEDANCE 3900Ω. STANDARD DAMPING CHARACTERISTIC. CALIBRATED TO READ .0 dBm WITH 1.228 V. APPLIED TO THE METER WITH 3600Ω SERIES RESISTANCE.  
 REF: SIMPSON ELEC. CO. / WESTON ELEC. INST. CO.



REQ. ITEM	PART NO.	DESCRIPTION	SYMBOL
		THE TECHNICAL MATERIEL CORP. MAMARONECK, NEW YORK	
		METER, LEVEL INDICATING	
		U.D.D. 9-29-54	A.J.J. W.C.
		DRAWN	A.J.J.
		CHECKED	A.J.J.
		ELEC. DES. APP.	
		MECH. DES. APP.	
		FINAL APPROVAL	
		MR-101 H	

ISSUE ITEM	CHANGED FROM	DATE	CN. NO.	DRAFTS CHECKER	ERG. APP.
H	1	MTG STUDS WERE 4-40 THD	61203	9243	JAY
G	2	1/4-28 WAS 1/4-20 THDS	4/3/61	4538	DM
F	1	NOTE ADDED	2/28/59	726	JCB
E	1	REVISED 2-18-58	4/1/59	1	JAY

TOLERANCES  
 DEC. DIM. ±  
 FRACTIONAL DIM. ±  
 ALL OTHERS ANGULAR DIM. ±  
 DRILL PUNCH, COMMERCIAL STOCK SIZES AND MANUFACTURERS TOLERANCES ARE NOT INCLUDED.