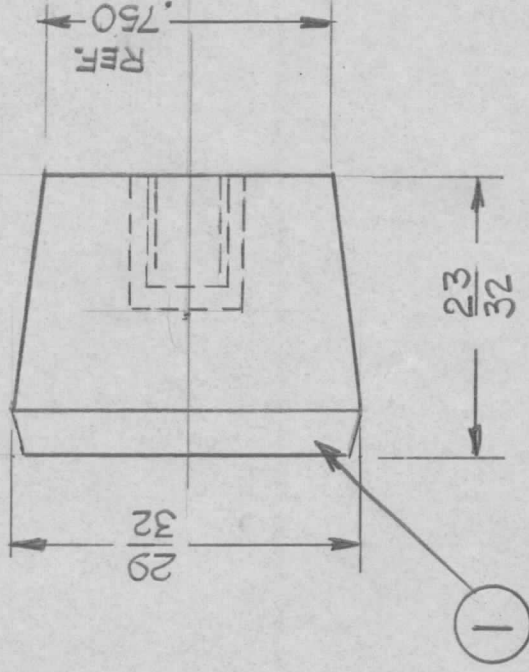


APPLICATION

REVISIONS

QTY	MODEL USED ON	ASSY NO.	LTR	DESCRIPTION	DATE	E.M.N.NO	DRAFT	CHKD	APPD
2	MMX()2		Φ	ORIGINAL RELEASE	6-5-78	-n	GDL	UJ	*



INSERT
TAPPED FOR
1032X3/8 DP
FORCE FIT OR
PINNED

* S401-484

REQ'D ITEM	PART NUMBER	DESCRIPTION	SYM.
1	1 KNOB *	MFG # 95-99-108-34	

LIST OF MATERIAL	
FINAL APPROVAL	DATE
MECH. DES.	DATE
ELECT. DES.	DATE
CHECKED	DATE
DRAWN	DATE
THE TECHNICAL MATERIEL CORP. MAMARONECK, NEW YORK KNOB, PANEL	

SIZE	CODE IDENT. NO.	DWG NO.	ISSUE
A	82679	MP 147	Φ
SCALE 2/1		SHEET	OF

NOTICE TO PERSONS RECEIVING THIS DRAWING
 THE TECHNICAL MATERIEL CORPORATION claims proprietary right in the material disclosed hereon. This drawing is issued in confidence for engineering information only and may not be reproduced or used to manufacture anything shown hereon without permission from THE TECHNICAL MATERIEL CORPORATION to the user. This drawing is loaned for mutual assistance and is subject to recall at any time.