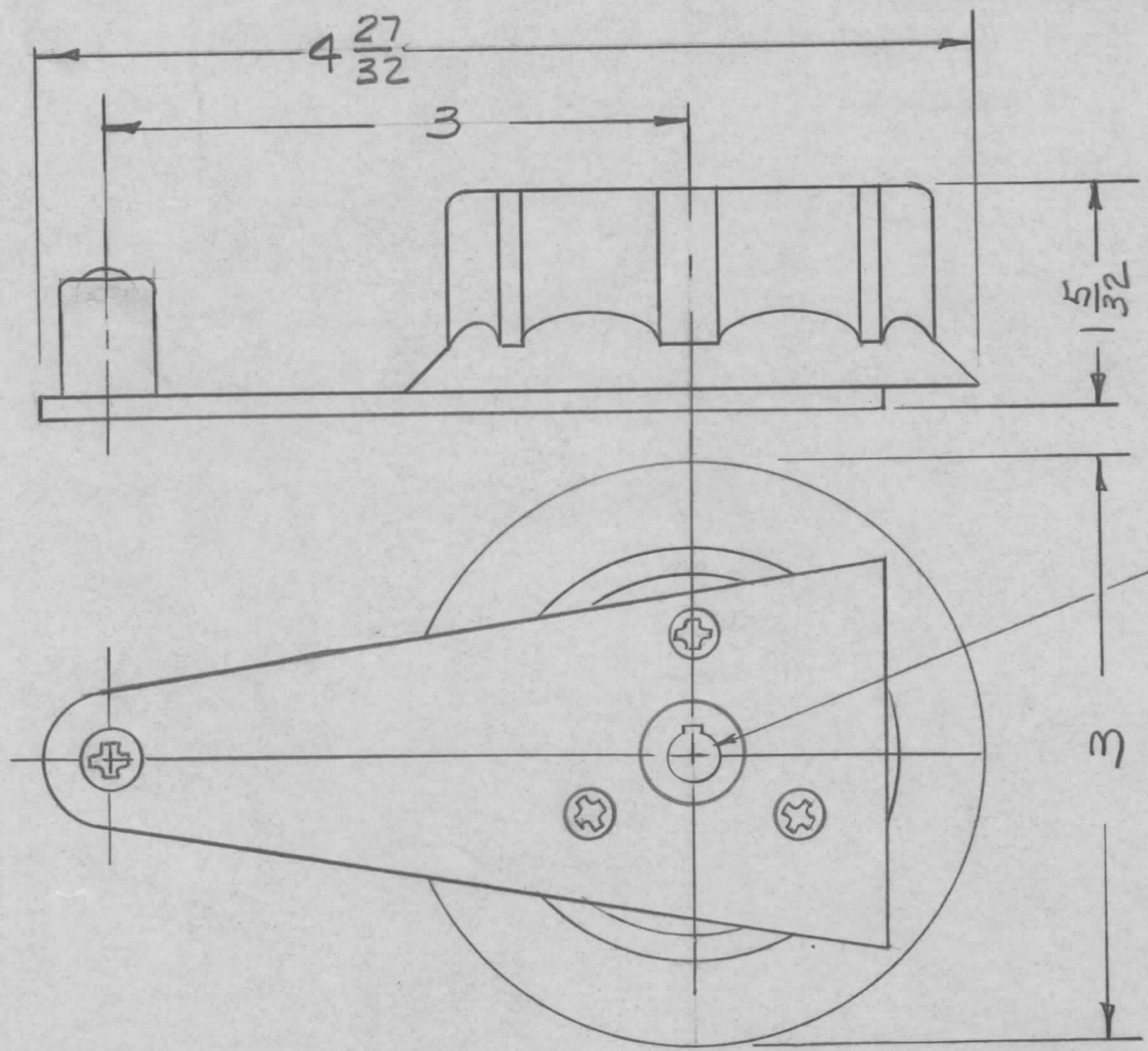


REQ. PER UNIT	USED ON			MP-129	O
	MODEL	ASS'Y. NO.	DATE		
5	GPT-200K	AX-395	11-12-63		



NOTES:
 1-BLACK KNOB WITH HANDLE AND SPUN ALUMINUM INSERT
 2- ALL DIM. FOR REF. ONLY

$\frac{1}{4}$ DIA SHAFT HOLE WITH 2 SET SCREWS AND $\frac{1}{16}$ X .070 DEEP KEYWAY

SYM	DESCRIPTION	DATE	CH. NO.	DRAFTS	CHECKER	ENG. APP.	REQ. ITEM	PART NO.	F. BUDETTI	DESCRIPTION	SYMBOL
									THE TECHNICAL MATERIEL CORP. MAMARONECK, NEW YORK		
									KNOB WITH HANDLE		
									MATERIAL		
									TYPE & TEMPER HEAT TREAT. SPEC.		
									DRAWN CHECKED FINAL APPROVAL		
									ELEC. DES. APP. MECH. DES. APP.		
									FINISH & SPEC. NO.		
									MP-129 O		
									A TURS1 AA 9018 RJC 3-30-64		
									UNLESS OTHERWISE SPECIFIED DIMENSIONS ARE IN INCHES AND INCLUDE CHEMICALLY APPLIED OR PLATED FINISHES		
									SCALE		
									TOLERANCES		
									DECIMALS FRACTIONS		
									CODE		
									A A-3260		