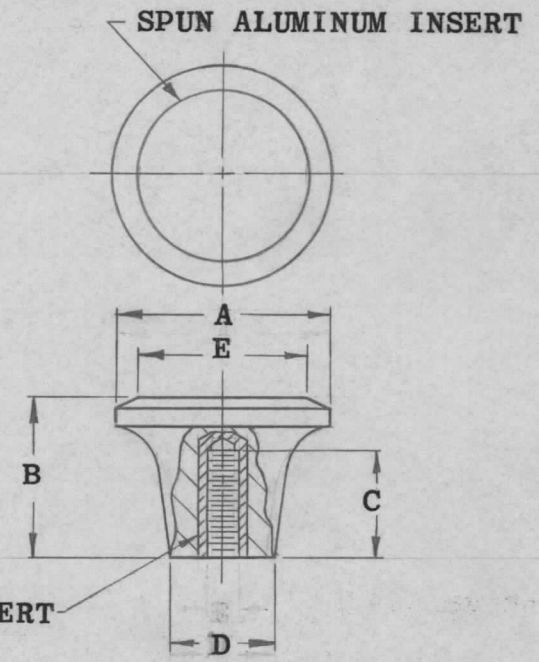


REQ. PER UNIT	USED ON			MP-126	A
	MODEL	ASS'Y. NO.	DATE		
	TTR-10		10-18-63		

TMC PART NO.	MFR. NO.	DIMENSIONS (REF)				
		A	B	C	D	E
MP-126-1	51379-3-40904	1-1/8	13/16	9/32	9/16	1"



NOTE:
 MATERIAL: MOLDED, THERMOSETTING PLASTIC BODY. (PHENOL RESIN OR MELAMINE PHENOL RESIN)

							REQ. ITEM	PART NO.	KOHN	DESCRIPTION	SYMBOL	
										THE TECHNICAL MATERIEL CORP. MAMARONECK. NEW YORK		
								STOCK SIZE				
A	MFG # WAS 5-379-3-40904 C WAS 9/16, E WAS 7/8	6/11/66	16333	WW				SEE NOTE		KNOB, UTILITY		
SYM	DESCRIPTION	DATE	CH. NO.	DRAFTS	CHECKER	ENG. APP.		MATERIAL				
UNLESS OTHERWISE SPECIFIED DIMENSIONS ARE IN INCHES AND INCLUDE CHEMICALLY APPLIED OR PLATED FINISHES		SCALE										
		S-401-155										
								TYPE & TEMPER	HEAT TREAT. SPEC.	DRAWN	CHECKED	FINAL APPROVAL
										R KOHN	W. JORDAN	MP-126
								FINISH & SPEC. NO.		ELEC. DES. APP.	MECH. DES. APP.	A