

TMC PART NO.	MFG PART NO.	DIMENSIONS					ENGRAVING	S
		A	B	C	G	H		
MP-125-1	S-230-64-BB-605-L	3/4	9/16	13/32	15/64	3/16	SEE LETT. NOTE	B-32
MP-125-2	S-230-64-BB-L	3/4	9/16	13/32	15/64	1/4	SEE LETT. NOTE	B-32

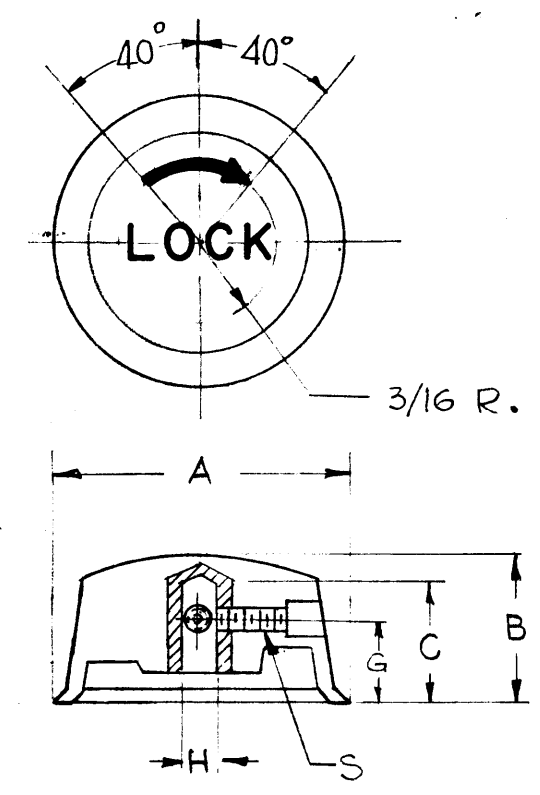
REVISIONS						
SYM	DESCRIPTION	DATE	E.M.N. NO.	DRAFT	CHKD	APPD
A	MP-125-2 ADDED ; ON MP-125-1 "H" WAS 1/4 ; 2 HOLES RE LOCATED	11-15-62	7645			

MP-125

NOTICE TO PERSONS RECEIVING THIS DRAWING

THE TECHNICAL MATERIEL CORPORATION claims proprietary right in the material disclosed hereon. This drawing is issued in confidence for engineering information only and may not be reproduced or used to manufacture anything shown hereon without permission from THE TECHNICAL MATERIEL CORPORATION to the user. This drawing is loaned for mutual assistance and is subject to recall at any time.

Property of:
THE TECHNICAL MATERIEL CORPORATION
 MAMARONECK, NEW YORK



LETTERING NOTE

WHITE FILLED { LETTERING-3/32 GOTHIC
 LINE - .010 DEPTH .015 WIDTH
 ARROWHEAD-.010 DEPTH

REF: KURZ-KASCH, INC. STANDARD KNOBS

REQ'D.	ITEM	PART NUMBER	DESCRIPTION	SYMBOL
LIST OF MATERIAL				
MATERIAL		THE TECHNICAL MATERIEL CORP. MAMARONECK, NEW YORK		
FINISH		TITLE KNOB, INSTRUMENT		
UNLESS OTHERWISE SPECIFIED DIMENSIONS ARE IN INCHES AND INCLUDE CHEMICALLY APPLIED OR PLATED FINISHES		DRAWN G.D.L	DATE 6-28-62	FINAL APPROVAL <i>[Signature]</i>
		CHECKED <i>[Signature]</i>	DATE 6-28-62	
		ELECT. DES.	DATE	
		MECH. DES. <i>T.A.K</i>	DATE	
				MP-125
				A
				SHEET
				REV. LTR.

NOTES

QTY./UNIT	MODEL USED ON	ASS'Y. NO.
SCALE	CODE	
THE CONTENTS OF THIS DRAWING ARE THE EXCLUSIVE PROPERTY OF THE TECHNICAL MATERIEL CORP. ITS UNAUTHORIZED USE OR REPRODUCTION IN WHOLE OR IN PART IS STRICTLY FORBIDDEN.		

DECIMALS	TOLERANCES	FRACTIONS
.X ± .05		± 1/64
.XX ± .01		ANGLES ± 0° 30'
.XXX ± .005		