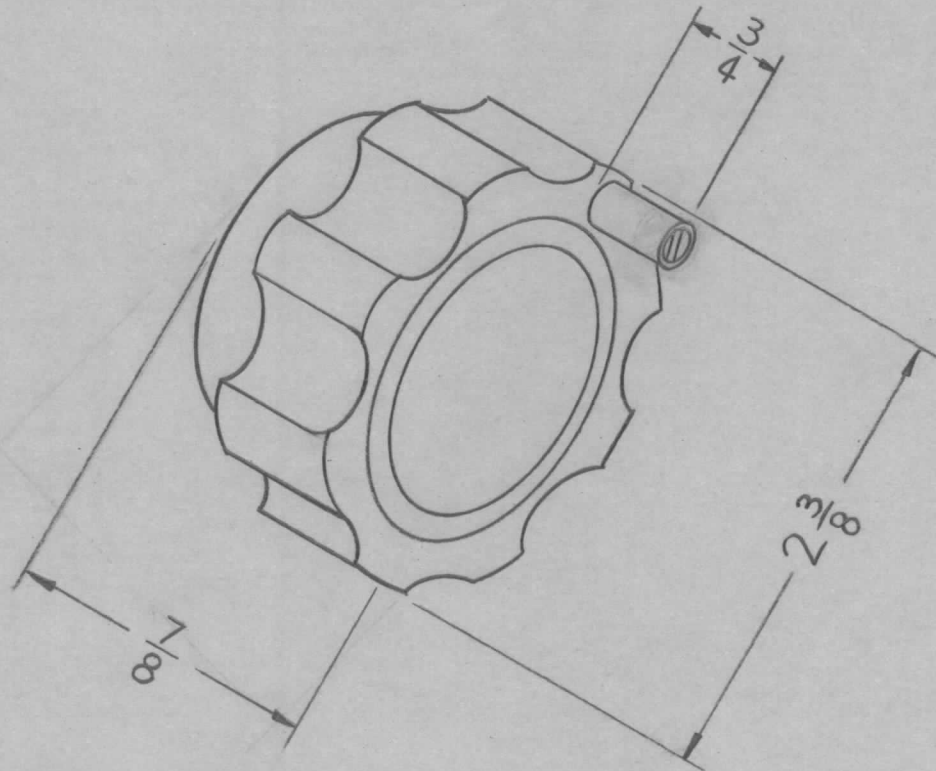


REQ. PER UNIT	USED ON			MP-120
	MODEL	ASS'Y. NO.	DATE	
1	RAK-7B		3-3-61	



							REQ. ITEM	PART NO.	DESCRIPTION			SYMBOL	
									THE TECHNICAL MATERIEL CORP.				
									MAMARONECK, NEW YORK				
									SLIP KNOB ASS'Y				
									MATERIAL				
ISSUE	ITEM	CHANGED FROM	DATE	CH. NO.	DRAFTS	CHECKER	ENG. APP.			R. UZZO	<i>[Signature]</i>	<i>[Signature]</i>	
TOLERANCES			SCALE: 1A-2068								FINAL APPROVAL		
DEC. DIM. ±			MAXIMUM ALLOWABLE TOLERANCES HAVE BEEN DETERMINED AND ANY DEVIATIONS WILL BE CAUSE FOR REJECTION. REMOVE ALL BURRS AND SHARP EDGES				TYPE & TEMPER		HEAT TREAT. SPEC.		DRAWN		CHECKED
FRAC. DIM. ±							FINISH & SPEC. NO.		ELEC. DES. APP		MECH. DES. APP		MP-120
ANGULAR DIM. ±													