

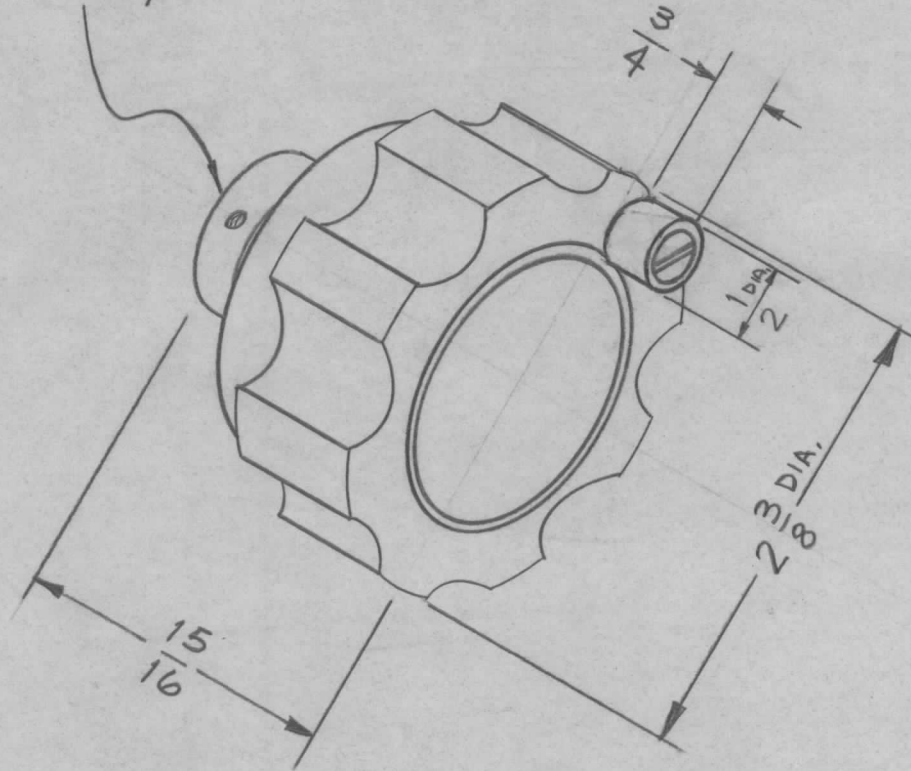
NOTICE TO PERSONS RECEIVING THIS DRAWING

THE TECHNICAL MATERIEL CORPORATION claims proprietary right in the material disclosed hereon. This drawing is issued in confidence for engineering information only and may not be reproduced or used to manufacture anything shown hereon without permission from THE TECHNICAL MATERIEL CORPORATION to the user. This drawing is loaned for mutual assistance and is subject to recall at any time.

Property of:

THE TECHNICAL MATERIEL CORPORATION
MAMARONECK, NEW YORK

SHAFT HOLE
.252 DIA. X $\frac{1}{4}$ DEEP



REQ. PER. UNIT	USED ON		
	MODEL	ASS'Y. NO.	DATE
2	GPT-750	RTF (F/P)	4-21-59
4	GPT-10KW		"
2	GPT-10KW	RFB-1	"

MP-113

REQ.	ITEM	PART NO.	DESCRIPTION	SYMBOL							
			THE TECHNICAL MATERIEL CORP. MAMARONECK, NEW YORK								
			SLIP KNOB ASS'Y								
ISSUE	ITEM	CHANGED FROM	DATE	CH. NO.	DRAFTS	CHECKER	ENG. APP.	MATERIAL			
TOLERANCES			SCALE:		2A-1625				J.C. BIELE	<i>Hoe</i>	<i>MB</i>
DEC. DIM. ±			MAXIMUM ALLOWABLE TOLERANCES HAVE BEEN DETERMINED AND ANY DEVIATIONS WILL BE CAUSE FOR REJECTION. REMOVE ALL BURRS AND SHARP EDGES								
FRAC. DIM. ±											
ANGULAR DIM. ±											
TYPE & TEMPER		HEATTREAT. SPEC.		DRAWN		CHECKED		FINAL APPROVAL			
				<i>ATB</i>		<i>MB</i>		MP-113			
FINISH & SPEC. NO.		ELEC. DES. APP.		MECH. DES. APP.							