

IF IT IS FOUND DESIRABLE TO CHANGE ANY TOLERANCE OR OTHER DETAIL SPECIFIED ON THIS DRAWING NOTIFY THE PURCHASER PROMPTLY.

# STANDARD DRAWING

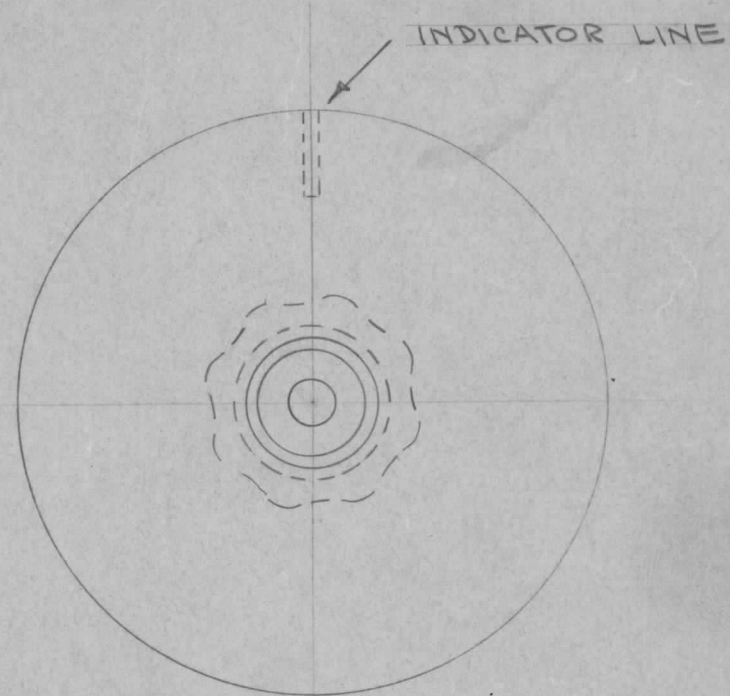
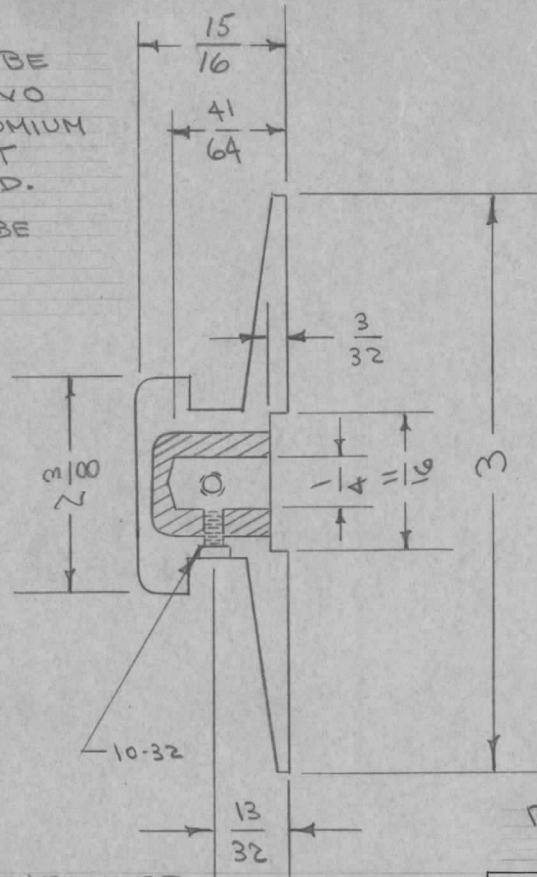
MP-107 B

MAXIMUM ALLOWABLE TOLERANCES HAVE BEEN DETERMINED AND DEVIATIONS WILL BE CAUSE FOR REJECTION. REMOVE ALL BURRS AND SHARP EDGES

USED ON

|       |             |           |      |
|-------|-------------|-----------|------|
| MODEL | PROJECT NO. | ASSY. NO. | DATE |
|-------|-------------|-----------|------|

NOTE: EACH KNOB SHALL BE DELIVERED WITH TWO ALLEN HEAD TYPE, CADMIUM PLATED, CUP POINT SET SCREWS, INSTALLED. THE INSERT SHALL BE BRASS.



REF: KURZ KASCH INC.  
HARRY DAVIES

MP-107-1 IND LINE UNFILLED  
CAT NO S-312-64-BB-DD  
MP-107-2 IND LINE WHITE FILLED  
CAT NO S-312-64-BB-DD-L

| REQ. | ITEM | PART NO.           | DESCRIPTION  | SYMBOL                          |
|------|------|--------------------|--|---------------------------------|
|      |      | #                  | THE TECHNICAL MATERIEL CORP.<br>MAMARONECK, NEW YORK |                                 |
|      |      | STOCK SIZE         |  |                                 |
|      |      | #                  | KNOB, INSTRUMENT                                     |                                 |
|      |      | MATERIAL           | SKIRT TYPE   |                                 |
|      |      | WEIGHT PER PC.     |  |                                 |
|      |      |                    | C.D.D. 3-8-54  |                                 |
|      |      | TYPE & TEMPER      | G.T.O  |                                 |
|      |      |                    | DRAWN  | ELEC. DES. APP. MECH. DES. APP. |
|      |      | HEAT TREAT. SPEC.  | J.H. De  |                                 |
|      |      |                    | CHECKED  | FINAL APPROVAL                  |
|      |      | FINISH & SPEC. NO. | Supersedes<br>MP-101                                 |                                 |

| B          | 1   | 1 5/16 DIM WAS 1-5/16 | 10-25-62  | 7522    | af      | J.H. De |           |
|------------|---|-----------------------|---|---------|---------|---------|-----------|
| A          | 1   | CAT NOS. ADDED        | 6/8/54  | 1       | J.H. De |         |           |
| ISSUE      | ITEM  | CHANGED FROM          | DATE  | CN. NO. | DRAFTS  | CHECKER | ENG. APP. |
| TOLERANCES |   |                       | SCALE   |         |         |         |           |
| ALL OTHERS | DEC. DIM. ±<br>FRAC. DIM. ±<br>ANGULAR DIM. ± |                       | DRILL, PUNCH, COMMERCIAL STOCK<br>SIZES AND MANUFACTURERS<br>TOLERANCES ARE NOT INCLUDED. |         |         |         |           |