

IF IT IS FOUND DESIRABLE TO CHANGE ANY TOLERANCE OR OTHER DETAIL SPECIFIED ON THIS DRAWING NOTIFY THE PURCHASER PROMPTLY.

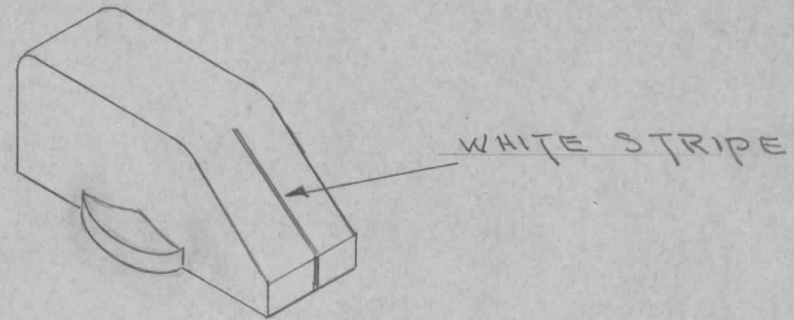
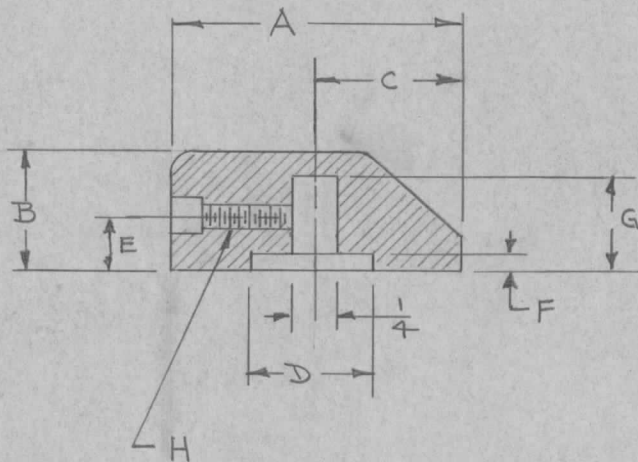
MP-103

MAXIMUM ALLOWABLE TOLERANCES HAVE BEEN DETERMINED AND DEVIATIONS WILL BE CAUSE FOR REJECTION. REMOVE ALL BURRS AND SHARP EDGES

USED ON

MODEL	PROJECT NO.	ASS'Y. NO.	DATE
TAC-1	132		7-30-53

TMC NO	KURZ-KASCH PART NO	A	B	C	D	E	F	G	H
MP-103-1	S-626-1L	1 1/2	5/8	3/4	5/8	9/32	3/32	1/2	8-32



NOTE:
Dimensions For REF. Only.

REF: KURZ-KASCH, INC.

REQ.	ITEM	PART NO.	DESCRIPTION	SYMBOL
			THE TECHNICAL MATERIEL CORP. MAMARONECK. NEW YORK	
		STOCK SIZE		
			KNOB, POINTER	
		MATERIAL	WEIGHT PER PC.	
		TYPE & TEMPER		
		HEAT TREAT. SPEC.		
		FINISH & SPEC. NO.		

ISSUE	ITEM	CHANGED FROM	DATE	CN. NO.	DRAFTS	CHECKER	ENG. APP.

TOLERANCES	SCALE
ALL OTHERS DEC. DIM. ± FRAC. DIM. ± ANGULAR DIM. ±	DRILL, PUNCH, COMMERCIAL STOCK SIZES AND MANUFACTURERS TOLERANCES ARE NOT INCLUDED.

7-30-53
DRAWN
ELEC. DES. APP.
MECH. DES. APP.
CHECKED
FINAL APPROVAL
MP-103