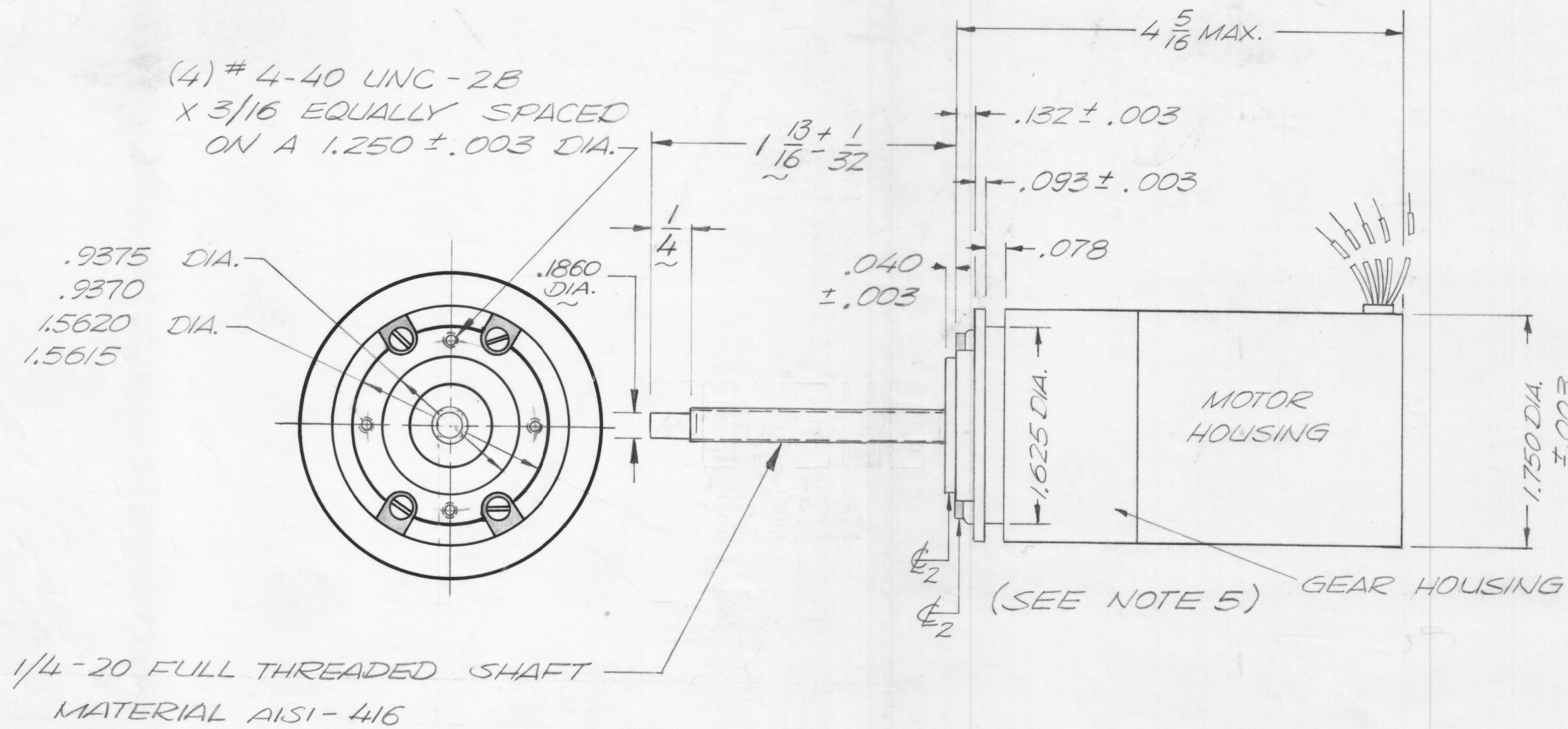


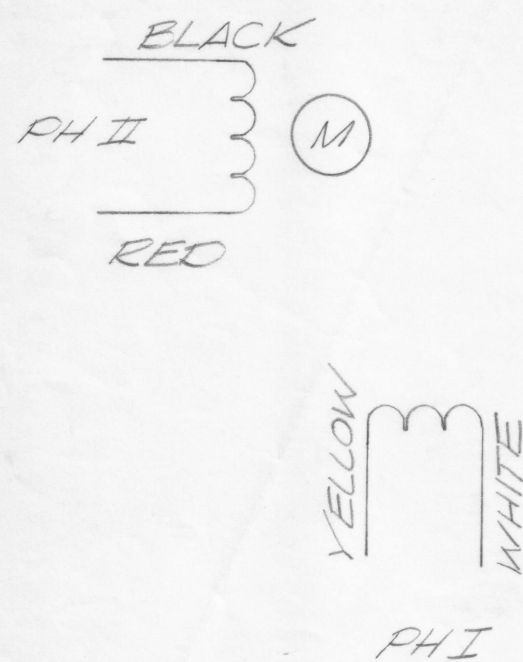
REVISIONS							
E.M.N.O	DRAFT	CHKD	ZONE	LTR	DESCRIPTION	DATE	APPROVED
	GE			X	EXP RELEASE	3/7/70	
	GE			X	DELE HARDWARE ON THD SHAFT	12/3/71	
	W			Ø	ORIGINAL RELEASE FOR PRODUCTION	1/10/72	
20566	GE	ej		A	ADDED REFERANCE A4819	3-24-72	ej



MOTOR ELECTRICAL DATA	PHASE I	PHASE II
FREQUENCY (HZ)	50/60	50/60
VOLTAGE	220	36
POWER AT STALL (WATTS)	13.3	14.0
POWER FACTOR AT STALL	.605	.650
CURRENT AT STALL (AMPS)	.099	.600

MECHANICAL CHARACTERISTICS	
TORQUE AT STALL (OZ-IN)	7.0
SPEED WITH NO LOAD (RPM)	3200
OUTPUT POWER (MAX WATTS)	4.2
TORQUE AT 1800 RPM (OZ-IN)	3.2
GEAR RATIO	9 TO 1
OPERATING TEMP RANGE	0 TO +71°C

- NOTES:
- PERFORMANCE IS APPLICABLE WHEN AT 25°C UNLESS OTHERWISE SPECIFIED, (AND AT 60 CPS).
 - SHAFT RUNOUT: .001 TIR MAX MEASURED 1/8 FROM END OF SHAFT.
 - RADIAL PLAY: .002 INCH PER INCH LENGTH WITH A 4 OZ GAUGE LOAD.
 - END PLAY: .004 MAX WITH A 16 OZ REVERSING LOAD.
 - DIAMETERS MARKED ϕ_2 SHALL BE CONCENTRIC TO ϕ_1 WITHIN .001 TIR.
 - ROTATION: CW SHAFT END WHEN RED LEADS YELLOW WITH WHITE AND BLACK COMMON.
 - FINISH: GEAR HEAD ~ BLACK ANODIZE
MOTOR ~ STAINLESS STEEL
 - RATED OUTPUT TORQUE 25 OZ-IN @ 200 RPM



(REF. A4819)

1	HFLA 10K	AX 5114
QTY / UNIT	MODEL USED ON	ASS'Y NO.
APPLICATION		
CODE	S401-353 GS18F-9	

NOTICE TO PERSONS RECEIVING THIS DRAWING
THE TECHNICAL MATERIEL CORPORATION claims proprietary right in the material disclosed hereon. This drawing is issued in confidence for engineering information only and may not be reproduced or used to manufacture anything shown hereon without permission from THE TECHNICAL MATERIEL CORPORATION to the user. This drawing is loaned for mutual assistance and is subject to recall at any time.

QTY. REQ.	ITEM	PART NO.	DESCRIPTION	SYMBOL
F.B. LIST OF MATERIAL				
THE TECHNICAL MATERIEL CORP. MAMARONECK, NEW YORK				
MOTOR GENERATOR				
TOLERANCES ON		FINAL APPROVAL	DATE	
DECIMALS	FRACTIONS	<i>[Signature]</i>	1/5/72	
.X ± .05	± 1/64	MECH. DES.	DATE	
.XX ± .01	ANGLES	<i>[Signature]</i>	1/5/72	
.XXX ± .005	± 0° -30'	ELECT. DES.	DATE	
MATERIAL AS NOTED		CHECKED	DATE	
FINISH AS NOTED		DRAWN	DATE	
		G. EVANGELIST	3/5/70	
SIZE	CODE IDENT NO.	DWG NO.	ISSUE	
C	82679	M10 139	A	
SCALE	SHEET			OF