

FREQUENCY, CPS. 50/60
 STALL TORQUE, OZ. IN. 6.0 NOM.
 NO LOAD SPEED, R.P.M. 3200
 MAX. POWER OUTPUT, WATTS _____
 TORQUE AT RATED
 OUTPUT, OZ. IN. 1.4 MIN.
 SPEED AT RATED
 OUTPUT, R.P.M. 2700
 ROTOR INERTIA, GM-CM² 7.7
 THEORETICAL ACCELERATION
 AT STALL, RAD/SEC² _____
 TIME CONSTANT, SECONDS _____
 WEIGHT, OZ. _____

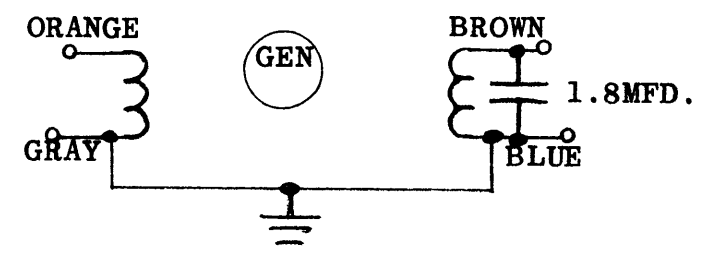
| REVISIONS | | | | | | |
|-----------|-----|------------------------|----------|----------|-------|-----------|
| ZONE | LTR | DESCRIPTION | DATE | E.M.N.NO | DRAFT | CHKD APPD |
| | X | EXP. RELEASE | 8.19.68 | | HG. | |
| | Ø | ORIG. RELEASE FOR PROD | 10-22-68 | | R.G. | |
| | A | ADD. B-5401-353 | 6/4/70 | W | KL | CW |

| ** TYPICAL ELECTRICAL CHARACTERISTICS | MOTOR | | GENERATOR |
|---------------------------------------|-------------|---------------|-------------|
| | FIXED PHASE | CONTROL PHASE | FIXED PHASE |
| VOLTAGE, VOLTS | 115 | 36 CT | 26 |
| CURRENT, AMPS. | .173 | .550 | 0.121 |
| POWER INPUT, WATTS | 14.0 | 14.0 | 2.86 |
| POWER FACTOR | 0.70 | 0.70 | 0.91 |
| R OHMS | 465 | 46.5 | 196 |
| X OHMS | 474 | 47.4 | 89 |
| Z OHMS | 665 | 66.5 | 215 |
| EFFECTIVE R OHMS | 950 | 95.0 | 238 |
| UNITY P.F. CAPACITOR, M.F.D. | 2.5 | 25 | 4.6 |

**FREQUENCY 60 CPS
 MEASURED AT STALL AT A WINDING TEMP OF 25°C.

ADDITIONAL GENERATOR INFORMATION
 OUTPUT GRADIENT, VOLTS 1000R.P.M. 1.0
 NULL VOLTAGE, VOLTS (MAX. R.M.S.) .015
 NULL VOLTAGE, FUNDAMENTAL .006
 *PHASE ANGLE WITH RESPECT TO
 INPUT AT 3600 R.P.M. 0°
 OUTPUT IMPEDANCE, OHMS 1500
 OUTPUT LOAD
 AMBIENT TEMP. RANGE 0 C TO +71°C
 *CAP 1.8 MFD ACROSS OUTPUT @60 ~

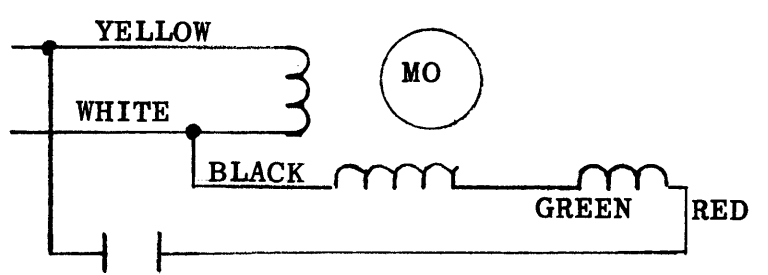
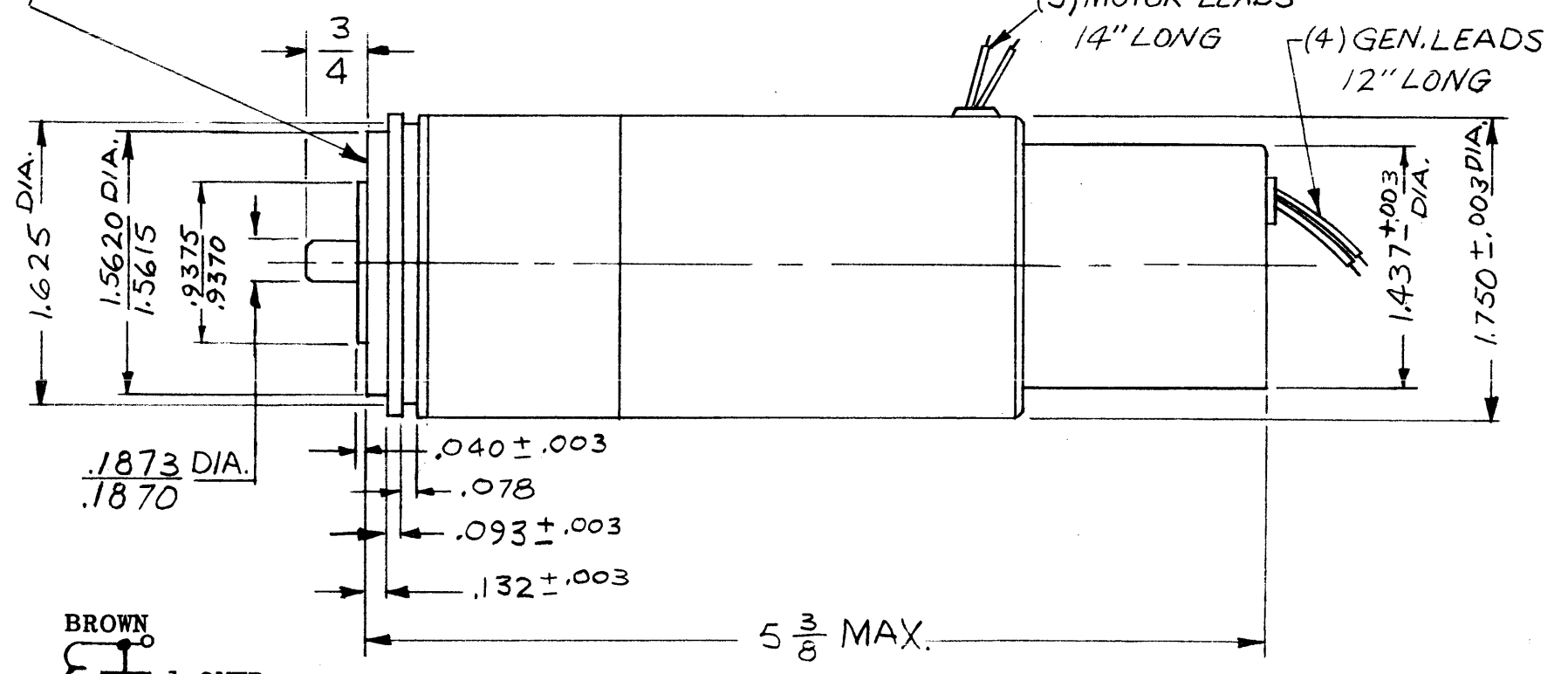
GEAR RATIO 2.5:1



WITH CONN. DIAGRAM AS SHOWN Eo APPROX. 180° OUT OF PHASE WITH THE INPUT VOLTAGE WHEN SHAFT IS DRIVEN CW FACING SHAFT END.

| | | |
|---|---------------|-----------|
| 1 | HFRR-4 | |
| QTY / UNIT | MODEL USED ON | ASS'Y NO. |
| APPLICATION | | |
| | CODE | |
| NOTICE TO PERSONS RECEIVING THIS DRAWING THE TECHNICAL MATERIEL CORPORATION claims proprietary right in the material disclosed hereon. This drawing is issued in confidence for engineering information only and may not be reproduced or used to manufacture anything shown hereon without permission from THE TECHNICAL MATERIEL CORPORATION to the user. This drawing is loaned for mutual assistance and is subject to recall at any time. | | |

(A) #4-40 NC-28 TAPPED HOLES
 .187 DEEP, EQUALLY SPACED ON
 1.250 ± .002 DIA. B.C.



WITH ROTATIONAL DIAGRAM AS SHOWN THE SHAFT ROTATION IS CW SHAFT BNC

| REQ'D | ITEM | PART NUMBER | DESCRIPTION | SYM. |
|--|-----------------|-------------|-------------|------|
| LIST OF MATERIAL | | | | |
| THE TECHNICAL MATERIEL CORP. MAMARONECK, NEW YORK | | | | |
| MOTOR, SERVO | | | | |
| SIZE | CODE IDENT. NO. | DWG NO. | ISSUE | |
| B | 82679 | MO 137 | A | |
| SCALE | SHEET | | OF | |