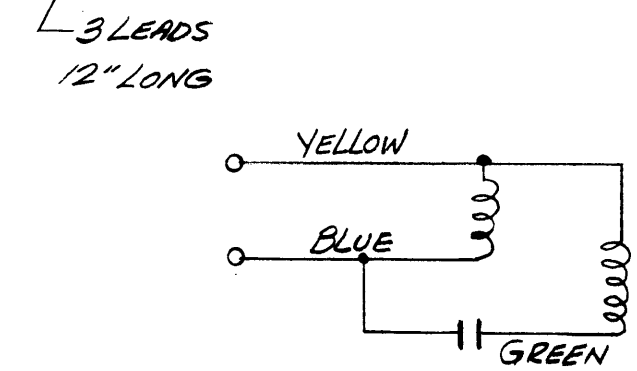
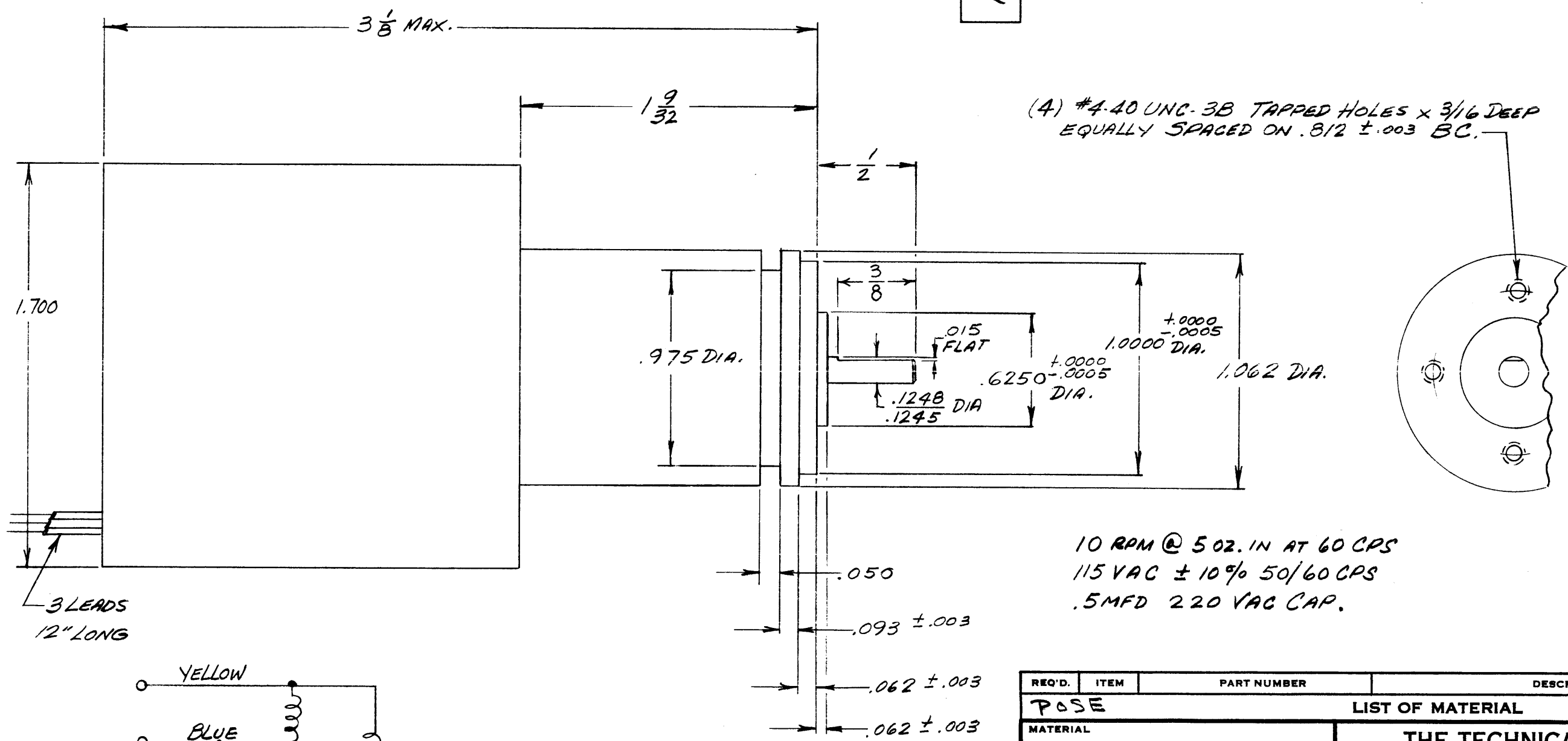


# STANDARD DRAWING

MO131

REVISIONS						
SYM	DESCRIPTION	DATE	E.M.N. NO.	DRAFT	CHKD	APPD
Ø	ORIGINAL RELEASE FOR PRODUCTION	5/19/65		CW		
A	3/8 X .015 FLAT ADDED	12/29/65	15469	M.V.J.		J.P.A. J.C.



CW ROTATION FACING GEAR OUTPUT SHAFT. TO REVERSE INTERCHANGE BLUE & GREEN LEADS.

**NOTES**

Q'TY./UNIT		MODEL USED ON		ASS'Y. NO.	
SCALE		CODE	S401-116 (BC1507G-7-1)		
THE CONTENTS OF THIS DRAWING ARE THE EXCLUSIVE PROPERTY OF THE TECHNICAL MATERIEL CORP. ITS UNAUTHORIZED USE OR REPRODUCTION IN WHOLE OR IN PART IS STRICTLY FORBIDDEN.					

REQ'D.	ITEM	PART NUMBER	DESCRIPTION	SYMBOL
<b>POSE</b>				
MATERIAL			LIST OF MATERIAL	
FINISH			THE TECHNICAL MATERIEL CORP. MAMARONECK, NEW YORK	
TITLE			MOTOR & GEAR HEAD	
UNLESS OTHERWISE SPECIFIED DIMENSIONS ARE IN INCHES AND INCLUDE CHEMICALLY APPLIED OR PLATED FINISHES		DRAWN	DATE	FINAL APPROVAL
DECIMALS .X ± .05 .XX ± .01 .XXX ± .003		ALA	5-5-65	M.V.J.
FRACTIONS ± 1/64 ANGLES ± 0° 30'		CHECKED	DATE	DATE
TOLERANCES		J.P.A.	5/19/65	5/17/65
		ELECT. DES.	DATE	
		Mech. DES.	DATE	
			5/19/65	