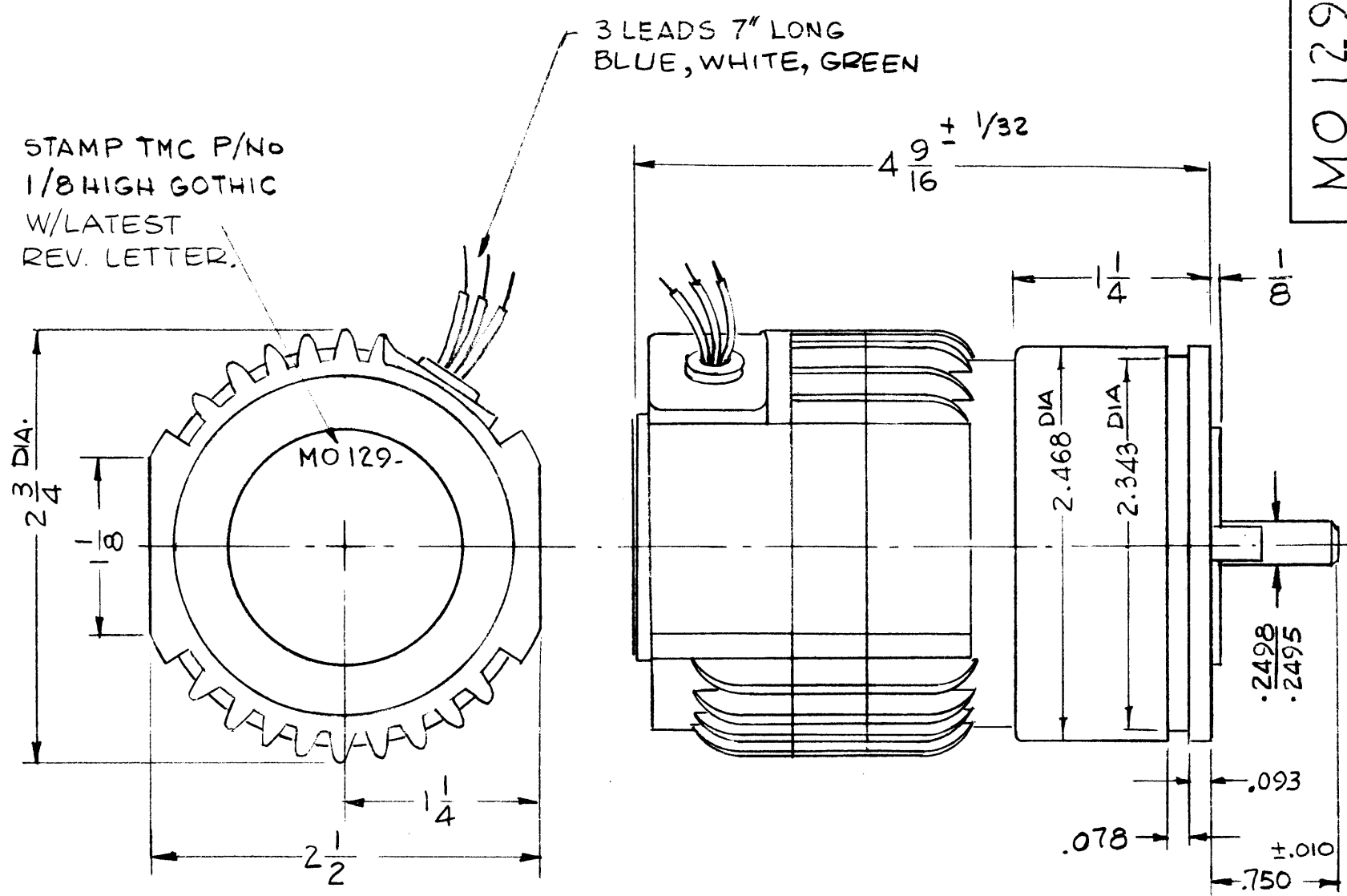


# STANDARD DRAWING

MO 129

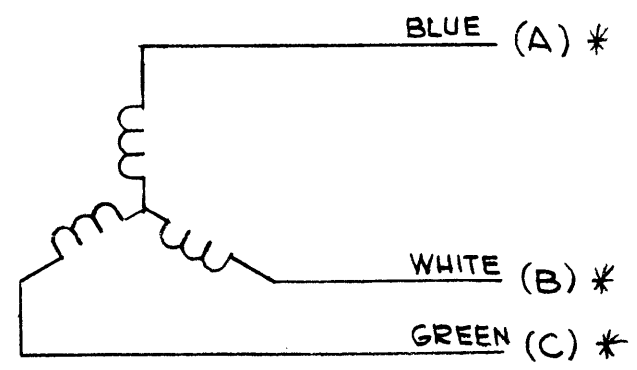
REVISIONS					
SYM	DESCRIPTION	DATE	E.M.N. NO.	DRAFT	CHKD
Ø	ORIGINAL RELEASE FOR PRODUCTION	6-17-65	M	JC	
A	U/O BLK. 2 REQ. WAS 1. DIM .078 WAS .78.	7/1/65	15288	J.V.	JCB
B	REMOVED FLATS FROM OUTPUT SHAFT	7-25-66	10670	RNE	JCB



ANTI ROTATION PIN 1/8D.X1/8L.  
LOCATED ON A .984 R.

- SPECIFICATIONS -
- AMBIENT TEMP. RANGE - 0°C TO +71°C
  - LIFE - 5000 HOURS
  - CONT. LOAD - 65 OZ. IN
  - INT. LOAD - 250 OZ. IN
  - INPUT POWER - 25W @ 220V ± 10%
  - 50/60 CPS - 3PH., 0.14 A
  - H. P. - 1/80 @ 180 R.P.M.
  - TEMP. RISE - 40°C @ 220V, RATED LOAD
  - GEAR RATIO - 20:3
  - CW ROTATION FACING SHAFT END.
  - \* PHASE SEQUENCE A-B-C

MTG. HOLES \* 8-32 NC-2B TAPPED  
EQUALLY SPACED ON 1.968 ± .003



- SCHEMATIC -

### NOTES

2	TSTE-10K	
Q'TY./UNIT	MODEL USED ON	ASS'Y. NO.
SCALE	CODE	SA01-116-BT22156
DO NOT SCALE.	C	

THE CONTENTS OF THIS DRAWING ARE THE EXCLUSIVE PROPERTY OF THE TECHNICAL MATERIEL CORP. ITS UNAUTHORIZED USE OR REPRODUCTION IN WHOLE OR IN PART IS STRICTLY FORBIDDEN.

REQ'D.	ITEM	PART NUMBER	DESCRIPTION	SYMBOL
<b>F. BUDETTI LIST OF MATERIAL</b>				
MATERIAL			<b>THE TECHNICAL MATERIEL CORP. MAMARONECK, NEW YORK</b>	
FINISH			TITLE	
BLACK ANODIZE			GEAR MOTOR	
UNLESS OTHERWISE SPECIFIED DIMENSIONS ARE IN INCHES AND INCLUDE CHEMICALLY APPLIED OR PLATED FINISHES				
DRAWN	DATE	FINAL APPROVAL		DATE
CHECKED	DATE	MO 129		6/22/65
ELECT. DES.	DATE	B		REV. LTR.
MECH. DES.	DATE	SHEET		REV. LTR.