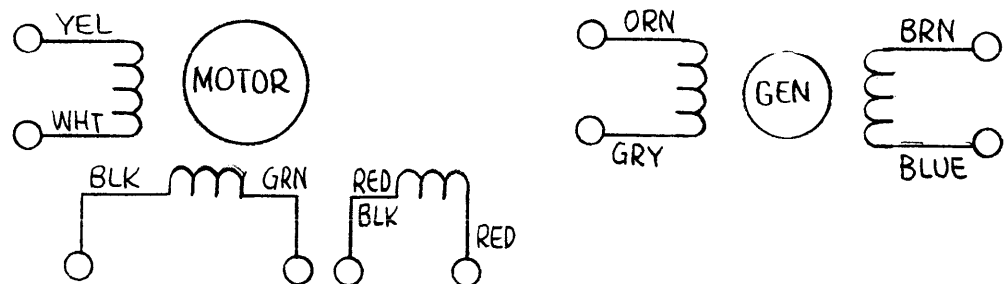


STANDARD DRAWING

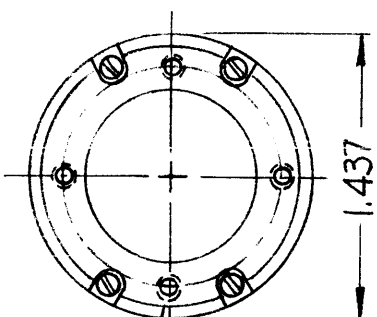
SCHEMATIC DIAGRAM



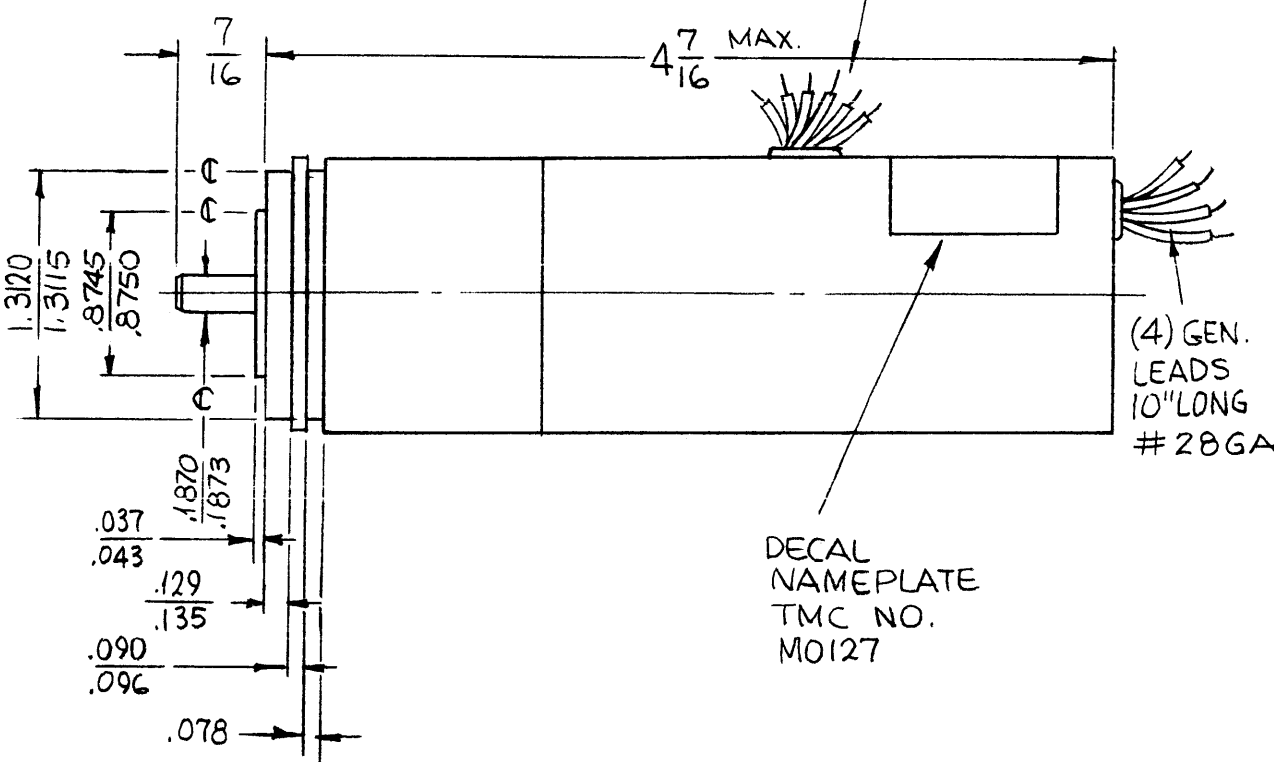
(6) MOTOR LEADS 12" LONG. #28GA

MO127

REVISIONS						
SYM	DESCRIPTION	DATE	E.M.N. NO.	DRAFT	CHKD	APPD
Ø	ORIGINAL RELEASE FOR PRODUCTION	10/20/65	Ø			MMH
A	ADDED #28GA TO LEADS	6.3.68	18946	#2		FBJ
B	FINISH STAINLESS ST. WAS BLACK OXIDE S 401 - 353 (GST 15F-4) ADD.	3/10/70	19780	#14	MR	RTN



NO. 4-40 NC-2A 3/16 DEEP
(4) HOLES EQUALLY SPACED ON A 1.100 ± .003 DIA.



SPECIFICATIONS

FREQUENCY, CPS - 50/60
 STALL TORQUE, OZ.IN - 1.2 (MIN.)
 NO LOAD SPEED, RPM - 3000
 TORQUE AT MAX. POWER OUTPUT, OZ IN - 0.72
 SPEED AT MAX. POWER OUTPUT RPM. - 1600

TYPICAL ELECTRICAL * CHARACTERISTICS	MOTOR		GENERATOR
	FIXED PHASE	CONTROL PHASE	FIXED PHASE
VOLTAGE, VOLTS	115	40	26
CURRENT, AMPS	.063	.182	0.121
POWER INPUT, WATTS	6.0	6.4	2.86

MEASURED AT STALL AT - A WINDING TEMP. 25°C

ADDITIONAL GENERATOR INFO.

* OUTPUT GRADIENT, VOLTS 1000 RPM. - 1.0 MIN.
 ** NULL VOLTAGE, VOLTS (MAX. R.M.S) - .015

NOTES:

- * FREQUENCY - 60 ~
- ** OVER OPERATING TEMP. RANGE OF 0°C TO +55°C
- DIA.'S MARKED "C" MUST BE CONCENTRIC WITHIN .001 T.I.R.
- BACKLASH (AT OUTPUT SHAFT) MEASURED WITH A 5" OUNCE REVERSING LOAD 45' MAX.
- MAX. CONT. LOAD 50 OZ. IN
- MAX. INTERMITTENT LOAD 100 OZ. IN.

NOTES

1	RFTA-1	
Q'TY./UNIT	MODEL USED ON	ASS'Y. NO.
SCALE 1:1	CODE C	S401-116 (BT1407MAG-1) S401-353 (GST15F-4)

THE CONTENTS OF THIS DRAWING ARE THE EXCLUSIVE PROPERTY OF THE TECHNICAL MATERIEL CORP. ITS UNAUTHORIZED USE OR REPRODUCTION IN WHOLE OR IN PART IS STRICTLY FORBIDDEN.

REQ'D.	ITEM	PART NUMBER	DESCRIPTION	SYMBOL
F. BUDETTI LIST OF MATERIAL				
MATERIAL			THE TECHNICAL MATERIEL CORP. MAMARONECK, NEW YORK	
FINISH MOTOR - STAINLESS STEEL GEAR HEAD - BLACK ANODIZE			TITLE MOTOR	
UNLESS OTHERWISE SPECIFIED DIMENSIONS ARE IN INCHES AND INCLUDE CHEMICALLY APPLIED OR PLATED FINISHES		DRAWN	DATE	FINAL APPROVAL
DECIMALS .X ± .05 .XX ± .01 .XXX ± .005		CHECKED	DATE	DATE
FRACTIONS ± 1/64 ANGLES ± 0° 30'		ELECT. DES.	DATE	DATE
TOLERANCES		MECH. DES.	DATE	DATE
			10/19/65	10/20/65
			10-21-65	