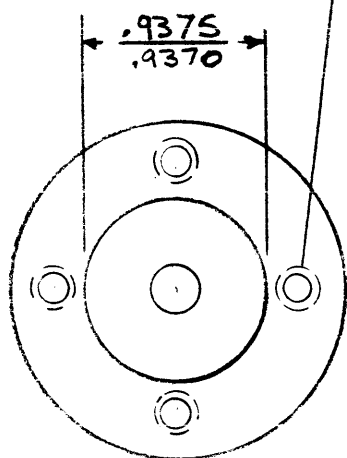
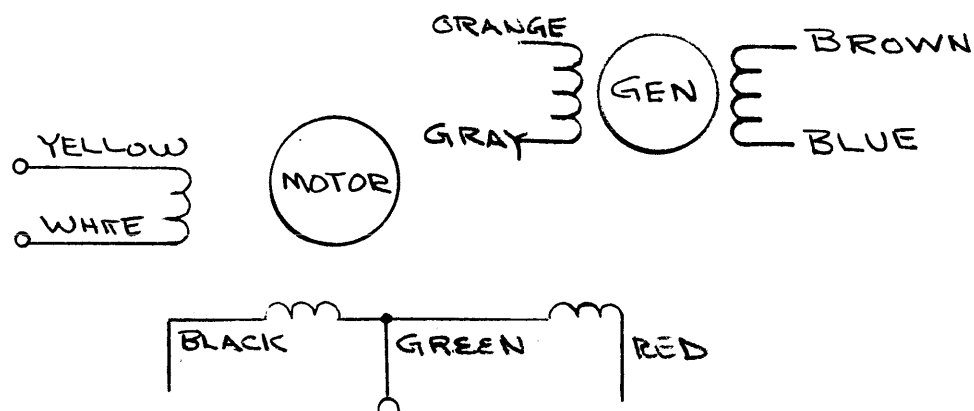


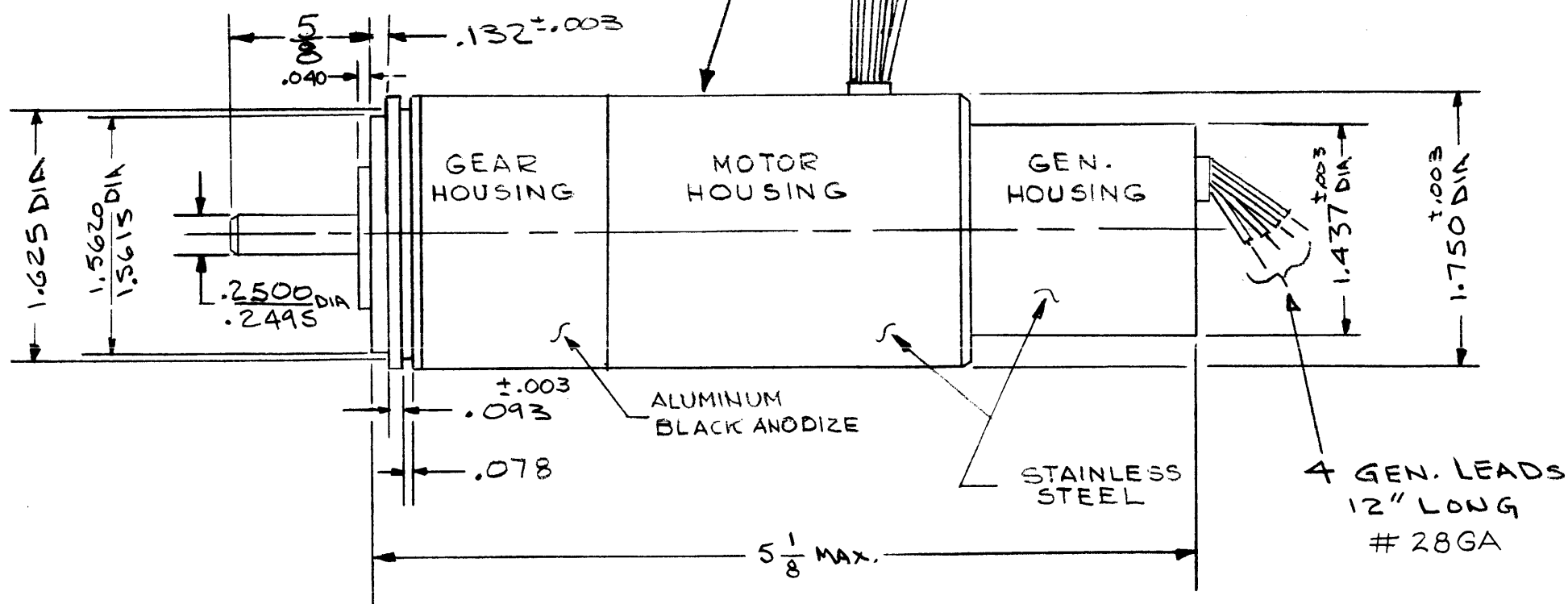
# STANDARD DRAWING



(4) #4-40NC2  
TAPPED HOLES 3/16  
DEEP EQUALLY SPACED  
ON 1.250 ± .003 DIA. B.C.

MARK TMC PART NO  
W/ LATEST REVISION  
ON NAME PLATE

(5) MOTOR LEADS  
14" LONG #24 GA



4 GEN. LEADS  
12" LONG  
#28 GA

MO126

REVISIONS						
SYM	DESCRIPTION	DATE	E.M.N. NO.	DRAFT	CHKD	APPD
Ø	ORIGINAL RELEASE FOR PROD	10/22/65	Ø			
A	DIM. .2500/.2495 WAS 2.500/2.495 MAT'L NOTES & IDENT. SECS. ADDED	6.6.66	16337	CDL		
B	ADDED #24GA & #28GA TO LEADS	6.3.68	18946	HZ.		FBA

MOTOR CONTROL	
FREQUENCY, C.P.S.	50/60
STALL TORQUE, OZ IN	4.0
NO LOAD SPEED, R.P.M.	3200
MAX. POWER OUTPUT, WATTS	3

TYPICAL ELECTRICAL CHARACTERISTICS	MOTOR		GENERATOR
	FIXED PHASE	CONTROL PHASE	FIXED PHASE
VOLTAGE, VOLTS	220 ± 10%	36	26
CURRENT, AMPS	.067	.330	0.121
POWER INPUT WATTS	10.3	8.3	286

MEASURED AT STALL AT A WINDING TEMP. 25°C

ADDITIONAL GENERATOR INFORMATION

OUTPUT GRADIENT, VOLTS 1000 R.P.M. 1.0 MIN

NULL VOLTAGE, VOLTS (MAX. R.M.S.) .015

AMBIENT TEMPERATURE RANGE 0°C TO 70 C

OUTPUT: 60 OZ. IN. AT 50 RPM AT 60 CPS MAX.  
OPERATING TORQUE 150 OZ. IN. MOMENTARY  
LOAD TORQUE 250 OZ. IN. MAX.

Q'TY./UNIT	MODEL USED ON	ASS'Y. NO.
2	RFTA-1	
SCALE	CODE	3401-116
DO NOT SCALE		STATOR MAG-2

THE CONTENTS OF THIS DRAWING ARE THE EXCLUSIVE PROPERTY OF THE TECHNICAL MATERIEL CORP. ITS UNAUTHORIZED USE OR REPRODUCTION IN WHOLE OR IN PART IS STRICTLY FORBIDDEN.

REQ'D.	ITEM	PART NUMBER	DESCRIPTION	SYMBOL
<b>BUDETTI LIST OF MATERIAL</b>				
MATERIAL			<b>THE TECHNICAL MATERIEL CORP. MAMARONECK, NEW YORK</b>	
FINISH			TITLE <b>MOTOR GENERATOR</b>	
UNLESS OTHERWISE SPECIFIED DIMENSIONS ARE IN INCHES AND INCLUDE CHEMICALLY APPLIED OR PLATED FINISHES				
DECIMALS	TOLERANCES		FRACTIONS	
.X ± .05			± 1/64	
.XX ± .01			ANGLES	
.XXX ± .005			± 0° 30'	
DRAWN	FILE	DATE	FINAL APPROVAL	DATE
FILE	FILE	10/21/65	[Signature]	10/22/65
CHECKED				
ELECT. DES.				
MECH. DES.				
		DATE		
		10/22/65		
			SHEET	
				REV. LTR.