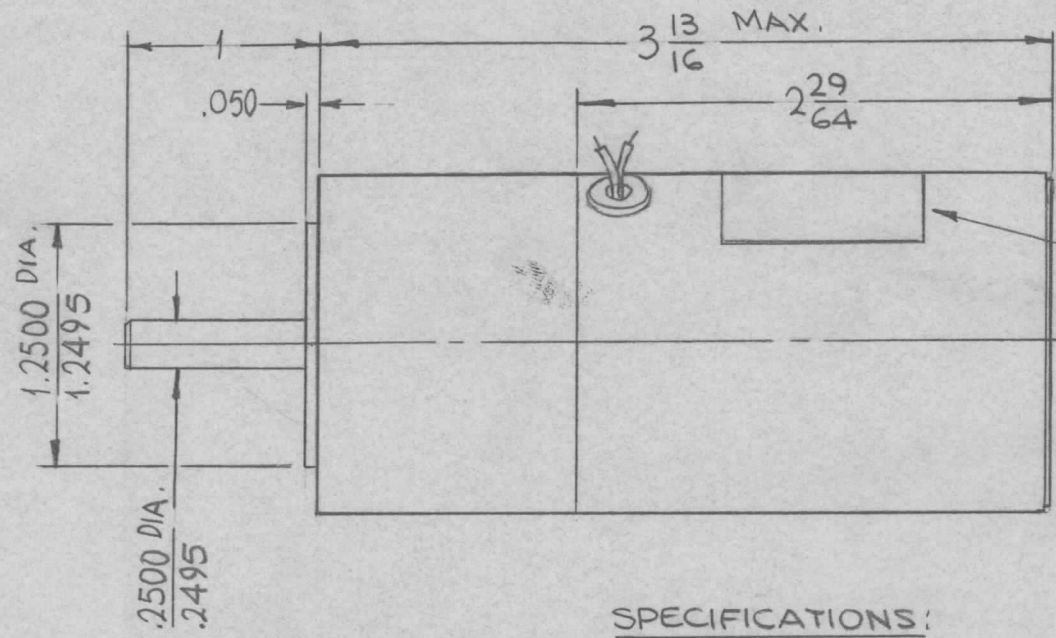
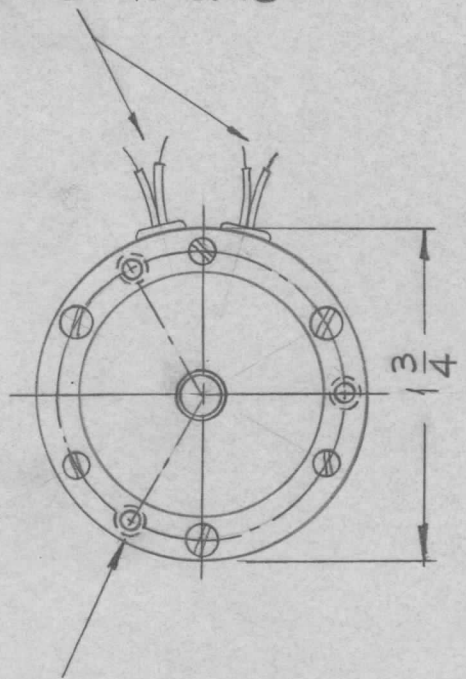


REQ. PER UNIT	USED ON			MO125	Ø
	MODEL	ASS'Y. NO.	DATE		
1	RFTA-1		10-5-65		

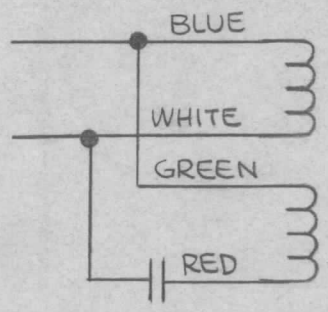
4 LEADS 10" LONG



DECAL
NAMEPLATE
TMC NO.
MO125

(3) 6-32 NC-2 TAP
3/16 DEEP, EQUALLY
SPACED ON A
1.535 ±.002 DIA.

NOTE.
COUNTER CLOCKWISE ROTATION
OUTPUT END OF SHAFT.



SPECIFICATIONS:
220V ±10%, 50/60 CY, 1 PH
8/10 RPM 0.06AMPS
300. OZ.IN.
MAX. CONT. LOAD
AMBIENT TEMP RANGE -0°C TO +71°C
SHAFT~STAINLESS STEEL
.33UF 330VAC CAPACITOR

REQ.	ITEM	PART NO.	F. BUDETTI	DESCRIPTION	SYMBOL	
				THE TECHNICAL MATERIEL CORP. MAMARONECK. NEW YORK		
				MOTOR		
Ø	ORIGINAL RELEASE	10/20/65	Ø			
SYM	DESCRIPTION	DATE	CH. NO.	DRAFTS	CHECKER	ENG. APP.
UNLESS OTHERWISE SPECIFIED DIMENSIONS ARE IN INCHES AND INCLUDE CHEMICALLY APPLIED OR PLATED FINISHES		SCALE	1:1			
DECIMALS .X ± .05 .XX ± .01 .XXX ± .005	TOLERANCES	FRACTIONS ± 1/64 ANGLES ± 0° 30'	CODE C	S401-116 (BC1613G)		
				BLACK ANODIZE		
				FINISH & SPEC. NO.	ELEC. DES. APP.	MECH. DES. APP.
					10/19/65	
					MO125	Ø