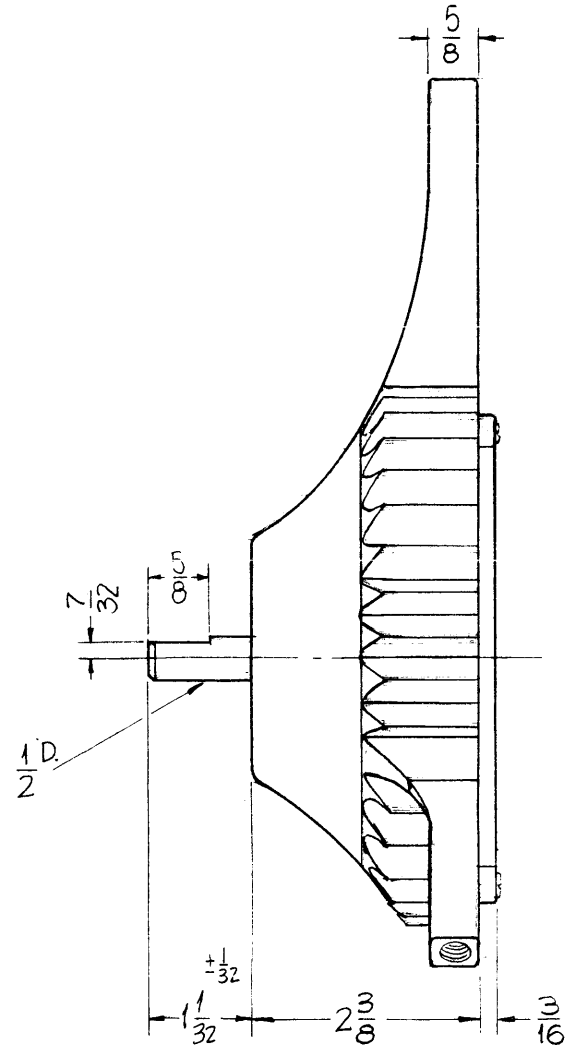
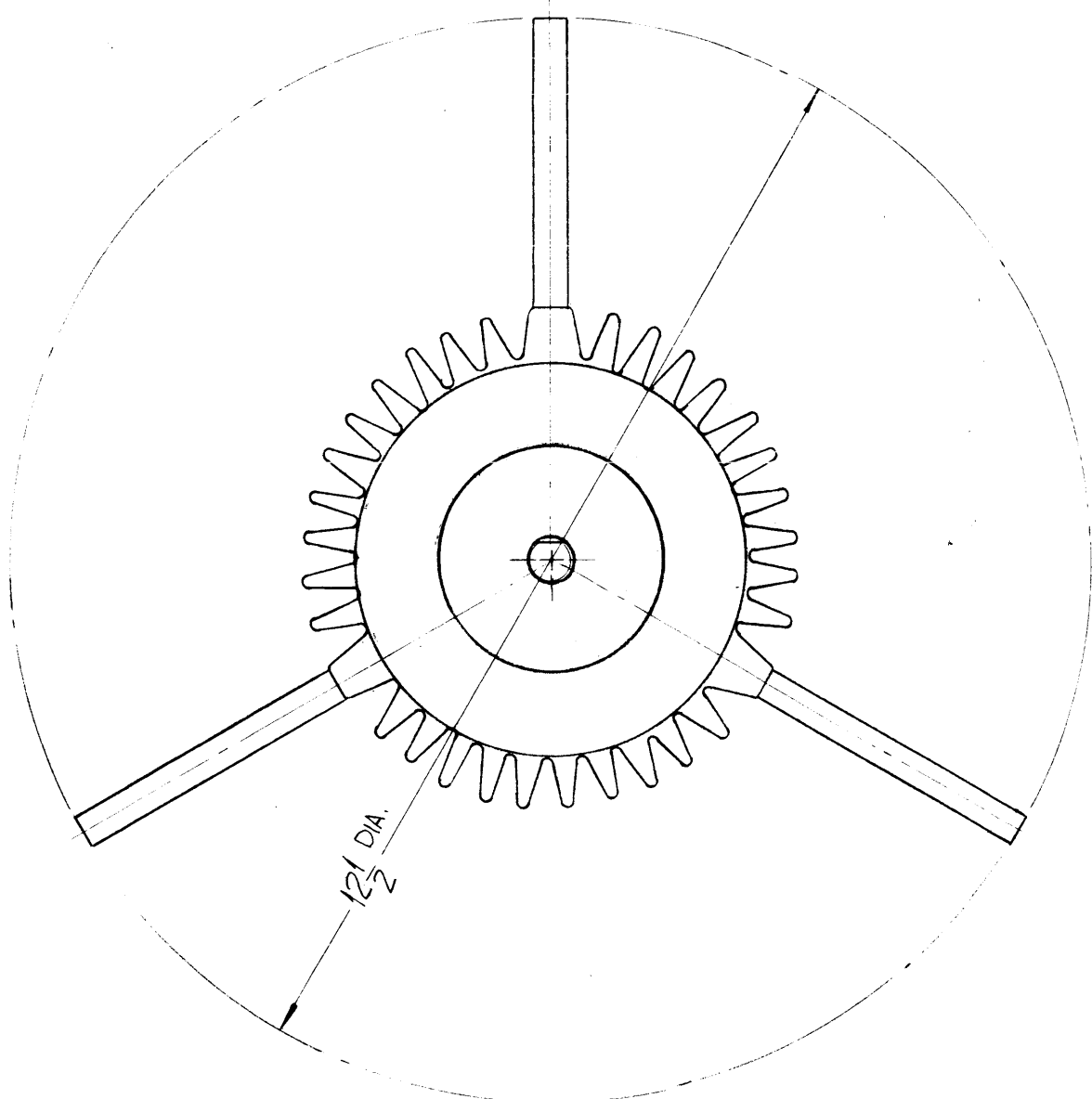


MO-120

REVISIONS

SYM	DESCRIPTION	DATE	E.M.N. NO.	DRAFT	CHKD	APPD
0	ORIGINAL RELEASE FOR PRODUCTION	5-27-64	0	A.M.		



ELECTRICAL SPECIFICATIONS:

REF: TMC DWG-BL-116
REF: IMC MAGNETICS CORP (PART NO. SK-485)

REQ'D.	ITEM	PART NUMBER	DESCRIPTION	SYMBOL
--------	------	-------------	-------------	--------

F. BUDETTI		LIST OF MATERIAL		
MATERIAL		THE TECHNICAL MATERIEL CORP. MAMARONECK, NEW YORK		
FINISH		TITLE MOTOR, TUBEAXIAL FAN		
UNLESS OTHERWISE SPECIFIED DIMENSIONS ARE IN INCHES AND INCLUDE CHEMICALLY APPLIED OR PLATED FINISHES		DRAWN <i>Gianfilippo</i>	DATE 7-19-63	FINAL APPROVAL <i>[Signature]</i>
		CHECKED <i>aa</i>	DATE	
DECIMALS .X ± .05 .XX ± .01 .XXX ± .005		ELECT. DES. <i>[Signature]</i>	DATE	MO-120
		MECH. DES. <i>[Signature]</i>	DATE 5/27/64	
TOLERANCES ± 1/64 ANGLES ± 0° 30'		SHEET		○
				REV. LTR.

GPT-200K		
Q'TY./UNIT	MODEL USED ON	ASS'Y. NO.
SCALE	CODE	

THE CONTENTS OF THIS DRAWING ARE THE EXCLUSIVE PROPERTY OF THE TECHNICAL MATERIEL CORP. ITS UNAUTHORIZED USE OR REPRODUCTION IN WHOLE OR IN PART IS STRICTLY FORBIDDEN.

NOTES