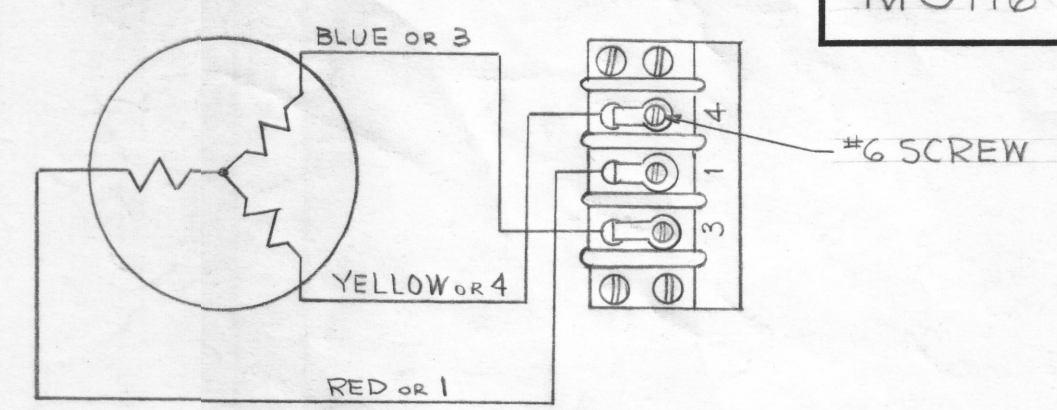


50 CPS	ELECTRICAL SPECIFICATION	60 CPS
CW	ROTATION (SHAFT END)	CW
220 AC	VOLTAGE	220 AC
2650	NORMAL RPM	3250
4.0	LINE AMP	6.1
3	PHASE	3

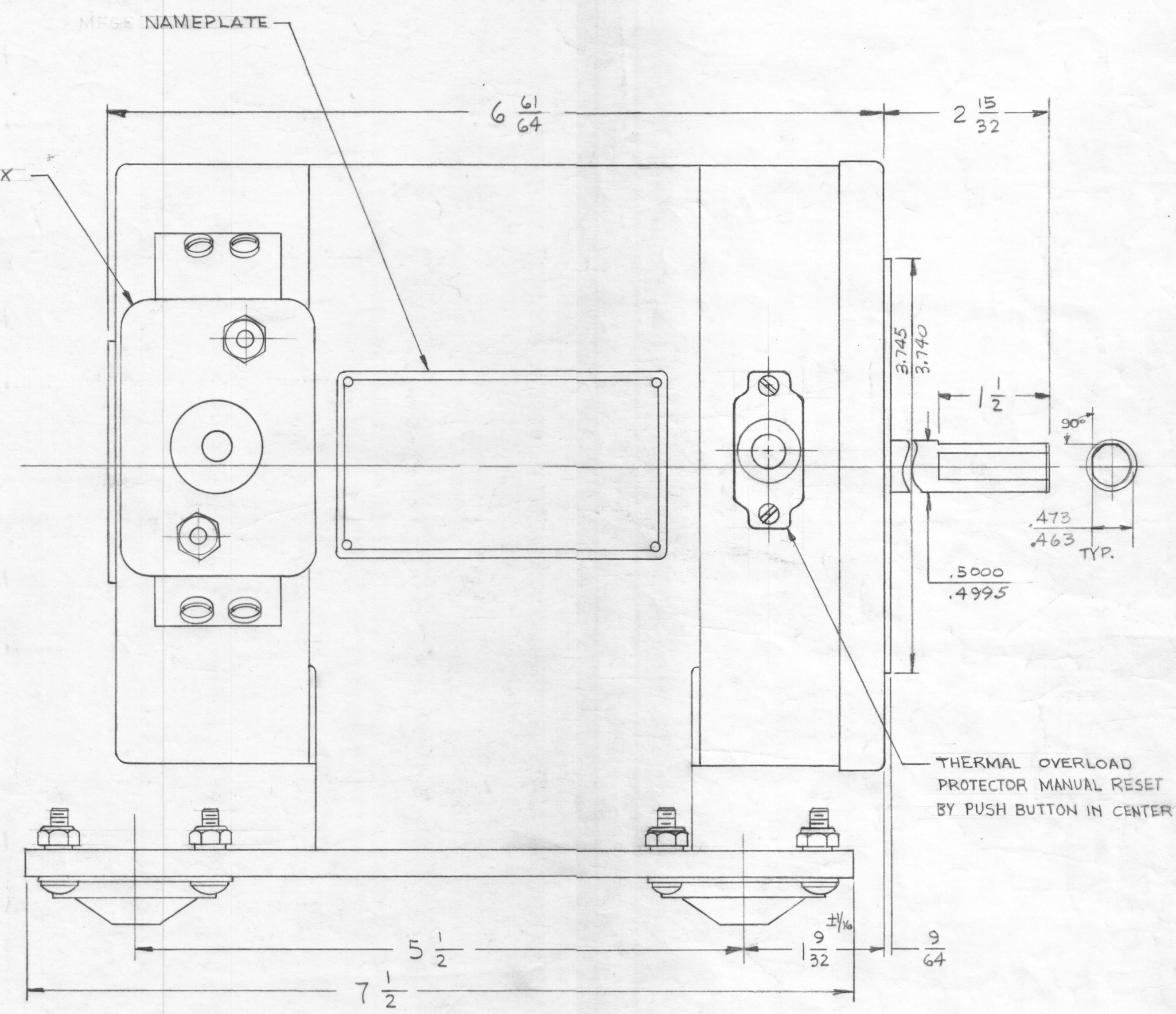
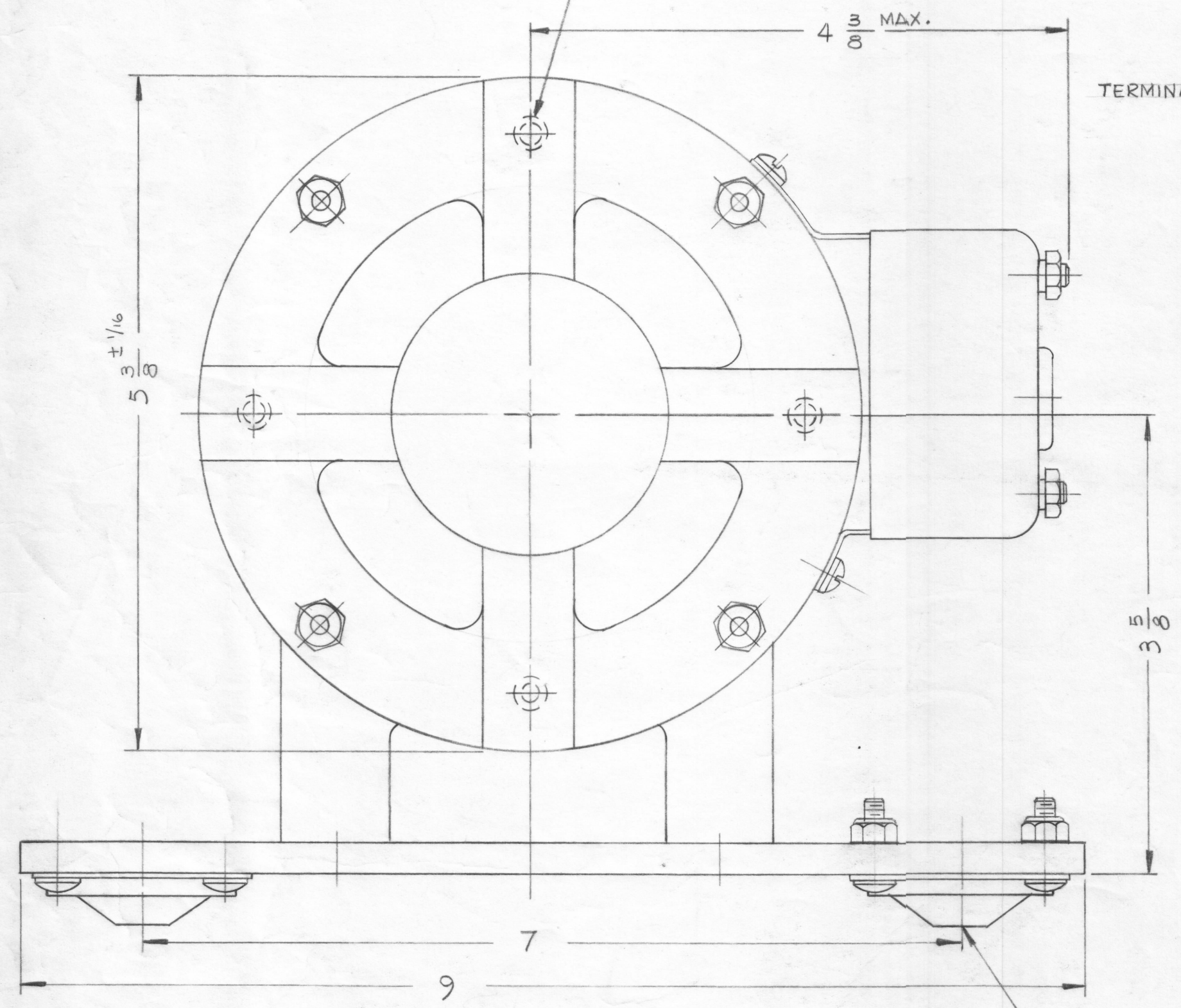
MO116 C



PHASE SEQUENCE RED, BLUE, YELLOW  
CONNECTION DIAGRAM  
CW ROTATION SHAFT END

FINISH: BLACK ANODIZE  
INSULATION: CLASS H.

1/4"-20 NC-2, TAP 3/8" DP.  
(4) HOLES AS SHOWN  
ON 4 1/2" DIA.  
ON FAR SIDE ONLY.



NOTE:  
THIS MOTOR IS FOR SPARE PARTS REPLACEMENT  
PURPOSES FOR TMC CENTRIFICAL FAN NO. BL 111.

TMC PART NO. SHALL BE IN THE FOLLOWING FORM:  
MO116-50  
BASIC TMC PART NO. 50 CPS AS REQ.  
(USE ONLY FOR 50 CPS)

ADDED PURCHASING CHART. REVISED ELEC. SPECS. ADDED P/N NOTE: DELE. HYPHENS ON PART NO.		1-19-67	17705	RME			
INS. CLASS H ADDED		2-2-66	15700				
RESET PUSH BUTTON & NOTE ADDED		3-24-65	13574	RP			
SYM	ZONE	DESCRIPTION	DATE	CH. NO.	DRAFTS	CHECKER	ENG. APP.
UNLESS OTHERWISE SPECIFIED:			SCALE				
DIMENSIONS ARE IN INCHES			MAXIMUM ALLOWABLE TOLERANCES HAVE BEEN DETERMINED AND ANY DEVIATIONS WILL BE CAUSE FOR REJECTION. REMOVE ALL BURRS & SHARP EDGES				
TOLERANCES ON FRACTIONS ± 1/64			DECIMALS ± .005		ANGLES ± 1/2°		

FOR PURCHASING ONLY  
S401-116 (50 CPS) BT 4530-0-2  
S401-116 (60 CPS) BT 4530-0-1

REQ. PER UNIT	MODEL	SECTION	ASS'Y. NO.	DATE
	GPT-40K			11-18-61
USED ON				

REQ.	ITEM	PART NO.	DESCRIPTION	SYMBOL
			THE TECHNICAL MATERIEL CORP. MAMARONECK, NEW YORK	
			MOTOR, CENTRIFICAL FAN FOR BL 111	
			DRAWN	FINAL APPROVAL
			MECH. DES. APP.	SHEET OF
			ELEC. DES. APP.	