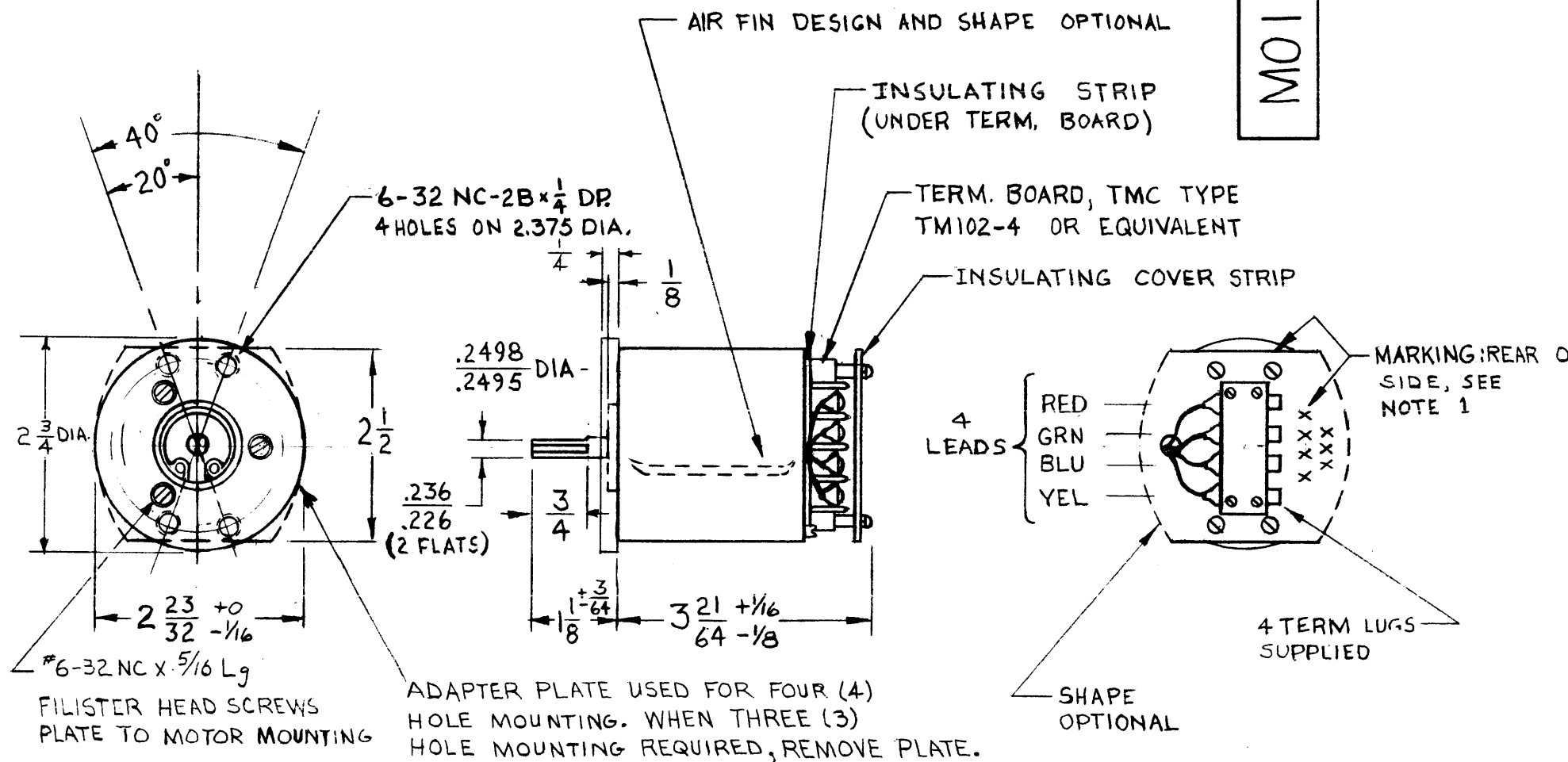


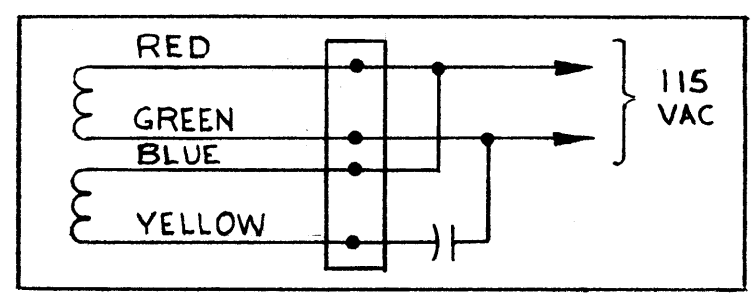
TMC PART NO.	TMC CONTROL NO.	MFRS. CODE	MFRS. PART NO.
MO115	MO115XX116	S401-116	BC2210-1-1

REVISIONS						
SYM	DESCRIPTION	DATE	E.M.N. NO.	DRAFT	CHKD	APPD
A	REDRAWN & REVISED	9-30-64	12473	28	KS	CS
B	ADDED ADAPTER PLATE & NOTE, ADDED REAR SIDE TO MARKING. DELETED PART OF NOTE 1.	7-26-64	16644	RME	CS	KS



SPECIFICATIONS

- VOLTAGE: 115
- PHASE: SINGLE
- FREQUENCY: 50/60 CPS
- NOMINAL RPM: 3400
- RUNNING CAPACITOR: 1 UF, 220VAC
- HP: 1/50
- FULL LOAD WATTS: 39
- AMBIENT TEMP: 70°C
- ROTATION: CCW VIEWED FROM TERM. BD. END
- MECHANICAL DATA
 - MATERIAL: CAST ALUMINUM HOUSING
 - FINISH: BLACK ANODIZE



WIRING DIAGRAM

- NOTES:
- MANUFACTURER SHALL MARK ITEM WITH APPROPRIATE TMC CONTROL NO., AS SHOWN IN CHART, AND SPECIFICATION NUMBERS 1,2,3,4,5. MARKING SHALL BE APPROX. 3/32 HIGH GOTHIC, LOCATED AS SHOWN.
 - FOR SPARE PARTS REPLACEMENT OF REPAIRABLE PARTS, SEE TMC LIST ERPL-BL102.

STANDARD	BL102XX116
Q'TY./UNIT	MODEL USED ON
SCALE	CODE
	C
THE CONTENTS OF THIS DRAWING ARE THE EXCLUSIVE PROPERTY OF THE TECHNICAL MATERIEL CORP. ITS UNAUTHORIZED USE OR REPRODUCTION IN WHOLE OR IN PART IS STRICTLY FORBIDDEN.	

REQ'D.	ITEM	PART NUMBER	DESCRIPTION	SYMBOL
J. CAMARDA LIST OF MATERIAL				
MATERIAL			THE TECHNICAL MATERIEL CORP. MAMARONECK, NEW YORK	
FINISH			TITLE	
			MOTOR, AC FOR BL102	
UNLESS OTHERWISE SPECIFIED DIMENSIONS ARE IN INCHES AND INCLUDE CHEMICALLY APPLIED OR PLATED FINISHES		DRAWN	DATE	FINAL APPROVAL
		J. Swara	9-30-64	KS
		CHECKED	DATE	
		@	11-16-64	
DECIMALS		ELECT. DES.	DATE	
.X ± .05		R	10/12/64	
.XX ± .01		MECH. DES.	DATE	
.XXX ± .005		L. G. Dahl	10/22/64	
TOLERANCES		SHEET		REV. LTR.
± 1/64		MO115		B
ANGLES				
± 0° 30'				