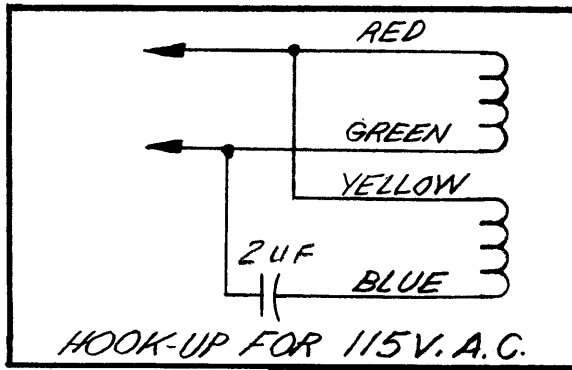
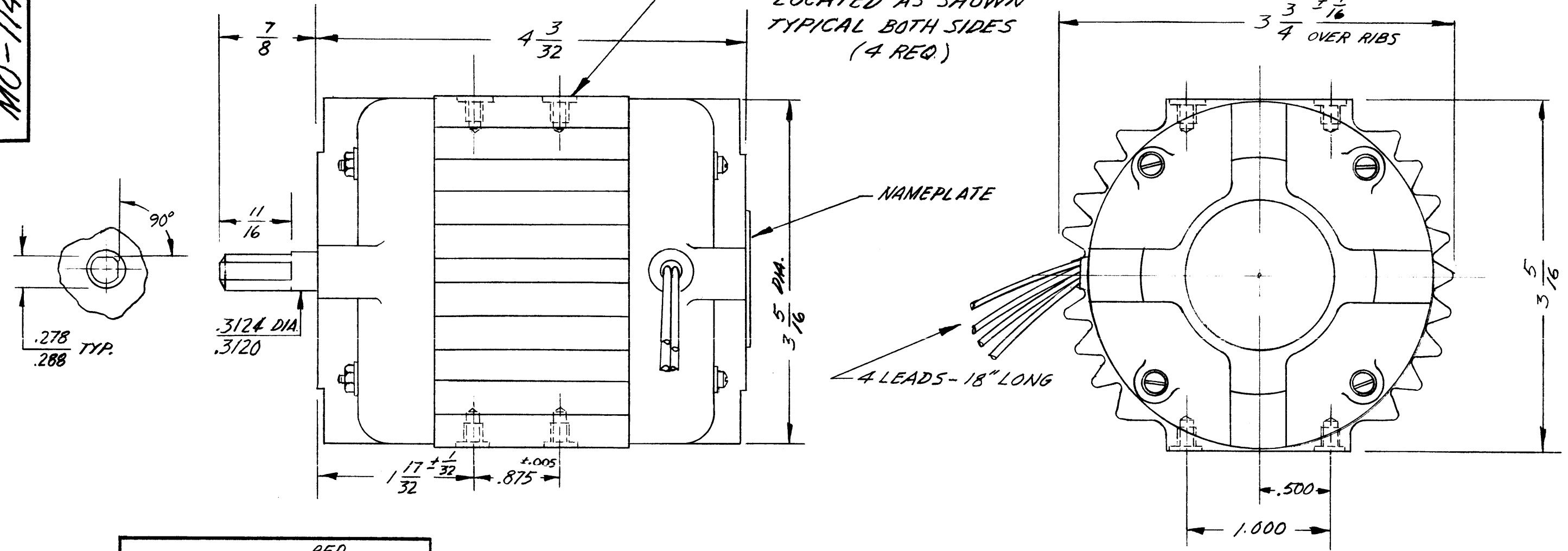


THE CONTENTS OF THIS DRAWING ARE THE EXCLUSIVE PROPERTY OF THE TECHNICAL MATERIEL CORP. ITS UNAUTHORIZED USE OR REPRODUCTION IN WHOLE OR IN PART IS STRICTLY FORBIDDEN.

MO-114

10-32 NF-2 TAP $\frac{1}{4}$ " DEEP
C'BORE $\frac{9}{16}$ " DIA. X $\frac{1}{16}$ " DEEP
LOCATED AS SHOWN
TYPICAL BOTH SIDES
(4 REQ.)



CONNECTION DIAGRAM C.W.
ROTATION LEAD END

ELECTRICAL DATA
VOLTAGE 115V.
CPS 50/60CY.
RPM 1650RPM
PHASE 1
AMPS 0.25A

NOTE: THIS MOTOR IS FOR SPARE PARTS REPLACEMENT PURPOSES OF TMC AXIAL FAN BL-101.

SYM	DESCRIPTION	DATE	CH. NO.	DRAFTS	CHECKER	ENG. APP.
	UNLESS OTHERWISE SPECIFIED:					
	DIMENSIONS ARE IN INCHES					
	TOLERANCES ON FRACTIONS $\pm 1/64$ DECIMALS $\pm .005$ ANGLES $\pm 1/2^\circ$					
		SCALE: S401-116/BC2915-5				
		MAXIMUM ALLOWABLE TOLERANCES HAVE BEEN DETERMINED AND ANY DEVIATIONS WILL BE CAUSE FOR REJECTION. REMOVE ALL BURRS AND SHARP EDGES				
		REQ. PER UNIT	MODEL	SECTION	ASS'Y. NO.	DATE

REQ.	ITEM	PART NO.	DESCRIPTION	YMBOL
			THE TECHNICAL MATERIEL CORP. MAMARONECK, NEW YORK	
			MOTOR, FAN FOR BL-101	
			W.R. J.H. E.P.M.	
			DRAWN CHECKED FINAL APPROVAL	
			MO-114	
			FINISH & SPEC. NO. ELEC. DES. APP. MECH. DES. APP.	