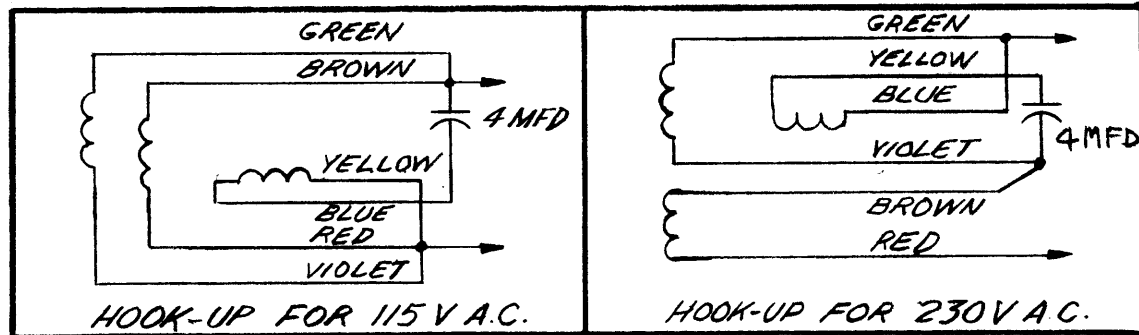
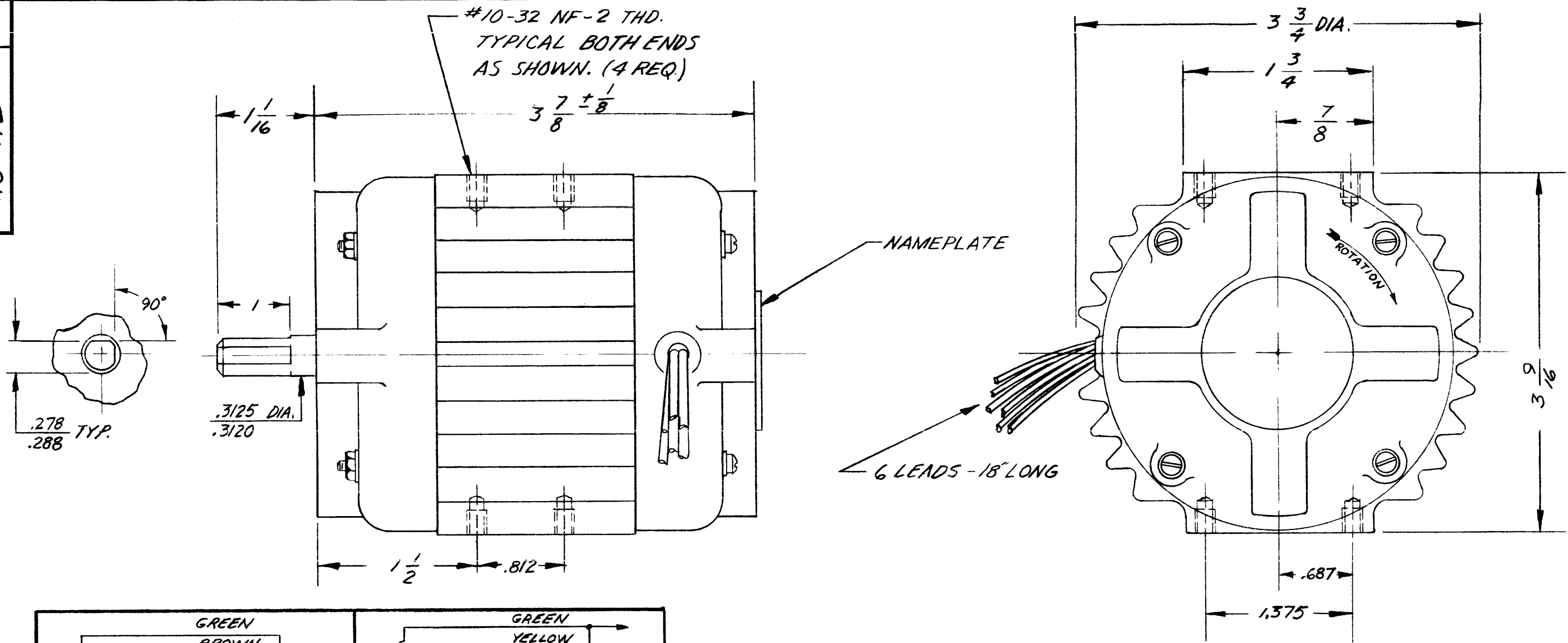


MO-112



CW ROTATION LEAD END

ELECTRICAL DATA
 VOLTAGE 115/230 V.
 CPS 50/60 CY.
 RPM 2900-3400 RPM
 AMPS 1.0/0.5 A.
 PHASE 1

NOTE: THIS MOTOR IS FOR SPARE PARTS REPLACEMENT PURPOSE FOR TMC AXIAL FAN NO. BL-108.

SYM	DESCRIPTION	DATE	CH. NO.	DRAFTS	CHECKER	ENG. APP.
	UNLESS OTHERWISE SPECIFIED: DIMENSIONS ARE IN INCHES TOLERANCES ON FRACTIONS ± 1/64 DECIMALS ± .005 ANGLES ± 1/2°					
	SCALE: 6401-116 (BC 2922-6)					
	MAXIMUM ALLOWABLE TOLERANCES HAVE BEEN DETERMINED AND ANY DEVIATIONS WILL BE CAUSE FOR REJECTION. REMOVE ALL BURRS AND SHARP EDGES					

REQ. PER UNIT	MODEL	SECTION	ASS'Y. NO.	DATE
1				11-18-61

REQ. ITEM	PART NO.	DESCRIPTION	SYMBOL
		THE TECHNICAL MATERIEL CORP. MAMARONECK, NEW YORK	
		MOTOR, CENTRIFICAL FAN, FOR BL-108	
		wh	SPM
		DRAWN	CHECKER
		FINAL APPROVAL	
		MO-112	