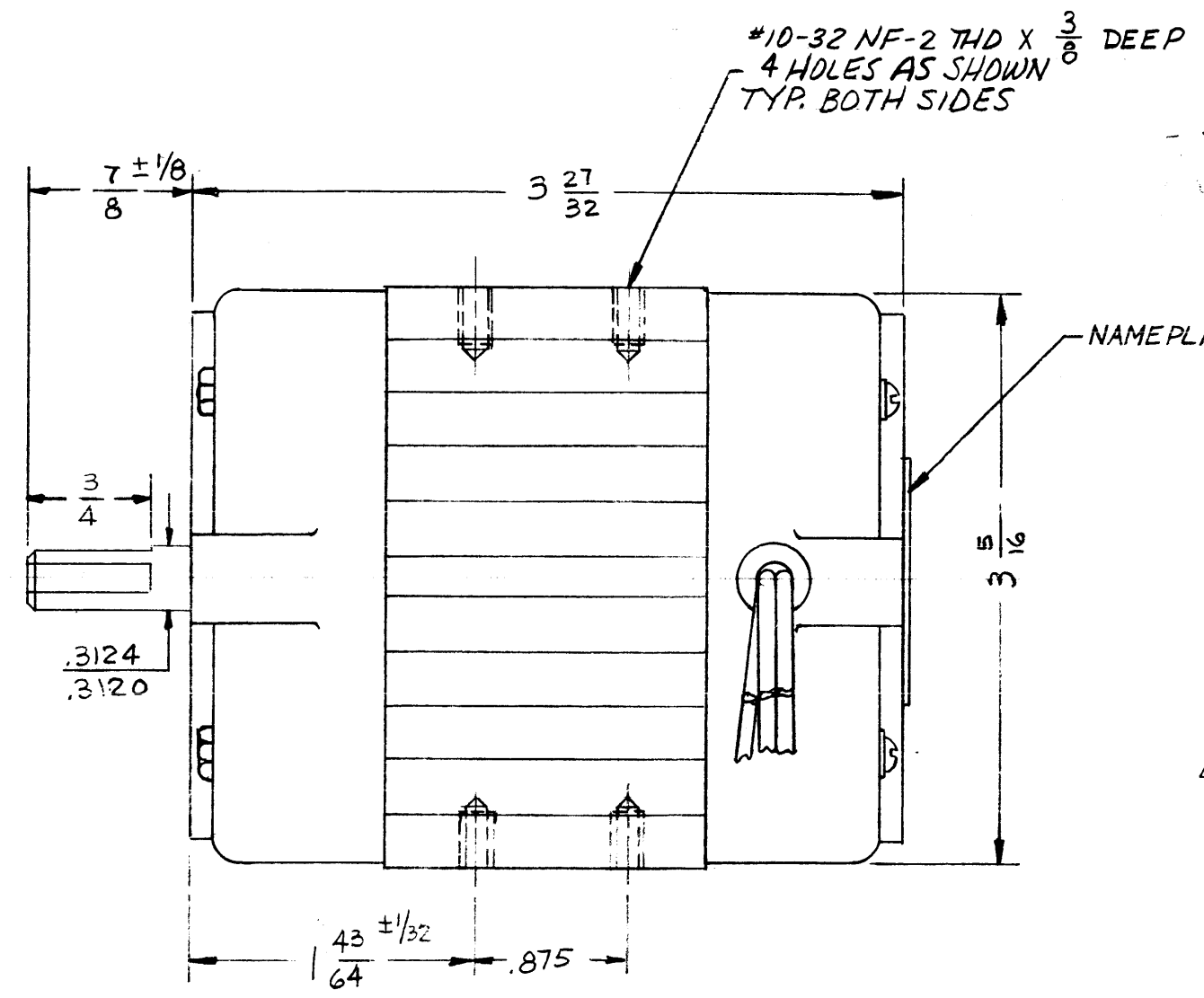
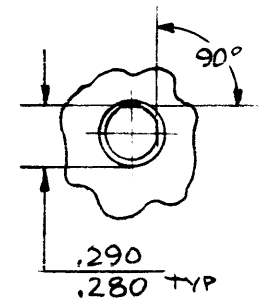
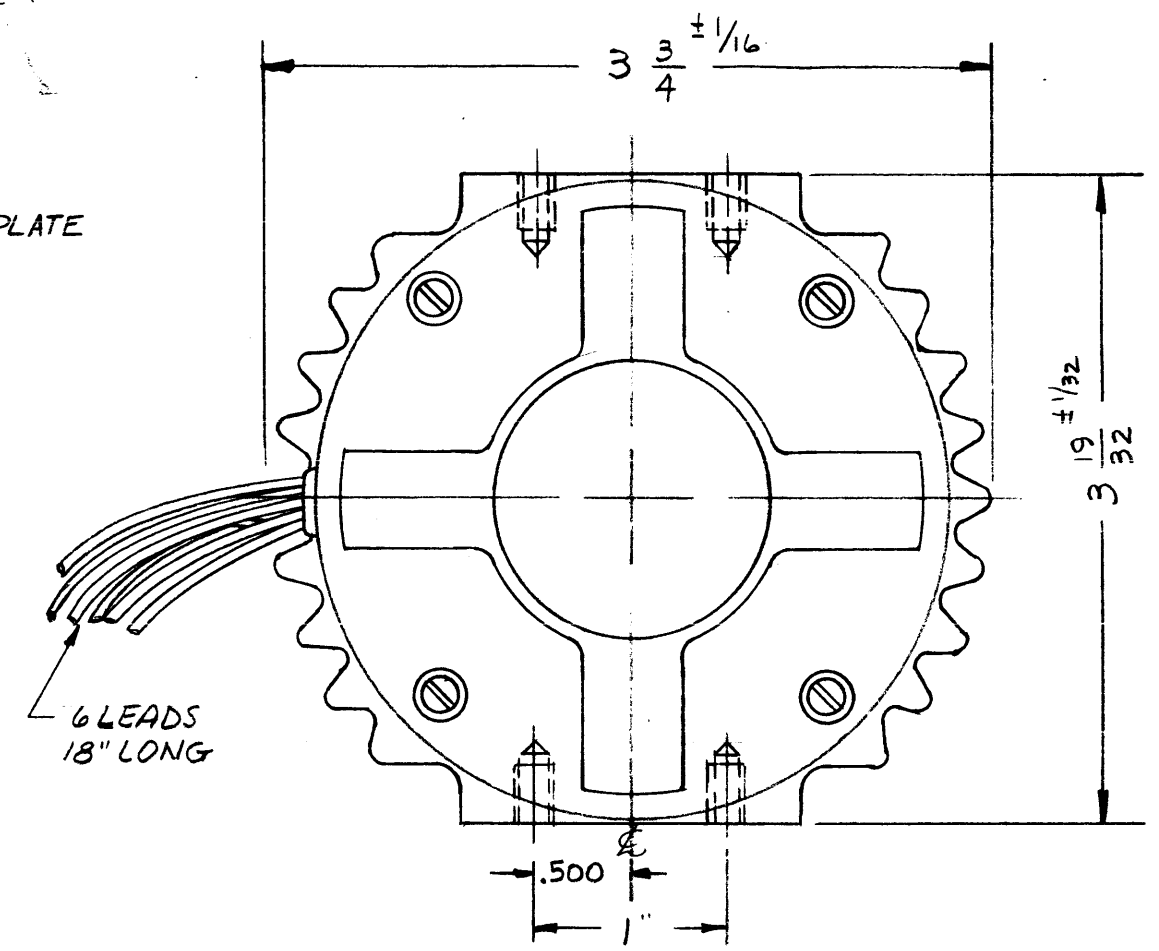


MO-111



NAMEPLATE



**NOTE:**  
THIS MOTOR IS FOR SPARE PARTS,  
USE AS REPLACEMENT MOTOR FOR TMC  
CENTRIFICAL FAN NO. BL-103

ELECTRICAL DATA  
ROTATION SHAFT END - CW  
VOLTAGE - 115/230 V  
CPS - 50/60  
RPM - 2850/3200  
AMPS - 1.1/0.55  
PHASE - 1

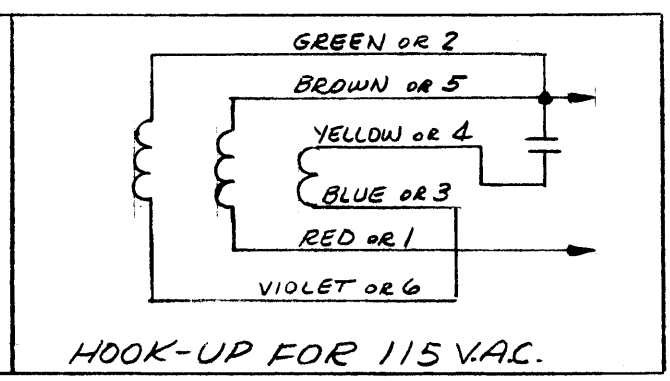
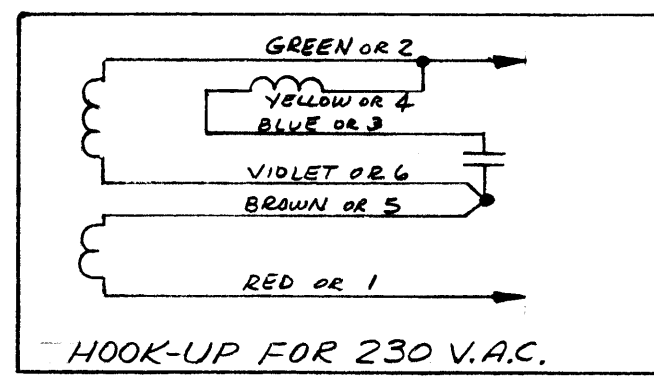
FINISH  
BLACK ANODIZE

NOTICE TO PERSONS RECEIVING THIS DRAWING

THE TECHNICAL MATERIEL CORPORATION claims proprietary right in the material disclosed hereon. This drawing is issued in confidence for engineering information only and may not be reproduced or used to manufacture anything shown hereon without permission from THE TECHNICAL MATERIEL CORPORATION to the user. This drawing is loaned for mutual assistance and is subject to recall at any time.

Property of:

THE TECHNICAL MATERIEL CORPORATION  
MAMARONECK, NEW YORK



A	.3124 WAS .3150 .3120 WAS .3148	φ ± 1/8 ADDED TO 7/8	11-9-61	18604	HEJ	EFM
SYM	DESCRIPTION	DATE	CH. NO.	DRAFTS	CHECKER	ENG. APP.
UNLESS OTHERWISE SPECIFIED:						
DIMENSIONS ARE IN INCHES						
TOLERANCES ON FRACTIONS ± 1/64 DECIMALS ± .005 ANGLES ± 1/2°						
SCALE: S&C-116 (BC 2918-3)						
MAXIMUM ALLOWABLE TOLERANCES HAVE BEEN DETERMINED AND ANY DEVIATIONS WILL BE CAUSE FOR REJECTION.						
REMOVE ALL BURRS AND SHARP EDGES						
REQ. PER UNIT	MODEL	SECTION	ASS'Y. NO.	DATE	USED ON	
	RFD-1A			11-18-61		

REQ. ITEM	PART NO.	DESCRIPTION	SYMBOL
THE TECHNICAL MATERIEL CORP. MAMARONECK, NEW YORK			
STOCK SIZE			
MOTOR, CENTRIFICAL, FAN			
MATERIAL			
FOR BL-103			
TYPE & TEMPER		HEAT TREAT. SPEC.	FINISH & SPEC. NO.
DRAWN		CHECKER	ELEC. DES. APP. MECH. DES. APP.
AB		MGT	OR
		LS	MO-111
			A