

— SCHEMATIC DIAGRAM —

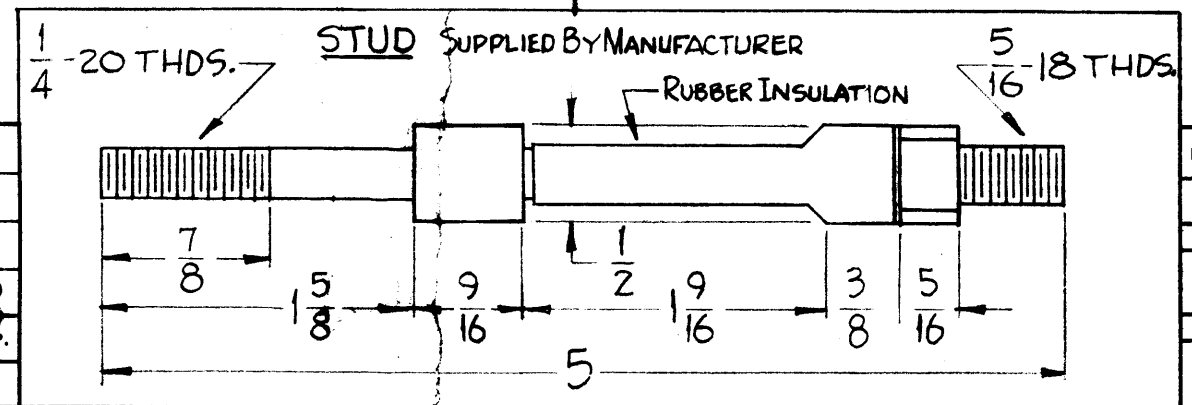
ELECTRICAL SPECS.  
VOLTS ~ 240 AC  
AMPS ~ 5

MECHANICAL SPECS.  
FRAME: JK

NOTICE TO PERSONS RECEIVING THIS DRAWING

THE TECHNICAL MATERIEL CORPORATION claims proprietary right in the material disclosed herein. This drawing is issued in confidence for engineering information only and may not be re-released or used to manufacture anything shown herein without permission from THE TECHNICAL MATERIEL CORPORATION to the user. This drawing is loaned for mutual assistance and is subject to recall at any time.

Property of:  
THE TECHNICAL MATERIEL CORPORATION  
MAMARONECK, NEW YORK



REF: FOR USE W/SW-271

ITEM	CHANGED FROM	DATE	CH. NO.	DRAFTS	CHECKER	ENG. APP.
1	ON MECH. SPECS: FRAME WAS J	9.21.64	11286	MB	@	
1	STUD ADDED TO DRAWING.	11/29/60	3596	DM	QCB	2-3

REQ. PER UNIT	GPT-40 K	PROJECT NO.	ASSY. NO.	DATE
				1-9-60

REQ.	ITEM	PART NO.	DESCRIPTION	SYMBOL
			THE TECHNICAL MATERIEL CORP. MAMARONECK, NEW YORK	
			CONTROL, CIRCUIT BREAKER, MOTORIZED	
			TYPE & TEMPER	HEAT TREAT. SPEC.
			DRAWN	CHECKED
			FINAL APPROVAL	
			MO-110 B	
			ELEC. DES. APP MECH. DES. APP	

TOLERANCES

SCALE: S401-88 (ET-9216)

MAXIMUM ALLOWABLE TOLERANCES HAVE BEEN DETERMINED AND ANY DEVIATIONS WILL BE CAUSE FOR REJECTION: REMOVE ALL BURRS AND SHARP EDGES