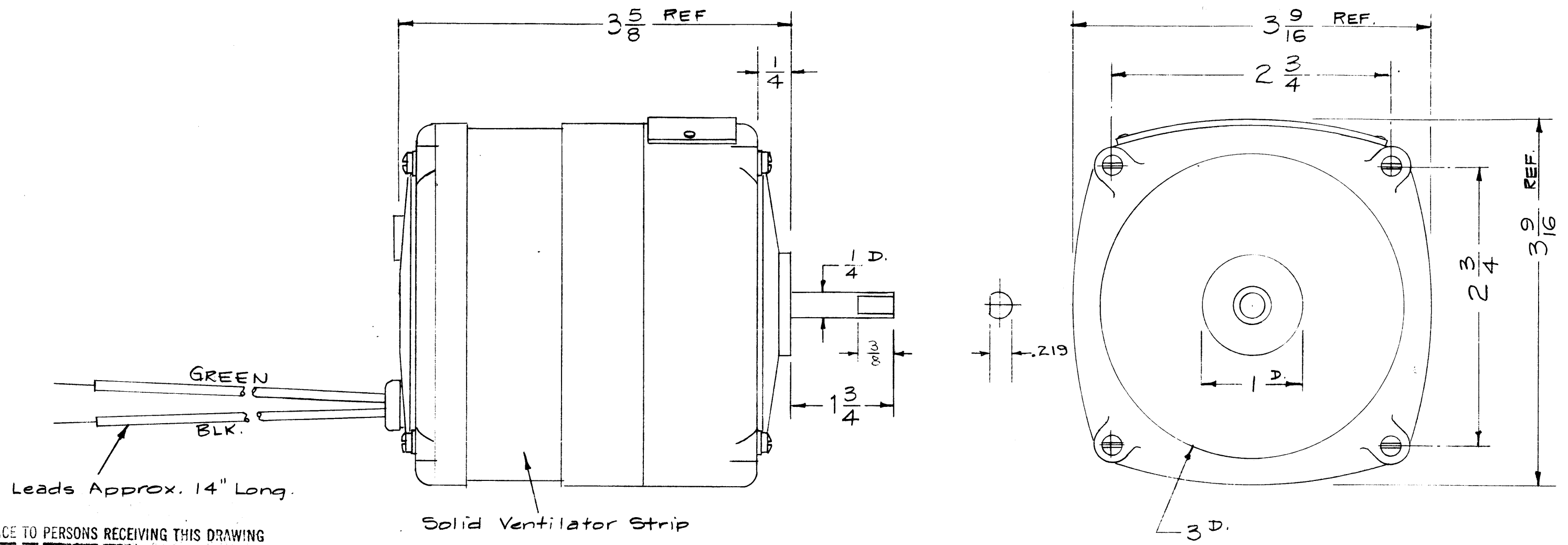


MC-109 F



NOTICE TO PERSONS RECEIVING THIS DRAWING

THE TECHNICAL MATERIEL CORPORATION claims proprietary right in the material disclosed herein. This drawing is issued in confidence for engineering information only and may not be reproduced or used to manufacture anything shown hereon without permission from THE TECHNICAL MATERIEL CORPORATION to the user. This drawing is loaned for mutual assistance and is subject to recall at any time.

Property of:
THE TECHNICAL MATERIEL CORPORATION
MAMARONECK, NEW YORK

ELECTRICAL DATA

Shaded Pole - 2 Pole
 Direction — Clockwise (Facing Shaft End)
 Gear Ratio — 646 : 1
 Full Load RPM — 3.6
 No Load RPM — 5.3
 Stall Torque — 33 Lb. In.
 Full Load Torque — 27 Lb. In.
 Voltage — 115 VAC 50/60 CPS
 Wattage — 20 W.

MECHANICAL DATA

Corrosion & Fungus Resistant.
 Case - White Metal Die Cast
 Shaft Stainless Steel - 410 See TMC PM-582
 BALL BEARING BASE

ISSUE	ITEM	CHANGED FROM	DATE	CH. NO.	DRAFTS	CHECKER	ENG. APP.
F		NOTE DEL. (SOLID REAR PLATE)	3-30-66	16033	WHW	[Signature]	[Signature]
TOLERANCES		SCALE: S-401-64 (PZDB 10237)					
DEC. DIM. ±		MAXIMUM ALLOWABLE TOLERANCES HAVE BEEN DETERMINED AND ANY DEVIATIONS WILL BE CAUSE FOR REJECTION. REMOVE ALL BURRS AND SHARP EDGES					
FRAC. DIM. ± 1/64							
ANGULAR DIM. ±							

1	ATS-50(70)TU-2	6-8-59		
1	ATS-70TU	1-10-58		
1	ATS-50TU	1-10-58		
REQ. PER UNIT	MODEL	PROJECT NO.	ASSY. NO.	DATE

REQ. ITEM	PART NO.	DESCRIPTION	SYMBOL
	///	THE TECHNICAL MATERIEL CORP. MAMARONECK, NEW YORK	
	///	MOTOR, UNIDIRECTIONAL	
	///		
	///		
	///		
	///		
	///		

TYPE & TEMPER	HEAT TREAT. SPEC.	DRAWN	CHECKED	FINAL APPROVAL
		[Signature]	[Signature]	[Signature]
FINISH & SPEC. NO.		ELEC. DES. APP.	MECH. DES. APP.	MO-109 F