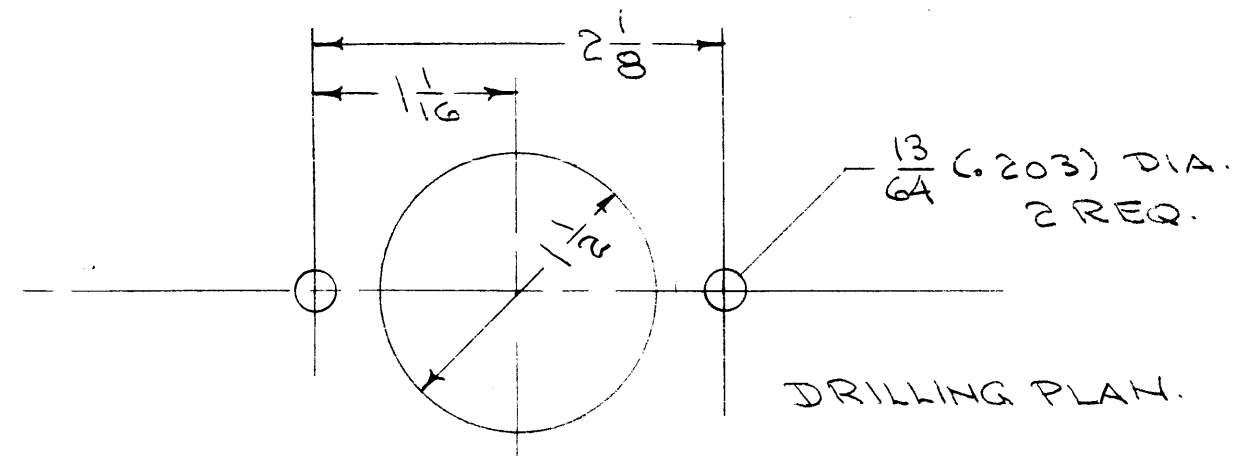
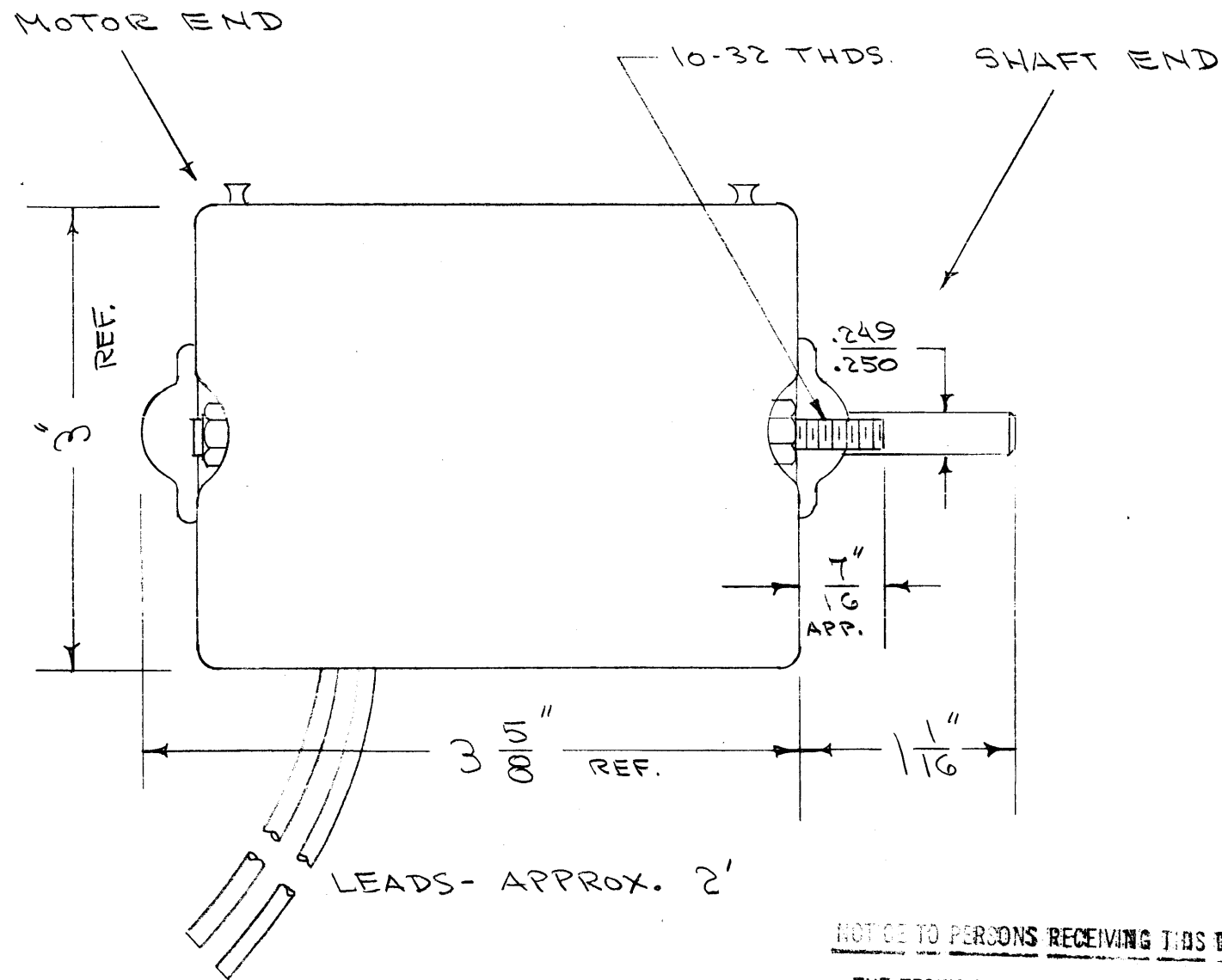


MO-106 D



ELECTRICAL SPECIFICATIONS:
 SHADED POLE - 2 POLE
 WATTS - 40
 R.P.M. - 3100
 H.P. - 1/100
 VOLTS - 115 A.C.

MAINTENANCE:
 LIGHT SAE 10-20, 2 OR 3 DROPS
 EVERY 3 MONTHS
 OILITE BEARINGS

DIRECTION OF TURN.	
CCW	COUNTER CLOCKWISE
CW	CLOCKWISE

NOTE:
 DIRECTION OF TURN
 DETERMINED FROM
 MOTOR END.

MO-106 - CCW
 TMC NO. DIRECTION

NOTICE TO PERSONS RECEIVING THIS DRAWING

THE TECHNICAL MATERIEL CORPORATION claims proprietary right in the material disclosed herein. This drawing is issued in confidence for engineering information only and may not be reproduced or used to manufacture anything shown herein without permission from THE TECHNICAL MATERIEL CORPORATION to the user. This drawing is loaned for mutual assistance and is subject to recall at any time.

Property of:
 THE TECHNICAL MATERIEL CORPORATION
 MAMARONECK, NEW YORK

REF. RIPLEY CO. INC #8431

ISSUE	ITEM	CHANGED FROM	DATE	CH. NO.	DRAFTS	CHECKER	ENG. APP.
D	2	RTF, CAB/FR REF. DELETED	7/5/54	4	FAIR	CRF	WE
	1	CAT. NO. CORRECTED					
C	1	DIR. OF TURN NOTE ADDED	7/18/16	3	CRF	FAIR	A.J.J.
B	1	DRILLING PLAN ADDED	3/16/30	2	CRF	CRF	A.J.J.

TOLERANCES		SCALE:
DEC. DIM. ±		MAXIMUM ALLOWABLE TOLERANCES HAVE BEEN DETERMINED AND ANY DEVIATIONS WILL BE CAUSE FOR REJECTION.
FRAC. DIM. ±		REMOVE ALL BURRS AND SHARP EDGES
ANGULAR DIM. ±		

REQ. PER UNIT	MODEL	PROJECT NO.	ASS'Y. NO.	DATE

REQ. ITEM	PART NO.	DESCRIPTION	SYMBOL
		THE TECHNICAL MATERIEL CORP. MAMARONECK, NEW YORK	
		STOCK SIZE	
		MOTOR, LR3 BLOWER	
		MATERIAL	
		CRF 3/16/30	
		TYPE & TEMPER	
		HEAT TREAT. SPEC.	
		DRAWN	
		CHECKED	
		FINISH & SPEC. NO.	
		ELEC. DES. APP.	
		MECH. DES. APP.	

A.J.J.
 FINAL APPROVAL
 MO-106 D