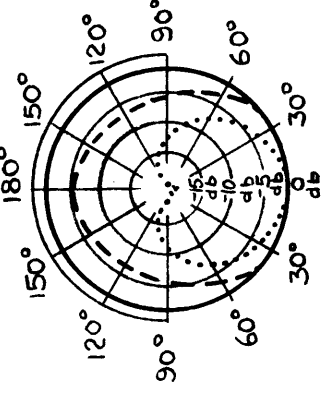
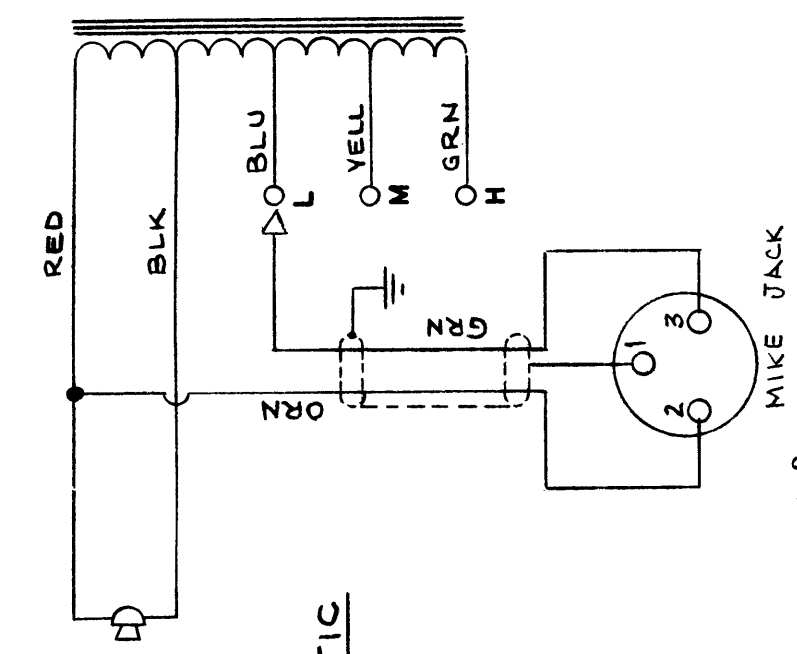
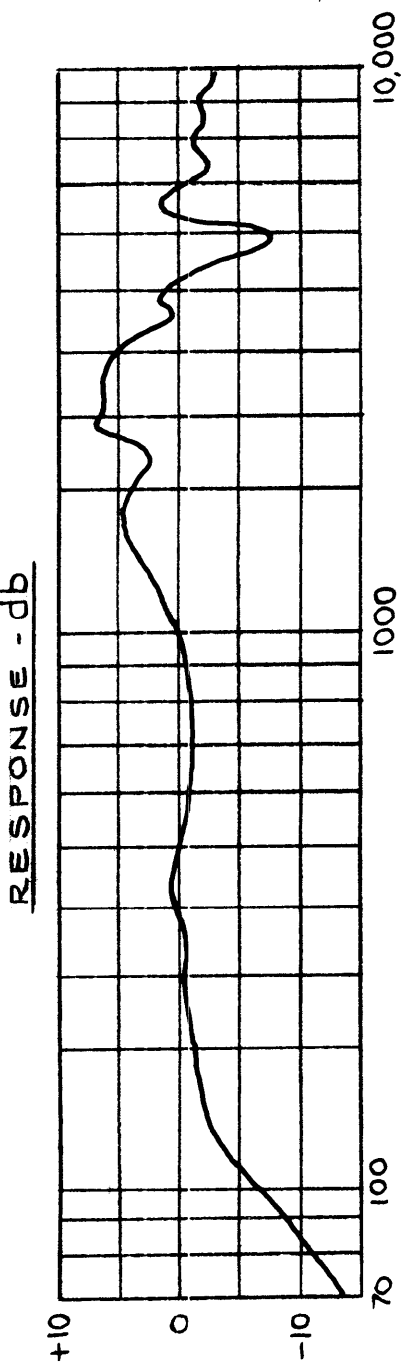


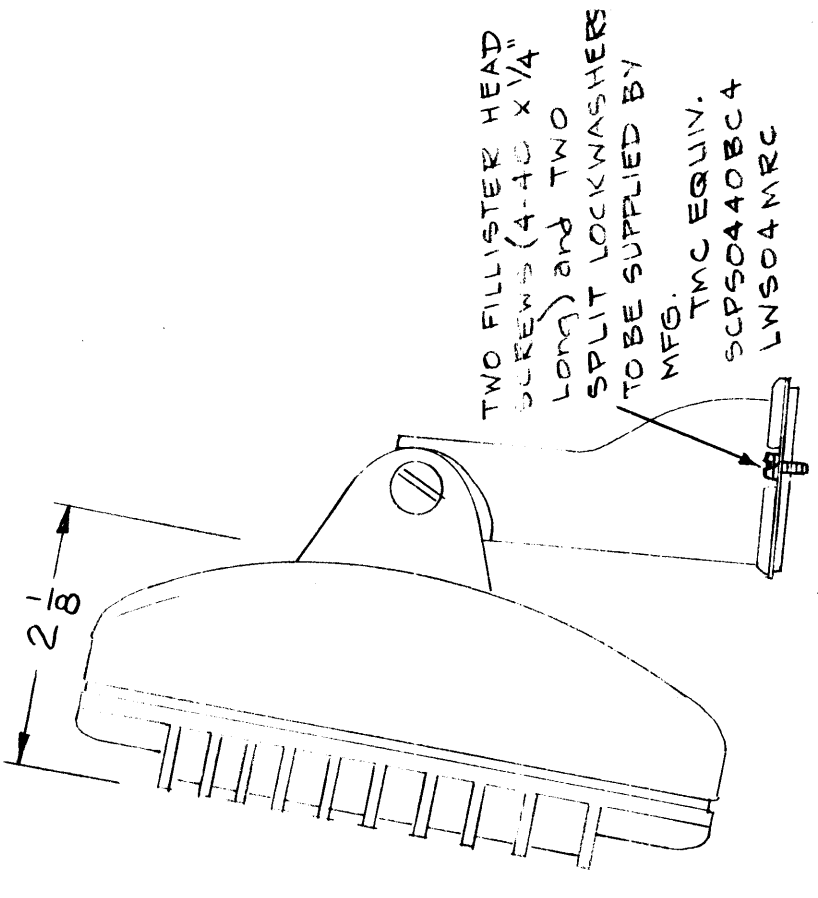
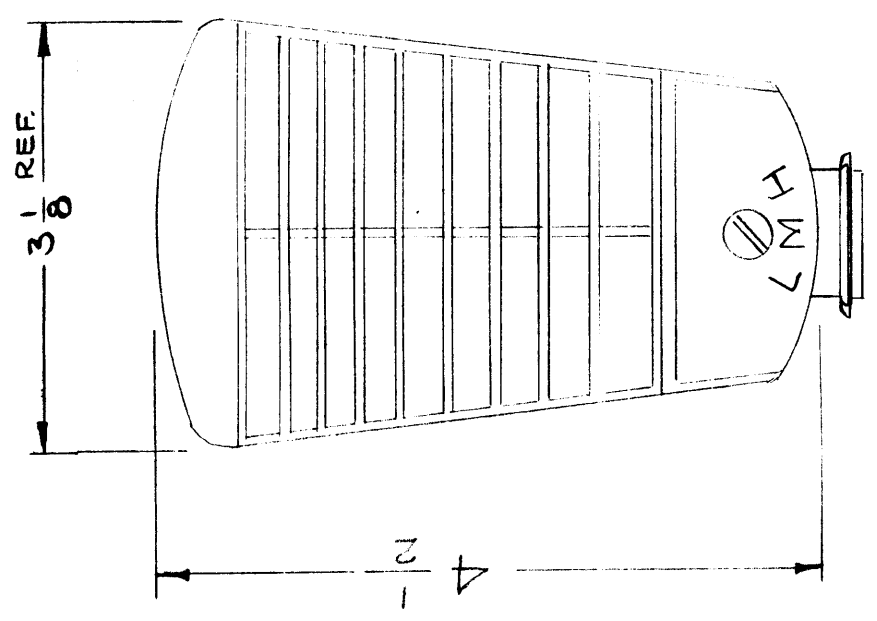
REVISIONS

SYM	DESCRIPTION	DATE	E.M.N. NO.	DRAFT	CHKD	APPD
A	REVISED & REDRAWN, WAS SIZE I	10.14.64	12601	ASB		
B	ADDED MIKE JACK	12.13.64	17469	RME		

MK104



TYPICAL DIRECTIONAL PATTERN



TWO FULLISTER HEAD SCREWS (4-40 X 1/4" LONG) and TWO SPLIT LOCKWASHERS TO BE SUPPLIED BY MFG.
TMC EQUIV. SCP504A0BC4 LNS04MRC

SWITCH POSIT.	OUTPUT IMPEDANCE	OUTPUT LEVEL (1KC)
L	30-50 Ω	53.0 db below 1 MILLIWATT PER 10 MICROBARS 87.0 db BELOW 1 VOLT PER DYNE PER SQ CM
M	150-250 Ω	52.5 db below 1 MILLIWATT PER 10 MICROBARS 78.5 db BELOW 1 VOLT PER DYNE PER SQ CM
H	100 KΩ MIN.	53.7 db below 1 VOLT PER DYNE PER SQ CM

TMC NO.	DESCRIPTION
MK 104-1	SUPPLIED WITH CABLE
MK 104-2	SUPPLIED WITHOUT CABLE

MATERIAL

FINISH

THE TECHNICAL MATERIEL CORP.
MAMARONECK, NEW YORK

TITLE
MICROPHONE, DYNAMIC
(MULTI-IMPEDANCE)

QTY./UNIT	SCALE	MK 103	MK103	ABS'Y. NO.
1	#		S401-322 (51)	
THE CONTENTS OF THIS DRAWING ARE THE EXCLUSIVE PROPERTY OF THE TECHNICAL MATERIEL CORP. ITS UNAUTHORIZED USE OR REPRODUCTION IN WHOLE OR IN PART IS STRICTLY FORBIDDEN.				
UNLESS OTHERWISE SPECIFIED DIMENSIONS ARE IN INCHES AND INCLUDE CHEMICALLY APPLIED OR PLATED FINISHES				
DECIMALS .X ± .05 .XX ± .01 .XXX ± .005				
FRACTIONS ANGLES ± 0° 30'				
TOLERANCES				
DATE 10.14.64				
DATE 10-23-64				
DATE 10-26-64				
DRAWN ASB				
CHECKED [Signature]				
ELECT. DES. [Signature]				
MECA. DES. [Signature]				
SHEET MK104				
REV. LTR. B				

NOTES