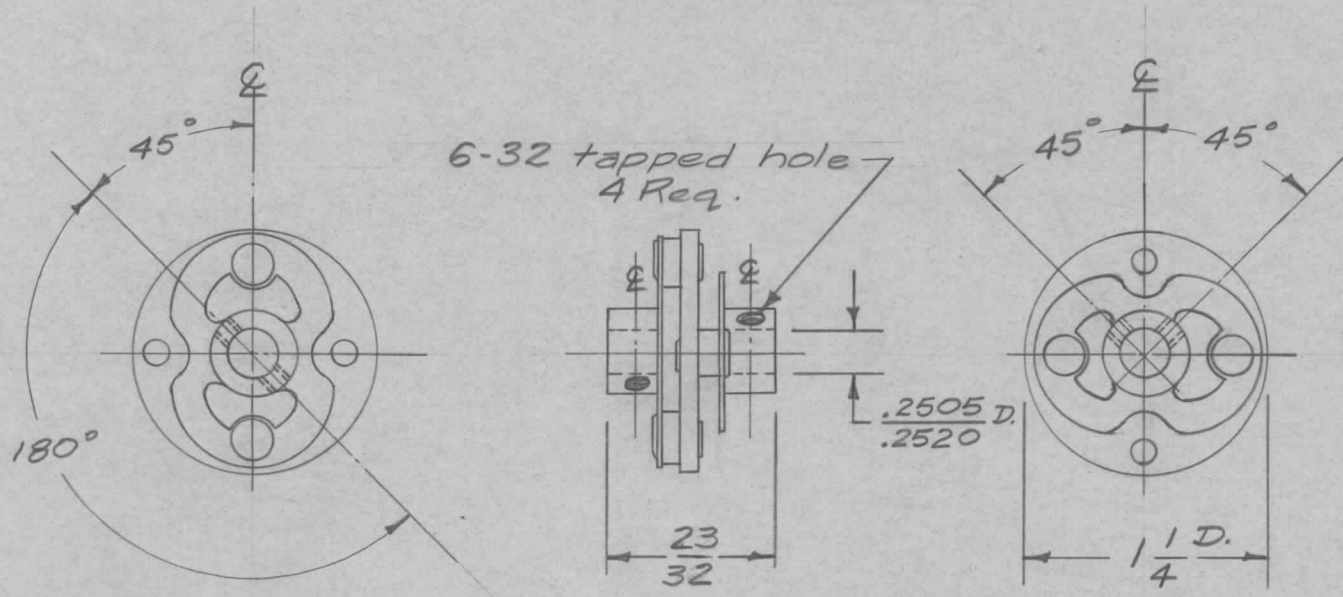


REQ. PER UNIT	USED ON		
	MODEL	ASS'Y. NO.	DATE
1	SBE-1		9-30-57
1	SBE-2		5-5-58

MC-124 B



Note-1. Four headless Set Screws, 6-32 x 3/16 Long, Hex Socket Head, to be supplied by manufacturer. (TMC Equiv. - AN565D6H3)
 2. HUBS ARE TO WITHSTAND A MINIMUM TORQUE OF 100 IN. OZ. WITHOUT TURNING.

NON-INSULATED TYPE
 Ref. - HAMMARLUND MFG. CO. 9400-41-50009

REQ.	ITEM	PART NO.	DESCRIPTION				SYMBOL
			THE TECHNICAL MATERIEL CORP. MAMARONECK, NEW YORK				
			COUPLING, FLEXIBLE				
B		ADDED NOTE 2.	8-8-66	16727	RME	OCB	MM
A	#	23/32 WAS 13/16 MFG PT# ADDED	11/16/65	15182	F.V.V.	OCB	OC
ISSUE	ITEM	CHANGED FROM	DATE	CH. NO.	DRAFTS	CHECKER	ENG. APP.
TOLERANCES			SCALE:				
DEC. DIM. ±			MAXIMUM ALLOWABLE TOLERANCES HAVE BEEN DETERMINED AND ANY DEVIATIONS WILL BE CAUSE FOR REJECTION.				
FRAC. DIM. ±			REMOVE ALL BURRS AND SHARP EDGES				
ANGULAR DIM. ±							
TYPE & TEMPER		HEAT TREAT. SPEC.	DRAWN		CHECKED	FINAL APPROVAL	
FINISH & SPEC. NO.		ELEC. DES. APP.	MECH. DES. APP.		MC-124 B		