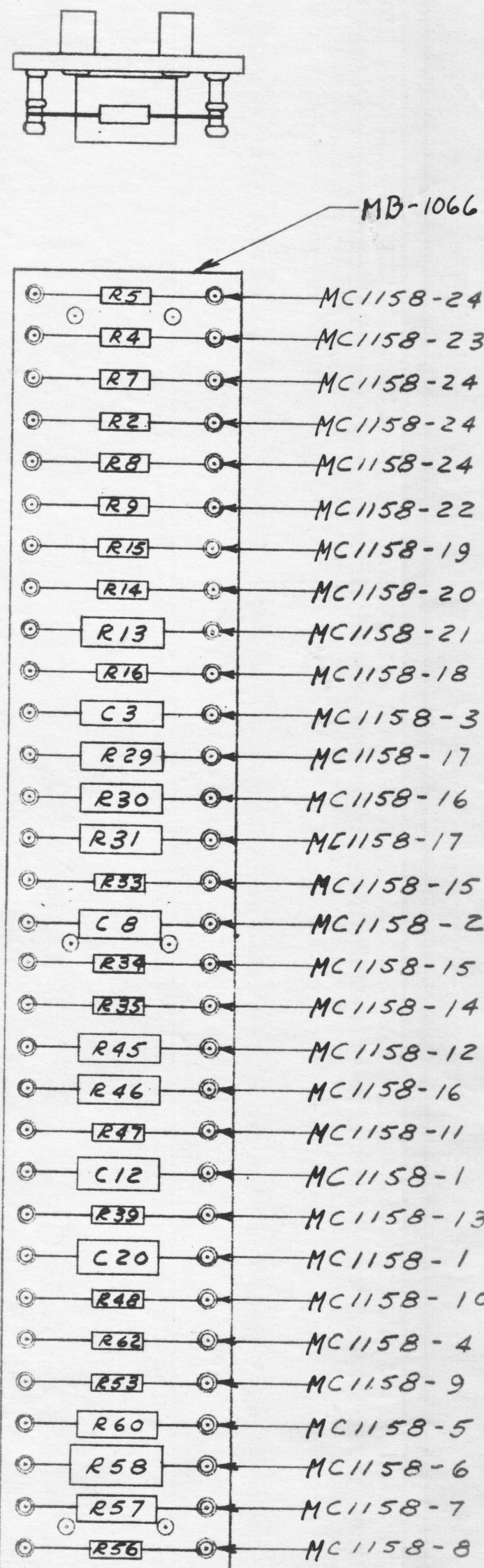


NOTICE: When Government drawings, specifications, or other data are used for any purpose other than in connection with a definitely related Government procurement operation, the United States Government thereby incurs no responsibility, nor any obligations whatsoever; and the fact that the Government may have formulated, furnished, or in any way supplied the said drawings, specifications, or other data is not to be regarded by implication or otherwise as in any manner licensing the holder or any other person or corporation, or conveying any rights or permission to manufacture, use, or sell any patented invention that may in any way be related thereto.

NEXT ASSEMBLY	1 ST USED ON

REVISIONS			
SYM	DESCRIPTION	DATE	APPROVAL



NOTES:
 1- SUPPLIED BY ALLEN BRADLEY CO. MILWAUKEE WISC OR EQUAL
 2- SUPPLIED BY SANGAMO ELECTRIC CO. SPRINGFIELD ILL OR EQUAL

REQD	PART NO.	DESCRIPTION	MATL	MATL SPEC	UNIT WT.	ZONE
4	MC-1158-24	RESISTOR - 100K 1/2 W	CARBON	ALLEN BRADLEY #EB		
1	23	- 300K 1/2 W				EB
1	22	- 1800Ω 1/2 W				EB
1	21	- 68K 1W				GB
1	20	- 1200Ω 1/2 W				EB
1	19	- 180K 1/2 W				EB
1	18	- 120K 1/2 W				EB
2	17	- 12K 1W				GB
2	16	- 10K 1W				GB
2	15	- 220K 1/2 W				EB
1	14	- 470K 1/2 W				EB
1	13	- 1MEG 1/2 W				EB
1	12	- 33K 1W				GB
1	11	- 22K 1/2 W				EB
1	10	- 1.5MEG 1/2 W				EB
1	9	- 270K 1/2 W				EB
1	8	- 6800Ω 1/2 W				EB
1	7	- 5600Ω 1W				GB
1	6	- 8200Ω 2W				HB
1	5	- 1500Ω 1W				GB
1	4	RESISTOR - 56K 1/2 W	CARBON	ALLEN BRADLEY EB		
1	3	CAPACITOR - 270 MMFD	MICA	SANGAMO K1327		
1	2	CAPACITOR - .001 MFD	MICA	SANGAMO CR-1210		
2	MC1158-1	CAPACITOR - 510 MMFD	MICA	SANGAMO CR-1351		
1	MB1066	TERMINAL BOARD SUBASSY				

NOTICE TO PERSONS RECEIVING THIS DRAWING

THE TECHNICAL MATERIEL CORPORATION claims proprietary right in the material disclosed hereon. This drawing is issued in confidence for engineering information only and may not be reproduced or used to manufacture anything shown hereon without permission from THE TECHNICAL MATERIEL CORPORATION to the user. This drawing is loaned for mutual assistance and is subject to recall at any time.

Property of:
 THE TECHNICAL MATERIEL CORPORATION
 MAMARONECK, NEW YORK

UNLESS OTHERWISE SPECIFIED	AUTHENTICATION	TERMINAL BOARD ASSY SFO-2 REGENERATOR	THE TECHNICAL MATERIEL CORPORATION MAMARONECK, NEW YORK MC-1158
DIMENSIONS ARE IN INCHES	DRAWN TMC		
TOLERANCES ON FRACTIONS ±	TRACED		
DECIMALS ±	CHECKED TMC		
ANGLES ±	VERIFIED		
COMMERCIAL TOLERANCE APPLY TO STOCK SIZES	APPD REVD	DATE 22 MAY 50	SCALE 1/1