

IF IT IS FOUND DESIRABLE TO CHANGE ANY TOLERANCE OR OTHER DETAIL SPECIFIED ON THIS DRAWING NOTIFY THE PURCHASER PROMPTLY.

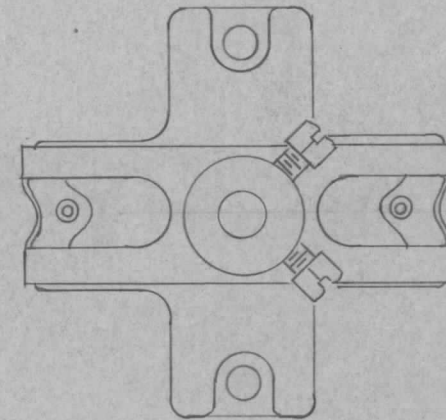
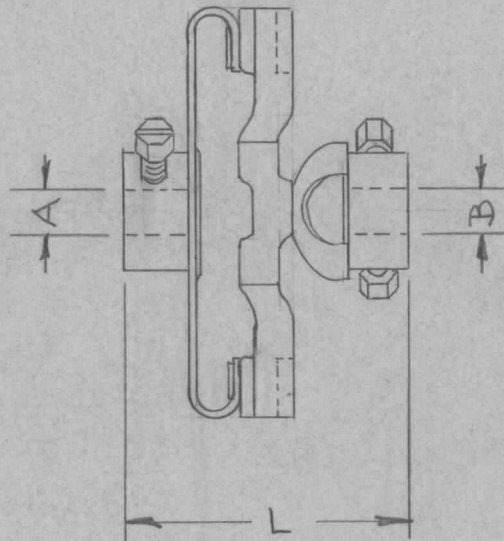
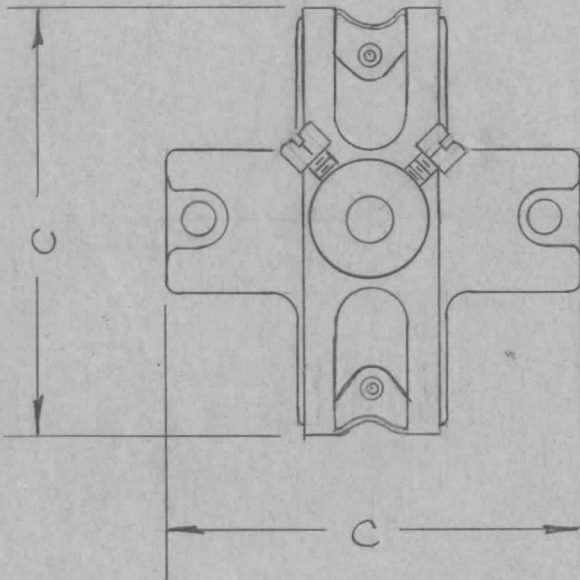
MC-112

MAXIMUM ALLOWABLE TOLERANCES HAVE BEEN DETERMINED AND DEVIATIONS WILL BE CAUSE FOR REJECTION.  
REMOVE ALL BURRS AND SHARP EDGES

USED ON

TMC NO	JOHNSON CAT. NO	MODULATED PEAK VOLT.	A	B	C	L
MC-112-1	104-251A	5,000	1/4	1/4	2 1/8	1 15/32

MODEL	PROJECT NO.	ASS'Y. NO.	DATE
TAC-1	132		7-24-53



REF: E.F. JOHNSON Co.

REQ.	ITEM	PART NO.	DESCRIPTION	SYMBOL
		#	THE TECHNICAL MATERIEL CORP. MAMARONECK. NEW YORK	
		STOCK SIZE		
		#	COUPLING, FLEXIBLE	
		MATERIAL		
		WEIGHT PER PC.		
		#		
		TYPE & TEMPER		
		#		
		HEAT TREAT. SPEC.		
		#		
		FINISH & SPEC. NO.		

ISSUE	ITEM	CHANGED FROM	DATE	CN. NO.	DRAFTS	CHECKER	ENG. APP.
TOLERANCES		SCALE		FULL			
ALL OTHERS	DEC. DIM. ± FRAC. DIM. ± ANGULAR DIM. ±	DRILL, PUNCH, COMMERCIAL STOCK SIZES AND MANUFACTURERS TOLERANCES ARE NOT INCLUDED.					

DATE 7-24-53  
DRAWN [Signature]  
ELEC. DES. APP. [Signature]  
MECH. DES. APP. [Signature]  
CHECKED [Signature]  
FINAL APPROVAL [Signature]

MC-112