

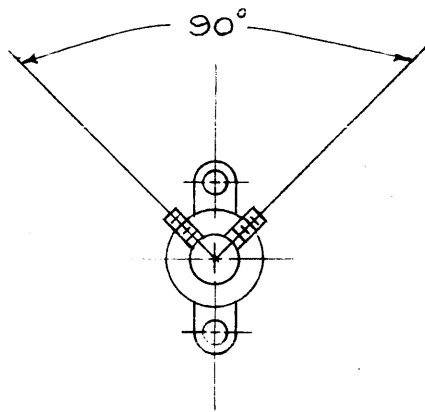
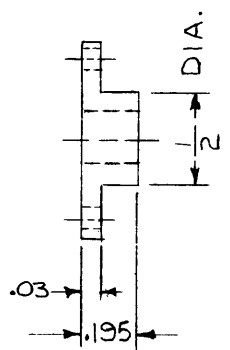
STANDARD DRAWING

F

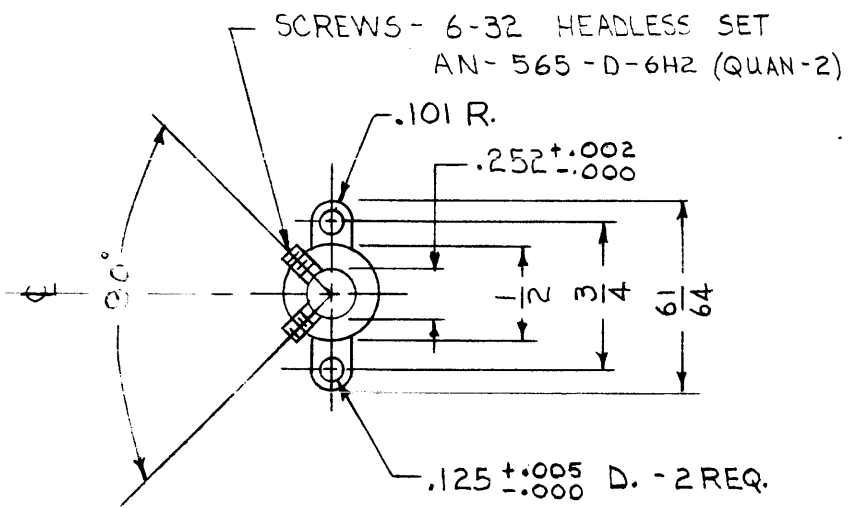
MC105

REVISIONS

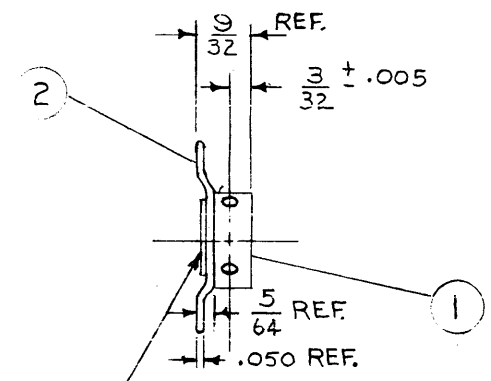
SYM	DESCRIPTION	DATE	E.M.N. NO.	DRAFT	CHKD	APPD
F	REDRAWN FR. SIZE 1, ADDED MC105-3 PICT.	7-25-66	16601	RME	<i>JB</i>	<i>X</i>



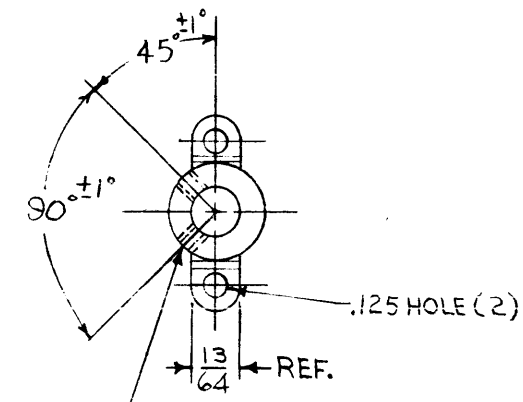
MC 105-1 (50683-3 MFG P/N)
MATERIAL & DIMENSIONS SAME AS
MC 105-2 UNLESS OTHERWISE SHOWN.



MC 105-2 (50683-4 MFG P/N)
MATERIAL: NICKEL SILVER



TAB - STAKED & SOLDERED TO HUB



MC 105-3 (13642 MFG P/N)
MATERIAL & FINISH: BRASS; NICKEL PLATE

#6-32 TAP THRU
- 2 HOLES -

NOTE:
TORQUE REQUIREMENT 15 IN. LBS. MIN.

NOTE: HEADLESS SET SCREWS TO BE
FURNISHED BY T.M.C. TO REPLACE
MANUFACTURER'S PHILISTER HEAD SCREWS
WHEN SUPPLIED (OPTIONAL)

REQ'D.	ITEM	PART NUMBER	DESCRIPTION	SYMBOL
--------	------	-------------	-------------	--------

LIST OF MATERIAL

MATERIAL: THE TECHNICAL MATERIEL CORP.
MAMARONECK, NEW YORK

FINISH: TITLE: COUPLING

UNLESS OTHERWISE SPECIFIED DIMENSIONS ARE IN INCHES AND INCLUDE CHEMICALLY APPLIED OR PLATED FINISHES	DRAWN: RME CHECKED: JDE	DATE: 7-25-66	FINAL APPROVAL: WDC	DATE:
---	----------------------------	---------------	---------------------	-------

DECIMALS: .X ± .05 .XX ± .01 .XXX ± .005	TOLERANCES	FRACTIONS: ± 1/64 ANGLES: ± 0° 30'	ELECT. DES. DATE	MECH. DES. DATE	MC105	F
--	------------	---------------------------------------	------------------	-----------------	-------	---

Q'TY./UNIT	MODEL USED ON	ASS'Y. NO.
SCALE	CODE	S401-358

THE CONTENTS OF THIS DRAWING ARE THE EXCLUSIVE PROPERTY
OF THE TECHNICAL MATERIEL CORP. ITS UNAUTHORIZED USE OR
REPRODUCTION IN WHOLE OR IN PART IS STRICTLY FORBIDDEN.

NOTES