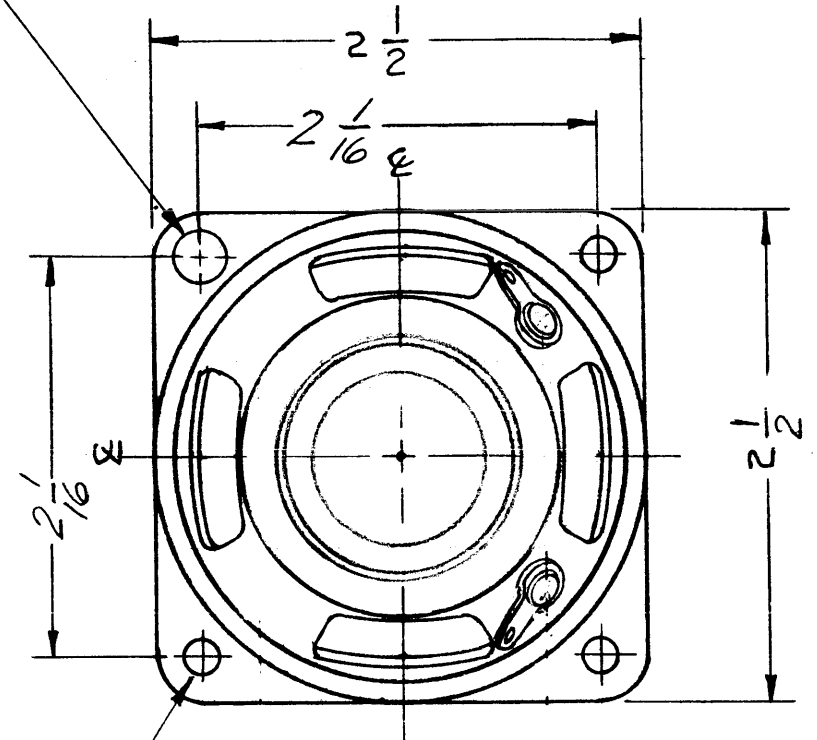


C
LS-106

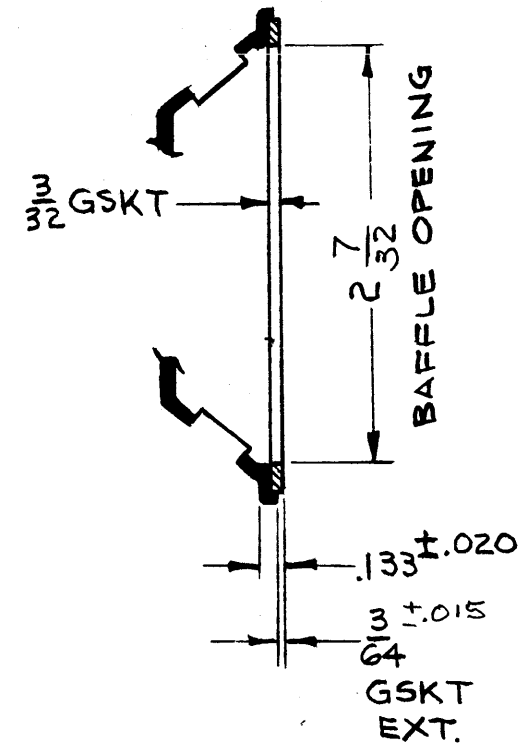
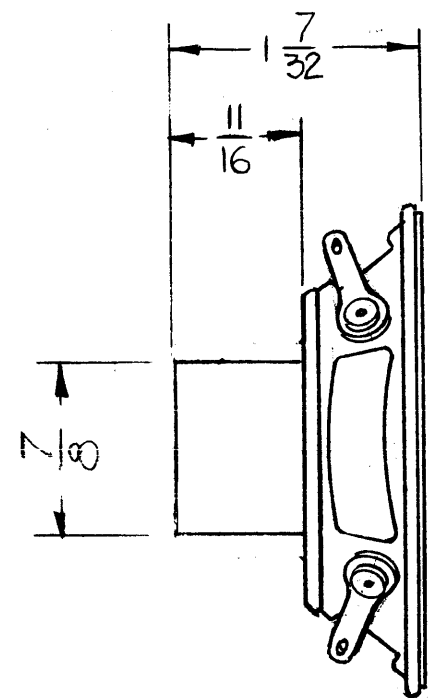
REVISIONS

SYM	DESCRIPTION	DATE	E.M.N. NO.	DRAFT	CHKD	APPD
A	DIM. 2 WAS 2.062 (2 PL.) , S401-338 ADDED MFR. REF. DELETED	11.3.64	12842	HTB	[Signature]	[Signature]
B	DIM 2 1/16 WAS 2 (2 PL.) NOTE: "THIS HOLE TO BE PUNCHED 9/32 DIA BY TMC" ADD.	11/3/69	19634	KH	[Signature]	OP [Signature]
C	DIM 2 1/2 WAS 2 17/32 . 1 7/32 WAS 1 19/32, 11/16 WAS 61/64 7/8 WAS 1 1/8 & 2 7/32 WAS 2 1/4	1-27-76	21352	SDL	[Signature]	[Signature]

THIS HOLE TO BE PUNCHED
TO 9/32 DIA. BY TMC.



.173 DIA. 4 HOLES



* SP25A; SP25 Y

SPECIFICATIONS

MECHANICAL :
 FRAME MATERIAL - COLD ROLLED STEEL
 FRAME FINISH - CADMIUM PLATE
 CONE SIZE - 2" DIA

ELECTRICAL :
 FREQUENCY RESPONSE -
 NORMAL OPER. FREQ. RANGE: 200 - 5000 CPS

MATCHING IMPEDANCE OF VOICE COIL 3-4 Ω
 VOICE COIL NOM. DIA. = 9/16
 INPUT WATTAGE DATA:
 NORMAL = 1W PEAK = 2 W

STANDARD DRAWING

REQ'D.	ITEM	PART NUMBER	DESCRIPTION	SYMBOL
KOHN LIST OF MATERIAL				
MATERIAL			THE TECHNICAL MATERIEL CORP. MAMARONECK. NEW YORK	
FINISH			TITLE LOUDSPEAKER, PERMANENT MAGNET	
UNLESS OTHERWISE SPECIFIED DIMENSIONS ARE IN INCHES AND INCLUDE CHEMICALLY APPLIED OR PLATED FINISHES		DRAWN [Signature]	DATE 5-15-63	FINAL APPROVAL [Signature]
		CHECKED [Signature]	DATE 5-15-63	
		ELECT. DES. [Signature]	DATE 5-15-63	LS-106
		MECH. DES. W. JORDAN	DATE 5-15-63	C
			SHEET	REV. LTR.

1	TTR-10	
Q'TY./UNIT	MODEL USED ON	ASS'Y. NO.
SCALE	CODE C	* S401-323
THE CONTENTS OF THIS DRAWING ARE THE EXCLUSIVE PROPERTY OF THE TECHNICAL MATERIEL CORP. ITS UNAUTHORIZED USE OR REPRODUCTION IN WHOLE OR IN PART IS STRICTLY FORBIDDEN.		

NOTES