

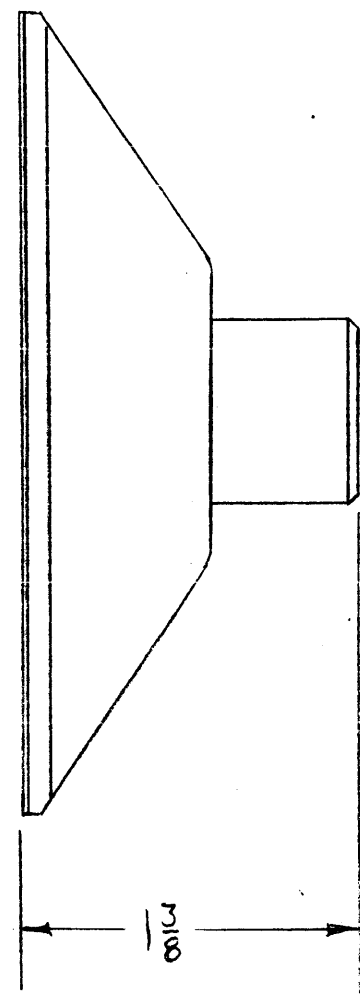
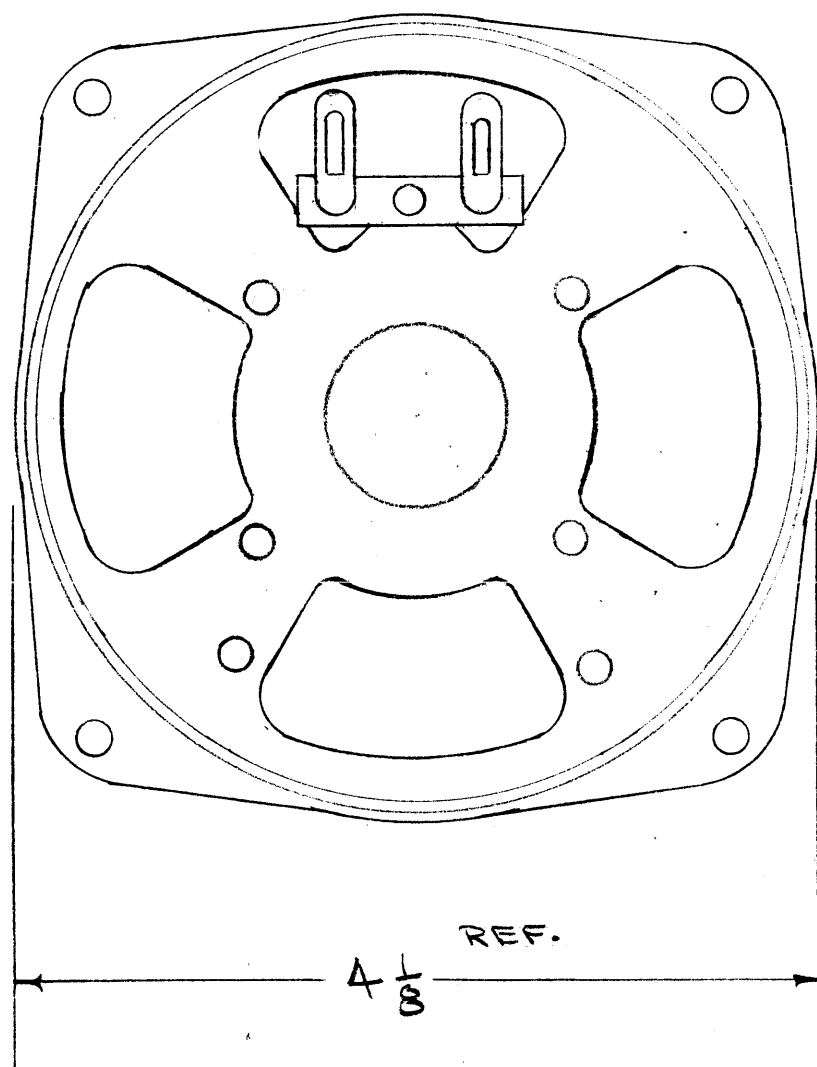
IF IT IS FOUND DESIRABLE TO CHANGE ANY TOLERANCE OR OTHER DETAIL SPECIFIED ON THIS DRAWING NOTIFY THE PURCHASER PROMPTLY.

MAXIMUM ALLOWABLE TOLERANCES HAVE BEEN DETERMINED AND DEVIATIONS WILL BE CAUSE FOR REJECTION. REMOVE ALL BURRS AND SHARP EDGES

LS-102 C

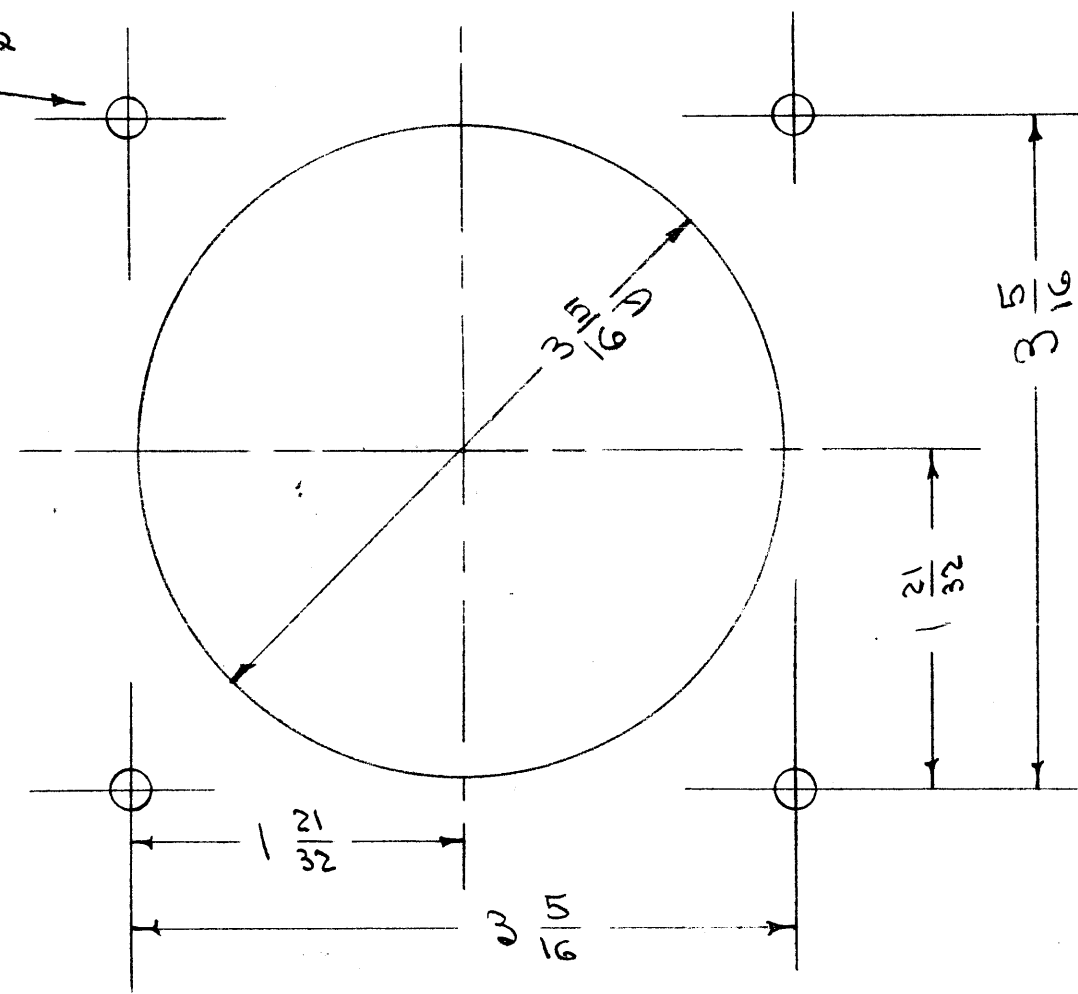
V.C. IMPEDANCE - 45-50 Ω  
 POWER - 2.0 WATTS  
 FIELD MAGNET .65 TO .70 OZ.

DRILLING PLAN



11/64 (.171) D. 4 REQ

TYPICAL APPEARANCE



C	1	BSP1D, 2D, 3D WAS 18, 28, 38	5/29/65	CC	CJC	JCH
B	3	INSPECS: FIELD MAGNET ADD.	11/2/64	12602	RF	CC
	2	ON SPECS: GAP ENERGY DELE.				
	1	PICT. & TITLE REVISED				
A	2	UTAH MFG. # ADDED	1/2/58	1	JCH	ATT
	1	Jensen MFG # P4X-ST739 DELETED				

ISSUE	ITEM	CHANGED FROM	DATE	CN. NO.	DRAFTS	CHECKER	ENG. APP.
TOLERANCES		SCALE: 5401-323 (SP4A1) 5401-311 (4A07Z45)					
ALL OTHERS	DEC. DIM. ±	DRILL, PUNCH, COMMERCIAL STOCK					
	FRAC. DIM. ±	SIZES AND MANUFACTURERS					
	ANGULAR DIM. ±	TOLERANCES ARE NOT INCLUDED.					

3	BSP3D				
2	BSP2D				
1	BSP1D				
1	RSC-2			10-27-54	
REQ PER UNIT	MODEL	PROJECT NO.	ASS'Y. NO.	DATE	
					USED ON

REQ. ITEM	PART NO.	DESCRIPTION	SYMBOL
		THE TECHNICAL MATERIEL CORP.	
STOCK SIZE		MAMARONECK. NEW YORK	
		LOUDSPEAKER, PM, 4 IN.	
MATERIAL	WEIGHT PER PC.		
TYPE & TEMPER		CDD. 10-27-54	K2
HEAT TREAT. SPEC.		11/2/54	A.J.T.
FINI H & SPEC. NO.			LS-102 C