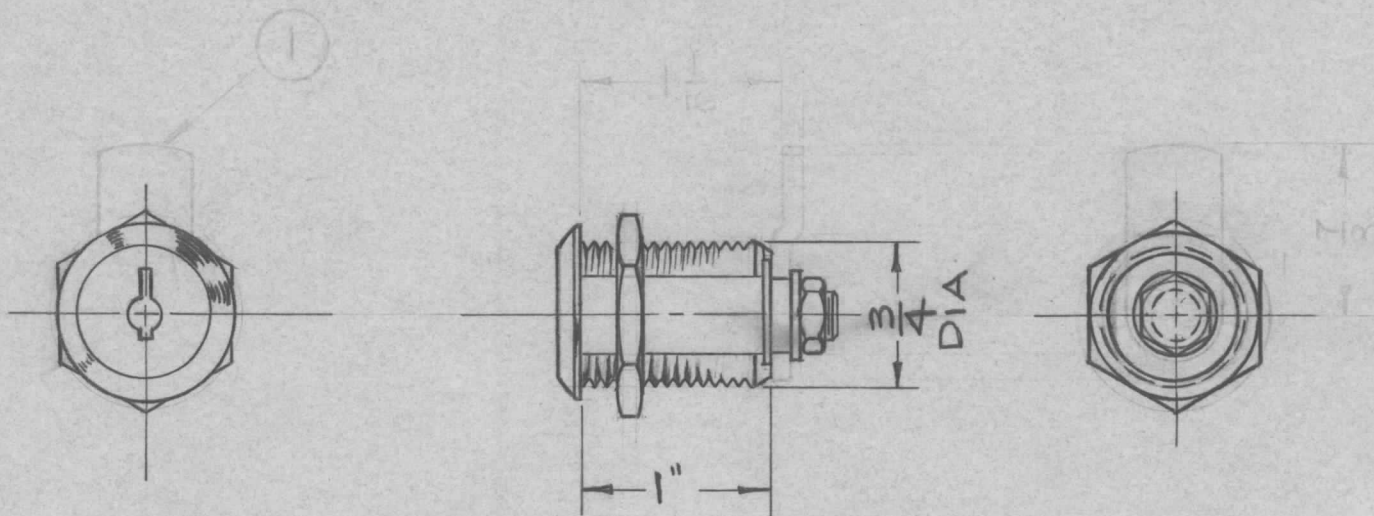


THE CONTENTS OF THIS DRAWING ARE THE EXCLUSIVE PROPERTY OF THE TECHNICAL MATERIEL CORP. ITS UNAUTHORIZED USE FOR REPRODUCTION IN WHOLE OR IN PART IS STRICTLY FORBIDDEN.

REQ. PER UNIT	USED ON			LK-103
	MODEL	ASS'Y. NO.	DATE	
1	RAK-215			
	RAK-224			



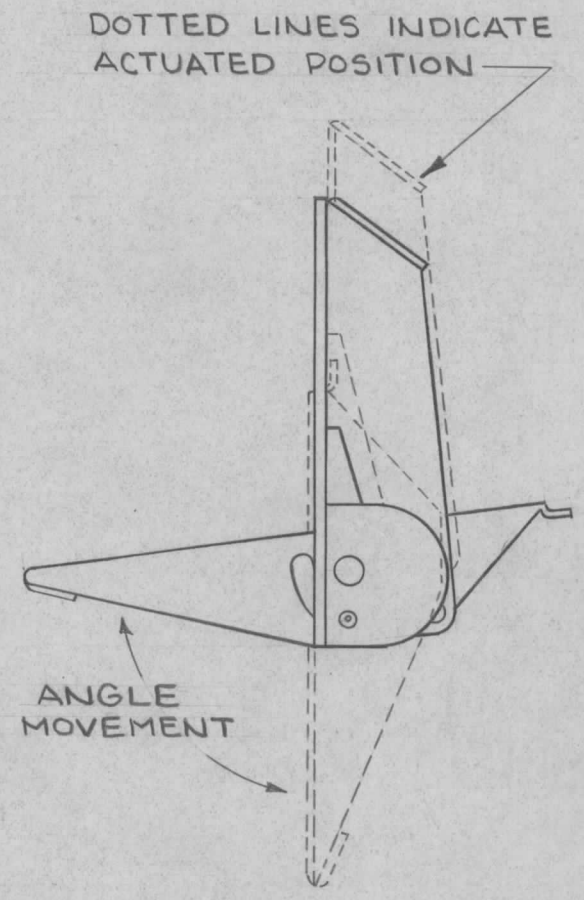
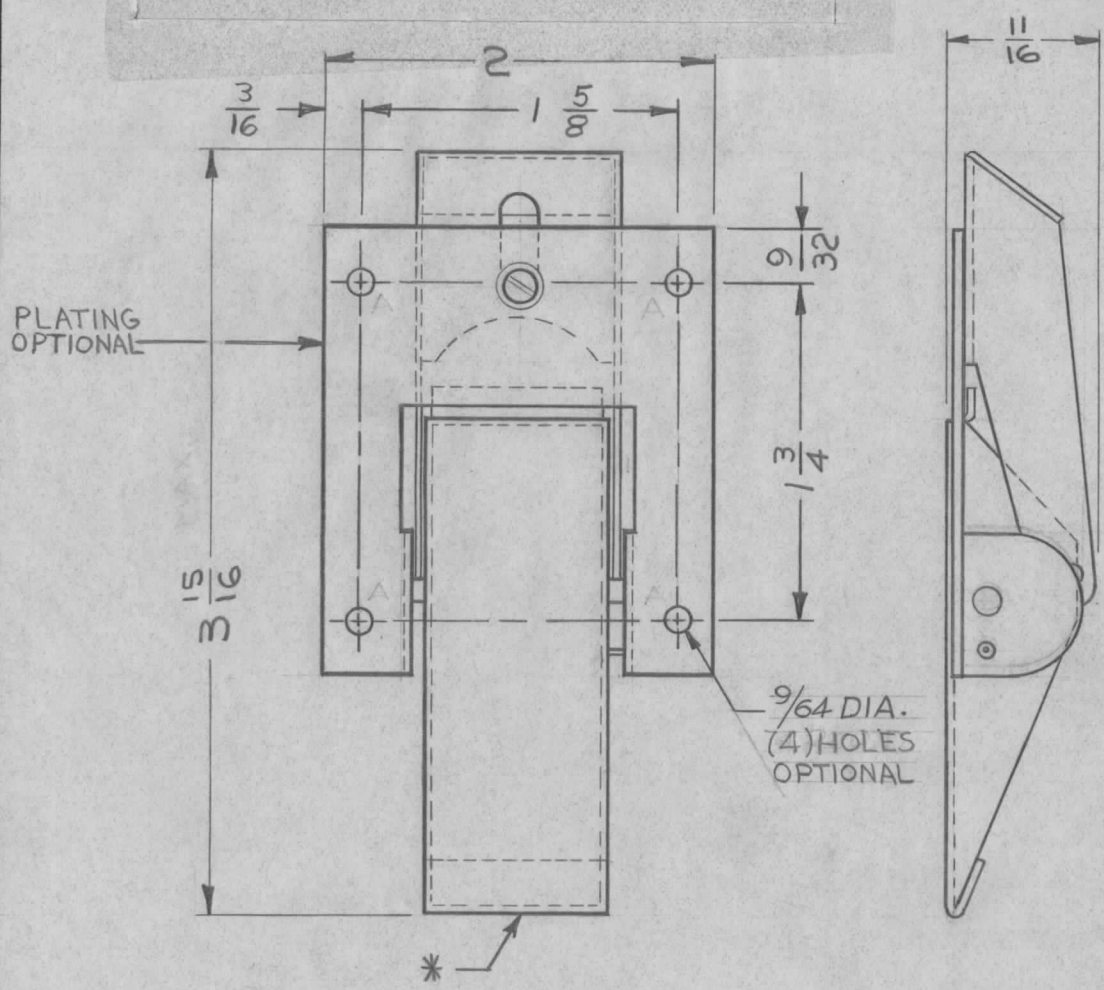
MFR TO SUPPLY 2 BRASS, NICKEL PLATED KEYS.

REF: CORBIN LOCK CO., # 15753XC2S

REQ.	ITEM	PART NO.	DESCRIPTION			SYMBOL
			THE TECHNICAL MATERIEL CORP. MAMARONECK, NEW YORK			
			LOCK, DISC TUMBLER			
			DISC TUMBLER			
SYM	DESCRIPTION	DATE	CH. NO.	DRAFTS	CHECKER	ENG. APP.
UNLESS OTHERWISE SPECIFIED DIMENSIONS ARE IN INCHES AND INCLUDE CHEMICALLY APPLIED OR PLATED FINISHES		SCALE NO SCALE				
DECIMALS .X ± .05 .XX ± .01 .XXX ± .005		FRACTIONS ± 1/64 ANGLES ± 0° 30'		CODE		
TOLERANCES		FINISH & SPEC. NO.				
		TYPE & TEMPER		HEAT TREAT. SPEC.		DRAWN
		NICKEL PLATED				CHECKED
						FINAL APPROVAL
						LK-103

FINISH NOTE: CHROMIUM PLATED
 * PER FED. SPEC QQ-C-320, CL-1, TYPE I

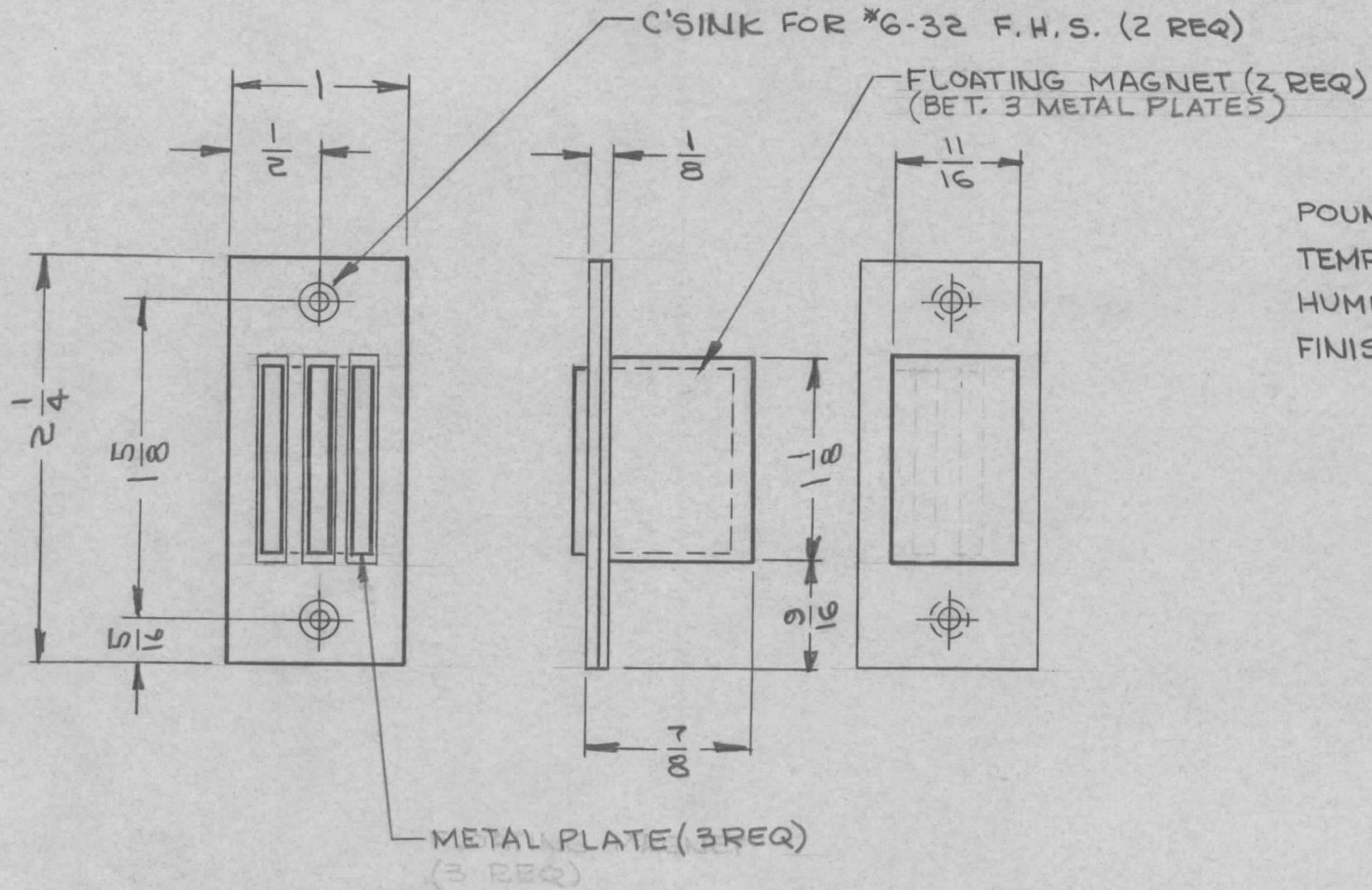
REQ. PER UNIT	USED ON		LK-104	B
	MODEL	ASS'Y. NO.		
1	CONSOLE	MS-1746	2-27-64	



REQ. ITEM	PART NO.	DESCRIPTION	SYMBOL
B	ADDED *'S & PLATING-OPTIONAL DIM 9/64 WAS 4 REQ'D	7-26-66 16629 RME	<i>CP</i>
A	4 HOLES 9/64 DIA. ADDED	6/11/64 11551 A.M.	<i>@</i>
O	ORIGINAL RELEASE FOR PRODUCTION	3/3/64 1	<i>GA</i>
SYM	DESCRIPTION	DATE	CH. NO. DRAFTS CHECKER ENG. APP.
UNLESS OTHERWISE SPECIFIED DIMENSIONS ARE IN INCHES AND INCLUDE CHEMICALLY APPLIED OR PLATED FINISHES		SCALE	<i>1</i>
DECIMALS .X ± .05 .XX ± .01 .XXX ± .005	TOLERANCES	FRACTIONS ± 1/64 ANGLES ± 0° 30'	CODE C
SEE NOTE		5401-271 (9347)	
TYPE & TEMPER	HEAT TREAT. SPEC.	DRAWN	CHECKED
STEEL		<i>G. Sencen</i>	<i>@ 3-3-64</i>
FINISH & SPEC. NO.		ELEC. DES. APP.	MECH. DES. APP.
		<i>3/5/64</i>	<i>3/6/64</i>
		LK-104	B

THE TECHNICAL MATERIEL CORP.
 MAMARONECK, NEW YORK
 LATCH, REAR COVER

REQ. PER UNIT	USED ON			LK105	Φ
	MODEL	ASS'Y. NO.	DATE		
	RAK102	A3868	10-14-64		



POUND PULL: 11 LB. NOMINAL
 TEMPERATURE: UP TO 50°C.
 HUMIDITY: UP TO 90%
 FINISH: ANODIZED FACE PLATE.

REF. ENGINEERING PRODUCTS CO # 556

REQ.	ITEM	PART NO.	STURMER	DESCRIPTION	SYMBOL	
Φ				THE TECHNICAL MATERIEL CORP. MAMARONECK, NEW YORK		
X				LATCH, MAGNETIC		
SYM	DESCRIPTION	DATE	CH. NO.	DRAFTS	CHECKER	ENG. APP.
	UNLESS OTHERWISE SPECIFIED DIMENSIONS ARE IN INCHES AND INCLUDE CHEMICALLY APPLIED OR PLATED FINISHES	SCALE				
DECIMALS .X ± .05 .XX ± .01 .XXX ± .005	TOLERANCES	FRACTIONS ± 1/64 ANGLES ± 0° 30'	CODE C	5401-355(556)		
	SEE NOTES					
	FINISH & SPEC. NO.	ELEC. DES. APP.	MECH. DES. APP.			
						LK105 Φ