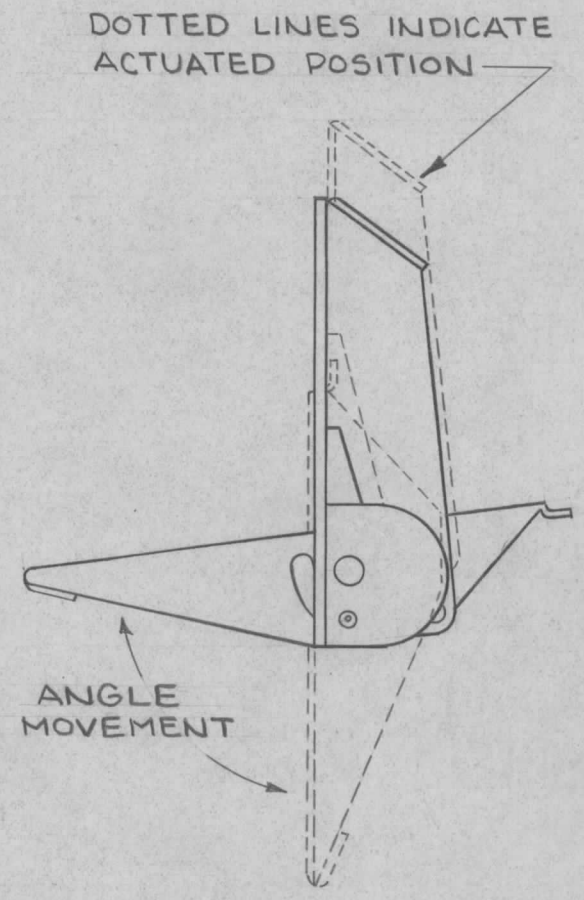
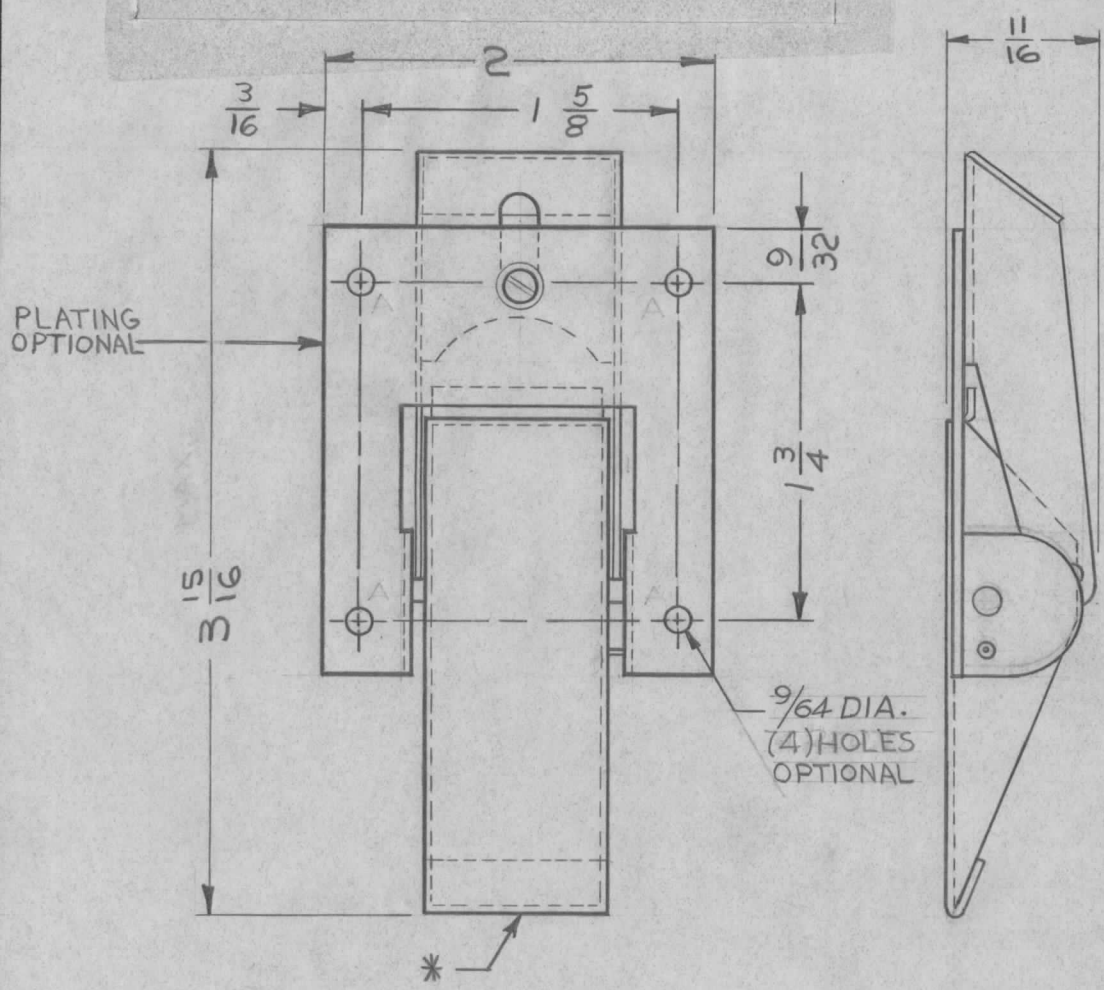


FINISH NOTE: CHROMIUM PLATED
 * PER FED. SPEC QQ-C-320, CL-1, TYPE I

REQ. PER UNIT	USED ON		LK-104	B
	MODEL	ASS'Y. NO.		
1	CONSOLE	MS-1746	2-27-64	



REQ. ITEM	PART NO.	DESCRIPTION	SYMBOL
B	ADDED *'S & PLATING-OPTIONAL DIM 9/64 WAS 4 REQ'D	7-26-66 16629 RME	<i>CP</i>
A	4 HOLES 9/64 DIA. ADDED	6/11/64 11551 A.M.	<i>@</i>
O	ORIGINAL RELEASE FOR PRODUCTION	3/3/64 1	<i>GA</i>
SYM	DESCRIPTION	DATE	CH. NO. DRAFTS CHECKER ENG. APP.
UNLESS OTHERWISE SPECIFIED DIMENSIONS ARE IN INCHES AND INCLUDE CHEMICALLY APPLIED OR PLATED FINISHES		SCALE	<i>1</i>
DECIMALS .X ± .05 .XX ± .01 .XXX ± .005	TOLERANCES	FRACTIONS ± 1/64 ANGLES ± 0° 30'	CODE C
SEE NOTE		5401-271 (9347)	
TYPE & TEMPER	HEAT TREAT. SPEC.	DRAWN	CHECKED
STEEL		<i>G. Sencer @ 3-3-64</i>	<i>RJC 3/6/64</i>
FINISH & SPEC. NO.		ELEC. DES. APP.	MECH. DES. APP.
		<i>3/5/64</i>	<i>3/6/64</i>
		LK-104	B

THE TECHNICAL MATERIEL CORP.
 MAMARONECK, NEW YORK
 LATCH, REAR COVER