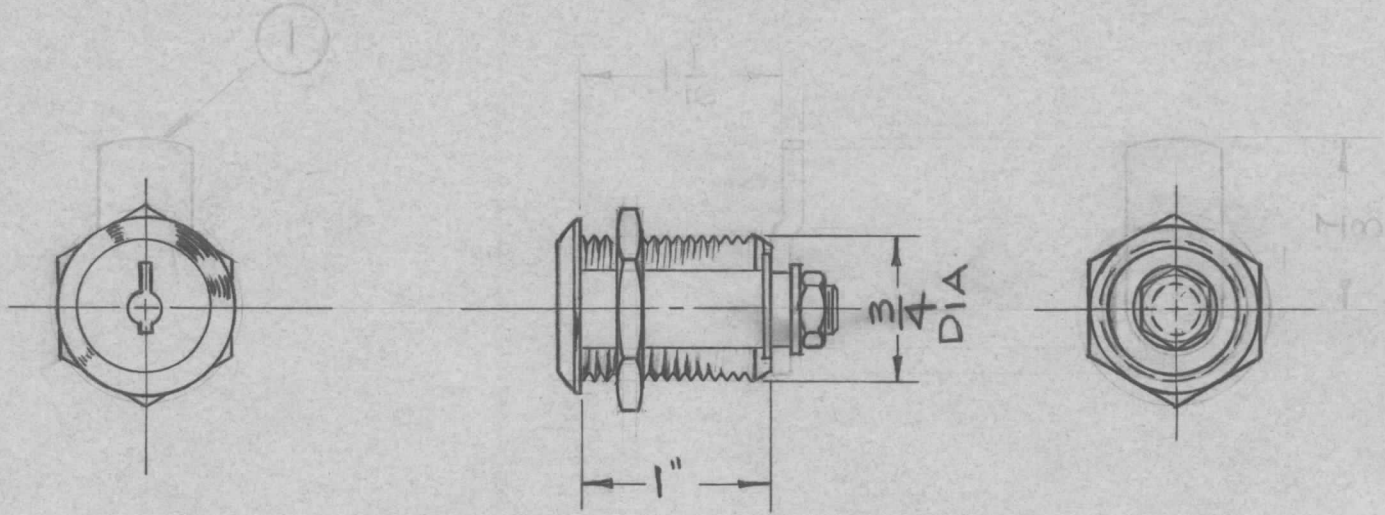


THE CONTENTS OF THIS DRAWING ARE THE EXCLUSIVE PROPERTY OF THE TECHNICAL MATERIEL CORP. ITS UNAUTHORIZED USE FOR REPRODUCTION IN WHOLE OR IN PART IS STRICTLY FORBIDDEN.

REQ. PER UNIT	USED ON			LK-103
	MODEL	ASS'Y. NO.	DATE	
	1 RAK-215			



MFR TO SUPPLY 2 BRASS, NICKEL PLATED KEYS.

REF: CORBIN LOCK CO., # 15753XC2S

REQ.	ITEM	PART NO.	DESCRIPTION			SYMBOL
			THE TECHNICAL MATERIEL CORP. MAMARONECK, NEW YORK			
			LOCK, DISC TUMBLER			
			DISC TUMBLER			
SYM	DESCRIPTION	DATE	CH. NO.	DRAFTS	CHECKER	ENG. APP.
UNLESS OTHERWISE SPECIFIED DIMENSIONS ARE IN INCHES AND INCLUDE CHEMICALLY APPLIED OR PLATED FINISHES		SCALE NO SCALE				
DECIMALS .X ± .05 .XX ± .01 .XXX ± .005	TOLERANCES	FRACTIONS ± 1/64 ANGLES ± 0° 30'	CODE			
NICKEL PLATED		FINISH & SPEC. NO.		ELEC. DES. APP.	MECH. DES. APP.	LK-103
			TYPE & TEMPER	HEAT TREAT. SPEC.	DRAWN	CHECKED
					<i>JAB</i>	<i>JDe</i>
					FINAL APPROVAL <i>BP</i>	