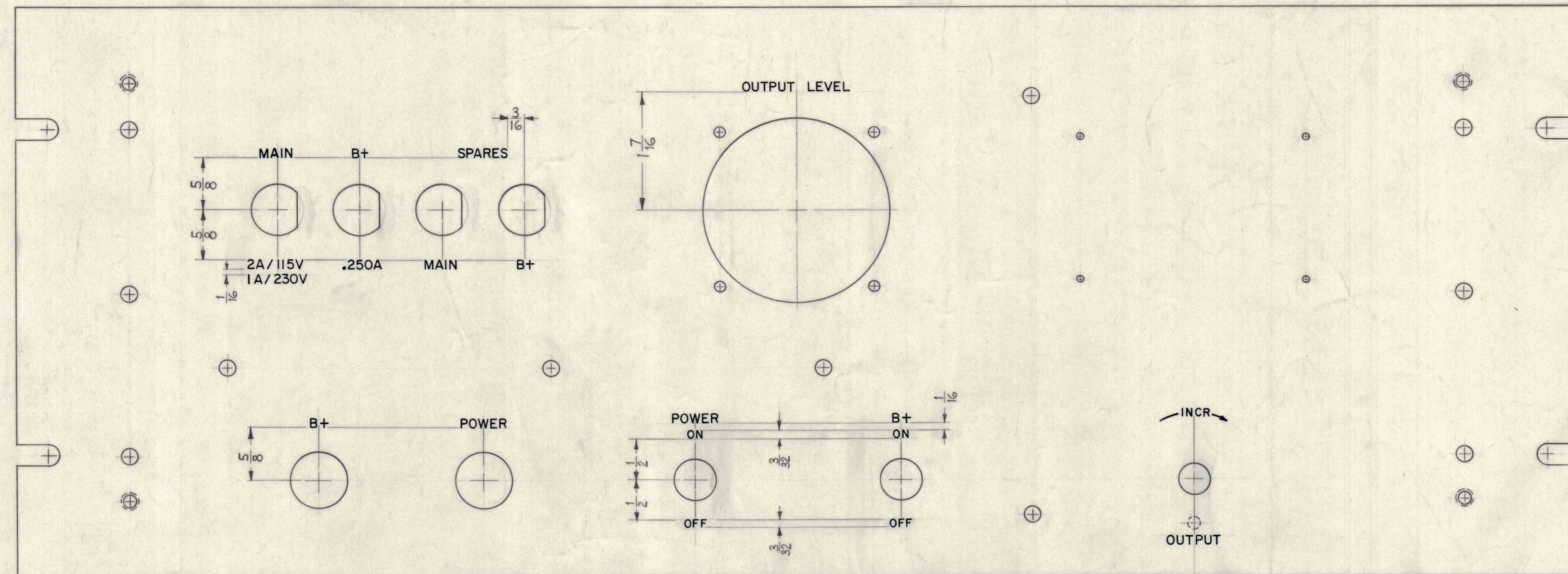
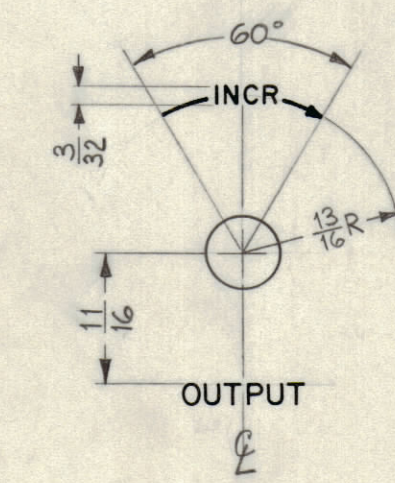


NOTICE TO PERSONS RECEIVING THIS DRAWING
 THE TECHNICAL MATERIEL CORPORATION claims proprietary right in the material disclosed herein. This drawing is issued in confidence for engineering information only and may not be reproduced or used to manufacture anything shown hereon without permission from THE TECHNICAL MATERIEL CORPORATION to the user. This drawing is loaned for mutual assistance and is subject to recall at any time.
 Property of:
 THE TECHNICAL MATERIEL CORPORATION
 MAMARONECK, NEW YORK



UNLESS OTHERWISE SPECIFIED~
 1-ALL ENGRAVING TO BE 1/8 HIGH WHITE FILLED GOTHIC.
 2-ALL LINES TO BE WHITE FILLED.
 3-ALL ARROWHEADS TO BE WHITE FILLED.

LETTER HEIGHT	DEPTH OF STROKE	WIDTH OF STROKE
3/32	.010	.015
1/8	.010	.020
LINES	.010	.015
ARROWHEADS	.010	



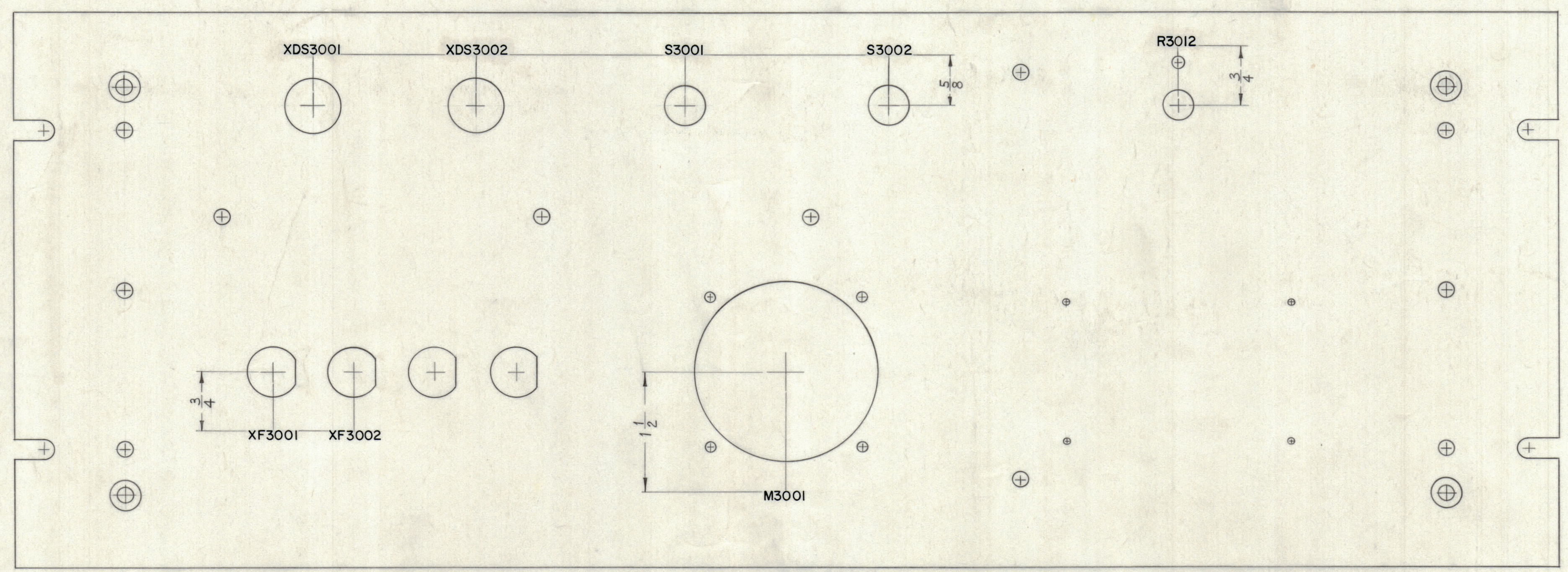
LD-996

SYM	ZONE	DESCRIPTION	DATE	CH. NO.	DRAFTS	CHECKER	ENG. APP.
UNLESS OTHERWISE SPECIFIED:							
DIMENSIONS ARE IN INCHES			SCALE				
TOLERANCES ON FRACTIONS ± 1/64			MAXIMUM ALLOWABLE TOLERANCES HAVE BEEN DETERMINED AND ANY DEVIATIONS WILL BE CAUSE FOR REJECTION. REMOVE ALL BURRS & SHARP EDGES				
DECIMALS ± .005			ANGLES ± 1/2°				

REF: MS-2730 (B).

REQ. PER UNIT	MODEL	SECTION	ASS'Y. NO.	DATE	TYPE & TEMPER	HEAT TREAT. SPEC.	FINISH & SPEC. NO.	ELEC. DES. APP.	MECH. DES. APP.	SHEET 1 OF 2
1	LFA-2			10-26-61						LD-996
DEFIANCE NO. 1000 54185										

NOTICE TO PERSONS RECEIVING THIS DRAWING
 THE TECHNICAL MATERIEL CORPORATION claims proprietary right in the material disclosed herein. This drawing is issued in confidence for engineering information only and may not be reproduced or used to manufacture anything shown hereon without permission from THE TECHNICAL MATERIEL CORPORATION to the user. This drawing is loaned for mutual assistance and is subject to recall at any time.
 Property of:
 THE TECHNICAL MATERIEL CORPORATION
 MAMARONECK, NEW YORK



— TOP OF PANEL —

ALL LETTERING TO BE 1/8 HIGH BLACK GOTHIC,
 SILK SCREEN OR EQUIVALENT AS SHOWN
 ALL LETTER GROUPS TO BE CENTERED ON
 HOLES OR INDICATING LINES UNLESS
 OTHERWISE SPECIFIED

LD-996

REF: MS-2730 (B)

SYM	ZONE	DESCRIPTION	DATE	CH. NO.	DRAFTS	CHECKER	ENG. APP.

UNLESS OTHERWISE SPECIFIED:
 DIMENSIONS ARE IN INCHES
 TOLERANCES ON FRACTIONS $\pm 1/64$ DECIMALS $\pm .005$ ANGLES $\pm 1/2^\circ$

SCALE
 MAXIMUM ALLOWABLE TOLERANCES HAVE BEEN DETERMINED AND ANY DEVIATIONS WILL BE CAUSE FOR REJECTION. REMOVE ALL BURRS & SHARP EDGES

REQ. PER UNIT	MODEL	SECTION	ASS'Y. NO.	DATE	TYPE & TEMPER	HEAT TREAT. SPEC.	FINISH & SPEC. NO.	DESCRIPTION	SYMBOL
1	LFA-2			12-13-61				THE TECHNICAL MATERIEL CORP. MAMARONECK, NEW YORK LETTERING, REAR PANEL (LFA-2)	
								MATERIAL	
								STOCK SIZE	

USED ON

DEFIANCE NO. 1023